

LIGHTING INSTRUCTIONS

SAFETY PILOT CONTROL (SPC)

YOUR GAS LOG SET IS EQUIPPED WITH A SAFETY PILOT CONTROL (SPC) FOR NATURAL GAS. THE SPC COMBINES SAFETY AND CONVENIENCE FOR YOUR ADDED ENJOYMENT. PLEASE TAKE A FEW MINUTES TO STUDY THESE INSTRUCTIONS WHICH WILL ASSIST IN A SIMPLIFIED INSTALLATION AND MAKE YOU AWARE OF SOME NECESSARY PRECAUTIONS.

TWO MAIN FEATURES ARE:

- IT AUTOMATICALLY SHUTS OFF THE GAS IF THE PILOT LIGHT IS EXTINGUISHED FOR ANY REASON
- IT ALLOWS ON/OFF FLAME CONTROL WITHOUT THE USE OF A MATCH.

PARTS LIST

1. SPC-C CONTROL VALVE AND DIAL
2. EH-3 3" EXTENSION HANDLE
3. OA ORIFICE ADAPTER
4. BC-3/8 3/8" BRASS COUPLER
5. HS HEAT SHIELD
6. RW ROCK WOOL INSULATION
7. BU-3/8 BRASS HALF UNION-3/8" MIP x 3/8" FLARE
8. TPB-18 THERMOCOUPLE & PILOT BURNER ASSY, 18" LONG

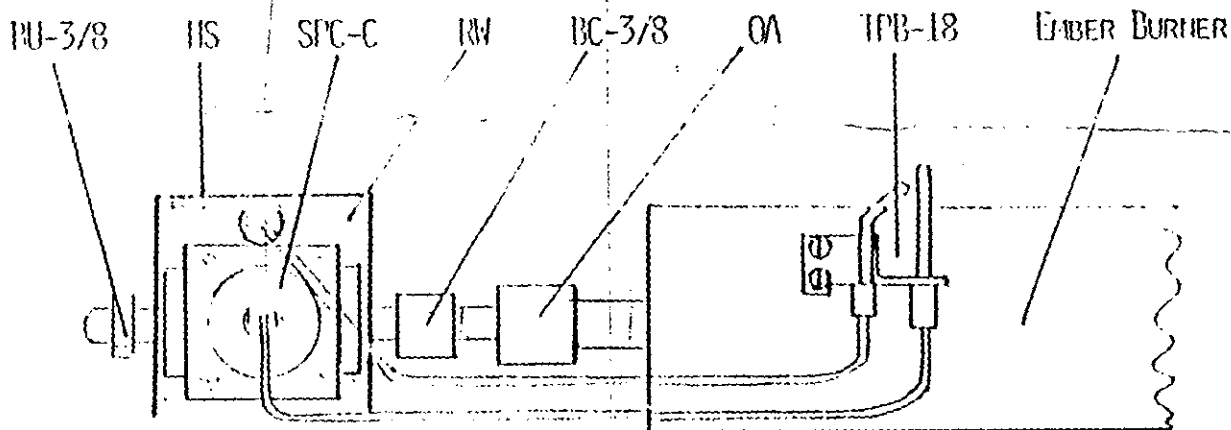
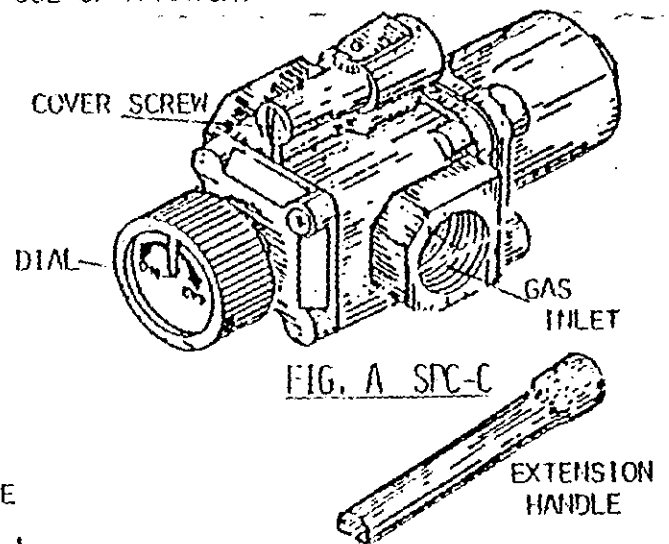


FIG. B BACK VIEW OF SAFETY PILOT CONTROL INSTALLATION

HARGROVE MANUFACTURING CORPORATION

STEP 1

POSITION EMBER BURNER IN FIREPLACE ACCORDING TO INSTALLATION INSTRUCTIONS. CONNECT THE GAS SUPPLY TO BRASS HALF UNION (BU 3/8") ON THE "IN" SIDE OF SPC-C WITH ALUMINUM CONNECTOR. OPEN DAMPER. TURN GAS SUPPLY ON AND CHECK FOR LEAKS USING A SOAPY WATER SOLUTION. DO NOT USE FLAME TO CHECK FOR LEAKS.

STEP 2

LIGHT THE PILOT BY DEPRESSING THE VALVE KNOB AND TURNING CLOCKWISE TO "OFF". WAIT FIVE MINUTES. TURN KNOB COUNTER-CLOCKWISE UNTIL ARROW IS "UP". POSITION A LIGHTED MATCH NEXT TO THE PILOT BURNER AND DEPRESS KNOB, LIGHTING THE PILOT. DEPRESS DIAL FOR 60 SECONDS OR UNTIL PILOT REMAINS LIT AFTER KNOB IS RELEASED. TO LIGHT THE BURNER, TURN THE KNOB COUNTER-CLOCKWISE TO "ON" POSITION. FOR A COMPLETE SHUT DOWN, DEPRESS VALVE KNOB AND TURN CLOCKWISE TO "OFF".

STEP 3

TO ADJUST THE FLAME ON THE PILOT BURNER, REMOVE THE SLOTTED COVER SCREW JUST ABOVE THE DIAL. THE RECESSED BRASS ADJUSTMENT SCREW SHOULD BE TURNED CLOCKWISE UNTIL THE FLAME BECOMES LAZY. TURN THE ADJUSTMENT SCREW BACK COUNTER CLOCKWISE JUST UNTIL THE STRONG FLAME RETURNS.

REMOVE THE DIAL IN ORDER TO PLACE THE HANDLE EXTENSION IN PLACE. PLACE THE DIAL ONTO THE HANDLE EXTENSION. REMOVE THE HEAT SHIELD (HS) AND PLACE ROCK WOOL (RW) INSULATION AROUND THE SPC-C. REPLACE HS OVER SPC-C.

STEP 4

TO COMPLETE INSTALLATION, CONTINUE WITH THE "INSTALLATION INSTRUCTIONS" FOR THE GAS LOG SET.

* F O R Y O U R S A F E T Y *

- ALWAYS ALLOW A FIVE MINUTE COMPLETE SHUTOFF PERIOD BEFORE RELIGHTING THE APPLIANCE.
- PERIODICALLY VISUALLY CHECK THE PILOT AND MAIN BURNER FOR PROPER FLAMES.
- REPLACEMENT PARTS CAN BE ORDERED THROUGH YOUR RETAILER.

