

# HARDT EQUIPMENT MANUFACTURING INC.

1550 52nd AVE., LACHINE (MONTREAL), QUEBEC, CANADA H8T 2X9 TEL (514) 631-7271 FAX (514) 631-7273

## KENNY ROGERS KR-D1 DELIVERY INFORMATION INSTALLATION REQUIREMENTS

### PRIOR TO DELIVERY

Before placing the HARDT KR-D1 rotisserie in position you must have made provisions for the following:

1. a venting canopy
2. a fire suppression system
3. a gas supply
4. a water supply
5. a drain / grease trap
6. an electrical supply

Please refer to the 'INSTALLATION GUIDE' for order of connection to the rotisserie once it is in place, as well as other important installation information.

### ON DELIVERY

The HARDT KR-D1 rotisserie is constructed in the form of a steel frame that becomes the main structure. All parts of the rotisserie drive, the individual burner systems, and all associated electrical and mechanical hardware are assembled into this structure. The rotisserie is shipped completely assembled with the exception the legs, the 10" front plate, and the fire bricks as well as the optional doors and stainless steel front shelf if these are ordered. All firebrick installation is done on site.

#### **DIMENSIONS:**

CRATED W/O DOORS:	70"H x 88"W x 60"D
CRATED W/ DOORS:	84"H x 88"W x 60"D
UNCRATED ON LEGS:	81"H x 82"W x 54"D

#### **WEIGHTS:**

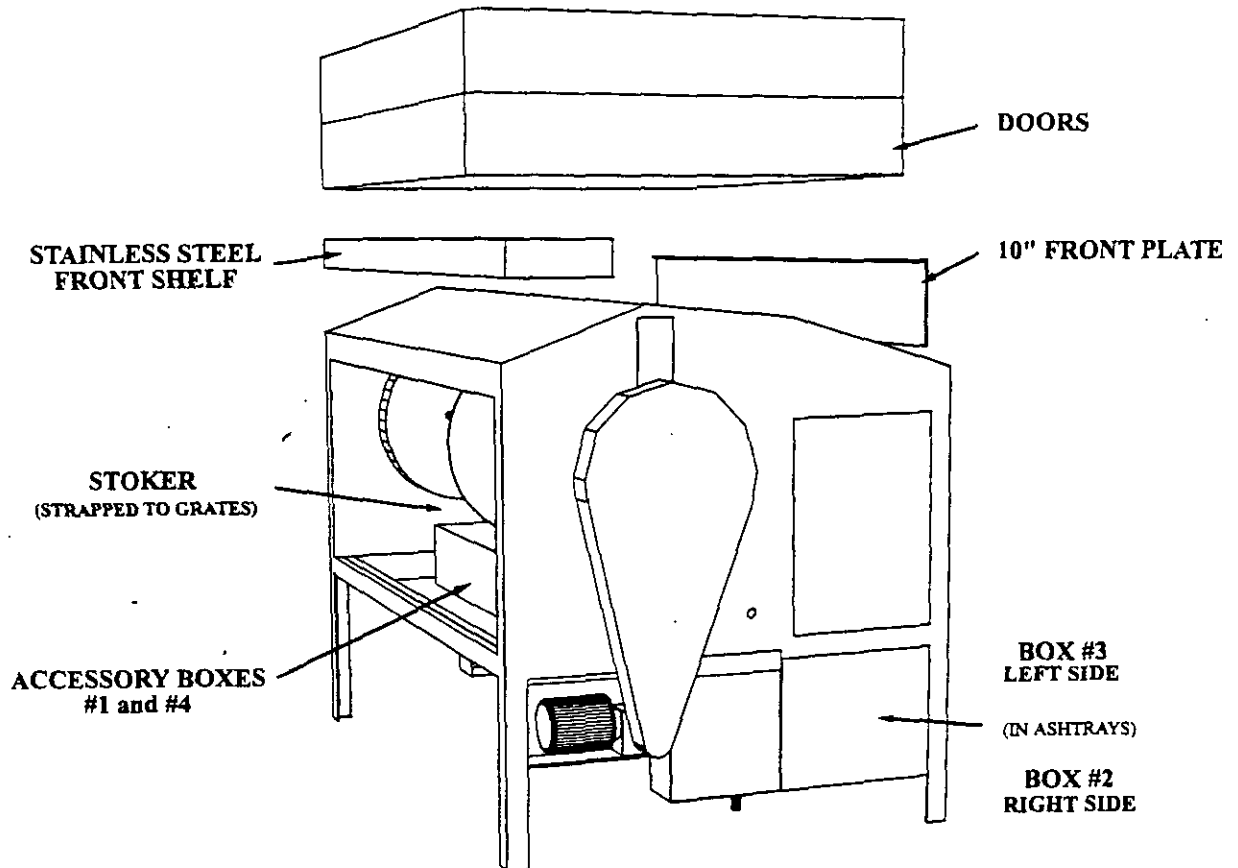
CRATED W/O DOORS:	2200 lbs
CRATED W/DOORS:	2400 lbs

EFFECTIVE 04/94

# HARDT EQUIPMENT MANUFACTURING INC.

1550 52nd AVE., LACHINE (MONTREAL), QUEBEC, CANADA H8T 2X9 TEL (514) 631-7271 FAX (514) 631-7273

## LOCATION OF ACCESSORIES AS SHIPPED



The KR-D1 rotisserie is shipped with its accessories packed as shown in the above diagram. Accessory boxes 1 through 4 contain the parts listed below. Please verify that all components listed have arrived in good condition after transport.

**BOX #1:** Overflow/drain set, thermometers, door handles, burner brush, operation manual.

**BOX #2:** Skewers (quantity varies with order).

**BOX #3:** 4 legs, bolts/nuts for legs, wall-mount plate.

**BOX #4:** Ceramic logs (20).

# HARDT EQUIPMENT MANUFACTURING INC.

1550 52nd AVE., LACHINE (MONTREAL), QUEBEC, CANADA H8T 2X9 TEL (514) 631-7271 FAX (514) 631-7273

## KENNY ROGERS KR-D1 INSTALLATION INFORMATION

UL LISTING AND SAFETY WARNING	4
ORDER OF INSTALLATION	7
VENTING INSTRUCTIONS	7
POSITIONING OF ROTISSERIE	8
FIRE SUPPRESSION SYSTEM	8
INSTALLATION OF BRICKS	8
INSTALLATION OF GAS SUPPLY	10
INSTALLATION OF ELECTRICAL SUPPLY	11
INSTALLATION OF DRAIN	11
INSTALLATION OF OVERFLOW	11
INSTALLATION OF WATER SUPPLY	12
EXTERNAL BRICK STRUCTURE	12
PLACEMENT OF CERAMIC LOGS	13
LOCATION OF COMPONENTS AND CONNECTIONS	14

# HARDT EQUIPMENT MANUFACTURING INC.

1550 52nd AVE., LACHINE (MONTREAL), QUEBEC, CANADA H8T 2X9 TEL (514) 631-7271 FAX (514) 631-7273

*Warranty is conditional on proper installation as per the installation instructions in our 'INSTALLATION INFORMATION' section. Should the rotisserie be improperly installed and service be performed, all charges will be invoiced to the individual who requested the service. Please call our service department if you have any questions whatsoever.*

## ORDER OF INSTALLATION

1. Place HARDT KR-D1 rotisserie in position.
2. Install the fire suppression system into the rotisserie.
3. Install the firebricks within the rotisserie.
4. Connect gas, electricity, and plumbing to the rotisserie.
5. Construct the brick exterior.
6. Install venting system.

## VENTING INSTRUCTIONS

It is mandatory that a hood / canopy type vent be used with the HARDT KR-D1 rotisserie. Please contact the head office of 'Kenny Rogers Roasters' and they will assist you with a hood supplier that manufactures hoods which conform to their specialized design as well as local codes.

Please ensure that the hood / canopy vent is properly positioned in relation to the rotisserie; overhanging the front of the rotisserie by 24".

Please contact Jim Powers of CaptivAir for detailed information on the 'Test and Balance' procedures to be followed to ensure the proper functioning of the ventilation system. The telephone numbers for CaptivAir are 1-800-477-0454 and 1-305-967-6530.

*The HARDT KR-D1 rotisserie must vent freely. Do not install the hood and make-up air in a way that air is being blown into or pulled out of the rotisserie. Either of these events will greatly affect the rotisserie's operation. The hood should remove the exhaust gases without disturbing the air within the rotisserie.*

*A fresh air supply must also be available to the underneath of the rotisserie at the control and motor areas. A minimum 2' x 2' opening at the front of the rotisserie must supply cooling air to the control and motor components.*

# HARDT EQUIPMENT MANUFACTURING INC.

1550 52nd AVE., LACHINE (MONTREAL), QUEBEC, CANADA H8T 2X9 TEL (514) 631-7271 FAX (514) 631-7273

## INSTALLATION OF ELECTRICAL SUPPLY

The HARDT KR-D1 rotisserie requires two (2) electrical connections. Each is located within the gas control enclosure at each side of the rotisserie. See the LOCATION OF COMPONENTS AND CONNECTIONS section of this manual for the exact location. There is a red BURNER ON/OFF switch and a thermostat on each of these enclosures. Each electrical inlet supplies power to the individually operating halves of the rotisserie. The right half requires a 10A supply (for the motor), the left requires only a 2A supply (for the gas valves).

**NOTE:** *The connection of the electrical supply must be in accordance with The National Electrical Code & NFPA 54.*

## INSTALLATION OF DRAIN

There are two holes in the rotisserie's water pan. One is for the drain and the other is for the overflow. The drain hole is the one located at the *back* of the rotisserie's water pan.

1. Underneath the rotisserie place the **two** rubber washers onto the flat portion of the drain elbow and line up the drain elbow with the *back* hole of the rotisserie's water pan.
2. Inside the rotisserie, insert the strainer into the *back* hole of the water pan and tighten the strainer into the drain elbow.
3. Weld the drain valve in the location most accessible to the employees.

**NOTE:** *Please consult the authority having jurisdiction to determine what regulations are in force regarding the disposal of grease laden water.*

## INSTALLATION OF OVERFLOW

The overflow is located in the *front* of the two holes in the rotisserie's water pan.

1. Underneath the rotisserie, place **two** rubber washers onto the flat portion of the overflow drain elbow and line it up with the *front* hole of the rotisserie's water pan.
2. Inside the rotisserie insert the overflow strainer into the *front* hole of the water pan and tighten it into the overflow drain elbow.

**NOTE:** *Please consult the authority having jurisdiction to determine what regulations are in force regarding the disposal of grease laden water.*

# HARDT EQUIPMENT MANUFACTURING INC.

1550 52nd AVE., LACHINE (MONTREAL), QUEBEC, CANADA H8T 2X9 TEL (514) 631-7271 FAX (514) 631-7273

## KENNY ROGERS KR-D1 TABLE OF CONTENTS

DELIVERY INFORMATION & INSTALLATION REQUIREMENTS	1
INSTALLATION INFORMATION	4
OPERATING INSTRUCTIONS	16