

If you have any questions please contact Ed Bonnette, C.P.M., CPIM, Buyer, at 970-416-2247 or ebonnette@fcgov.com.

Bid #5819 Picnic Tables						
Qty	Description	Unit Price	Extended	Leadtime	Colors Available?	
15 each	Mesh Picnic Tables (see specifications above)	512.00/ea	\$7,680.00	4 weeks after receipt of order.	Green, Red Blue, Black MAROON	BROWN, DK Blue, Teal DK Green, Gray Yellow
70 each	Aluminum Picnic Tables (see specifications above)	NO Bid				Orange Purple
		Extended Total (if Both Items Bid)				

Vendor Name: KenCoat

Address: 210 Kane Ave
Leitchfield, KY 42754

Telephone # 270-259-5198 FAX # 270-259-9858

Respondent Name: Tammy Langdon
(Please Print)

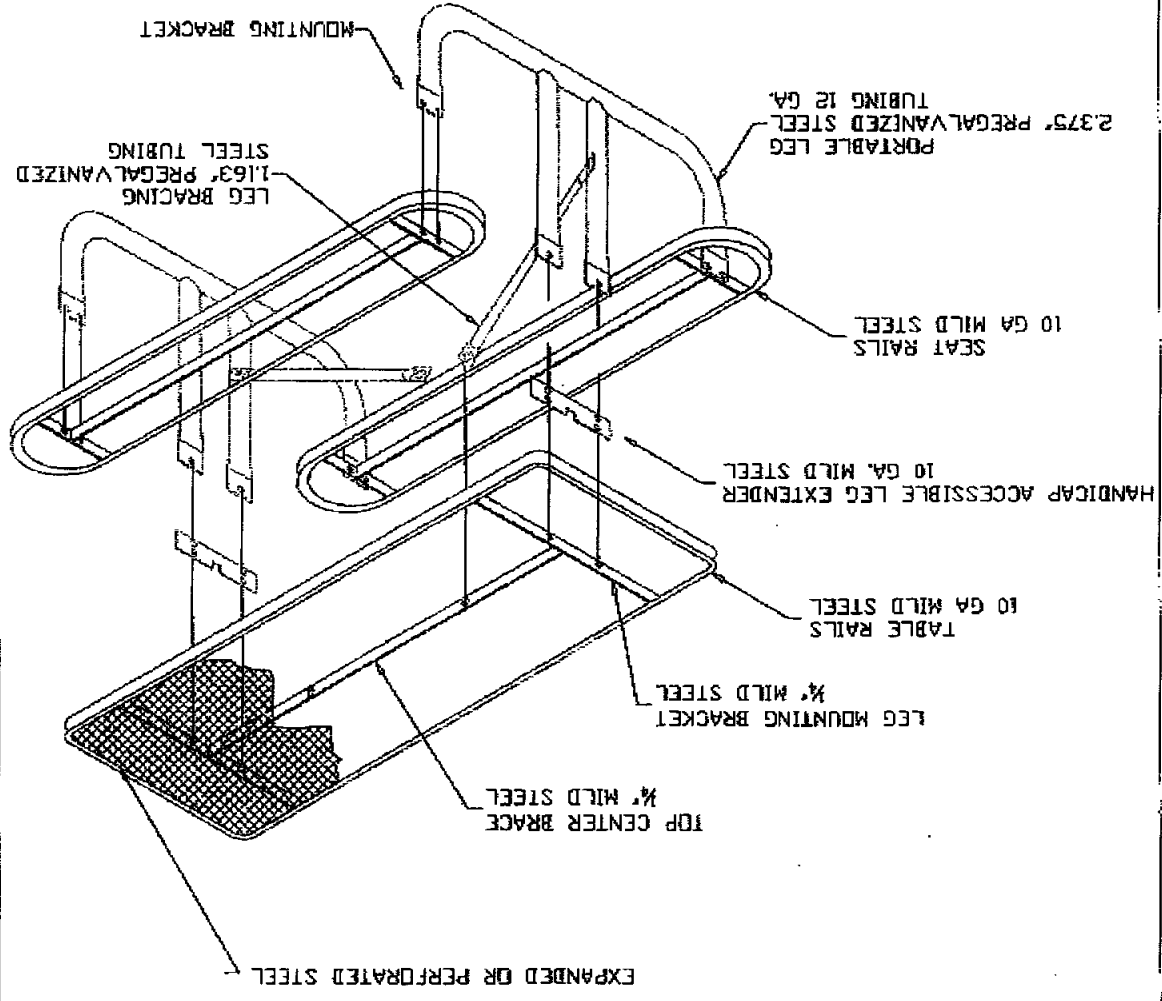
By: Tammy Langdon
(Signature)

KenCoat
 210 Kone Avenue
 Lettchfield, KY 42754
 800-707-7164
 270-259-9858 fax

Date: March 5, 2002
 Drawn by: TSM
 Revised: February 12, 2002
 File name: 15EH8PT-Spec.dwg

**15EH8PT
 8 FT. HANDICAP ACCESSIBLE
 RECTANGULAR TABLE
 SPECIFICATION SHEET**

This drawing and the design herein is the property of KenCoat/ArmoCoat LLC. It is provided with the understanding that its use be reproduced without permission of KenCoat/ArmoCoat. It must be returned upon demand. All rights of design and invention are reserved by KenCoat/ArmoCoat LLC.
 Copyright 2002



- INSTRUCTIONS:**
- STEP 1. PLACE TABLE TOP FACE DOWN ON CUSHIONED SURFACE. ATTACH LEGS TO LEG MOUNTING BRACKETS. LEG BRACING MOUNTING BRACKET ON LEGS SHOULD BE ANGLED TOWARD TABLE TOP.
 - STEP 2. ATTACH LEG BRACING TO TOP CENTER BRACE AND TO LEG USING SELF-TAPPING SCREW.
 - STEP 3. FLIP TABLE INTO UPRIGHT POSITION AND ATTACH SEATS TO LEGS.
 - STEP 4. TIGHTEN ALL BOLTS.

PACKING LIST

ITEM	QTY EACH
HANDICAP ACCESSIBLE TABLE TOP	1
STANDARD SEAT	2
LEG	2
LEG BRACE	2
HANDICAP ACCESSIBLE EXTENDER	2
5/16" NUT	22
5/16" FLAT WASHER	44
5/16" x 1/4" HEX HEAD BOLT	22
3/8" x 1" SELF TAPPING SCREWS	2