

If you have any questions please contact Ed Bonnette, C.P.M., CPIM, Buyer; at 970-416-2247 or ebonnette@fcgov.com.

Bid #5819 Picnic Tables						
Qty	Description	Unit Price	Extended	Leadtime	Colors Available?	
15 each 8 FT	Mesh Picnic Tables (see specifications above)	688.90	10333.50	4 TO 6 WKS	RE-OL YELL-W GR-BK ALMOND-BK	W7748
70 each	Aluminum Picnic Tables (see specifications above)	354.40	24808.00	4 TO 6 WKS		BD
		Extended Total (if Both Items Bid)				

**S&S WORLDWIDE
75 MILL STREET
COLCHESTER, CT
06415**

Vendor Name: _____
Address: _____

Telephone # 800-243-9232 FAX # 800-566-6678

Respondent Name: MURIEL T. BARNES
(Please Print)

By: Muriel T. Barnes
(Signature)

→ 35141.50.
1156.80 SHIPPING
\$ 36,298.30 FOR COMPLETE ORDER TO OUR LOCATION

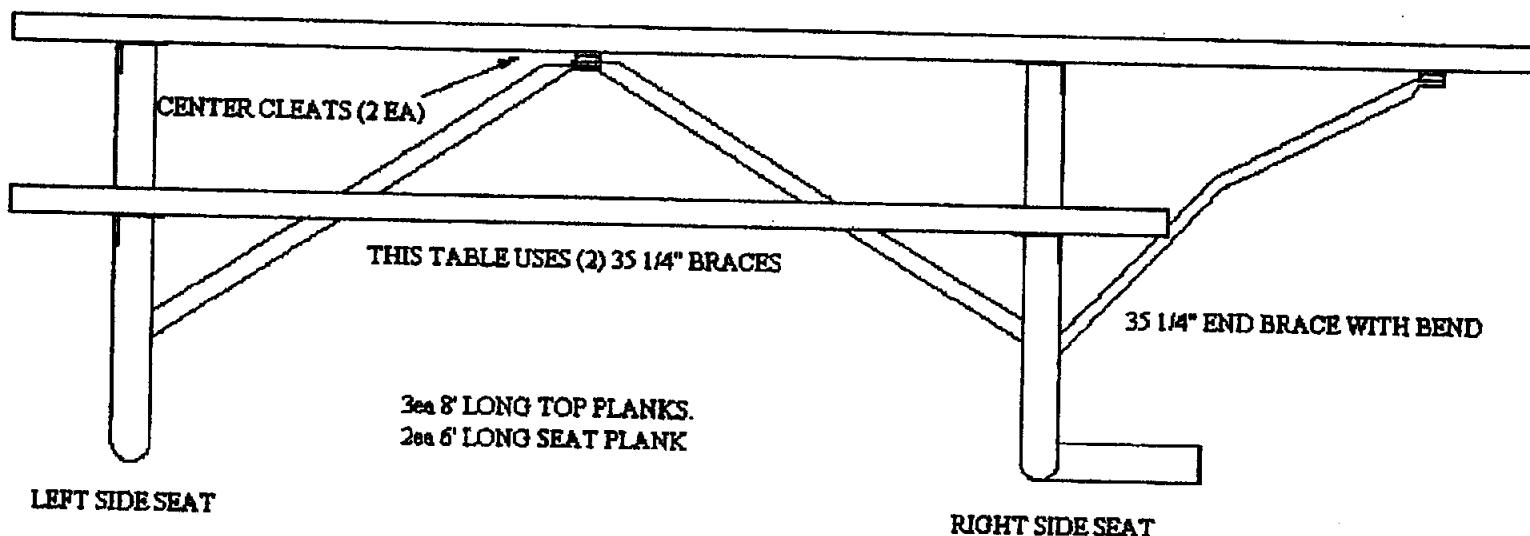
PRICING EXPIRES 12/31/03

USE THESE DIRECTIONS FOR EITHER FIBERGLASS OR VINYL PLASTIC

1. PLACE THE 8' TOP UPSIDE DOWN ON SOMETHING THAT WILL NOT MAR THE SURFACE OF THE TABLE. PLACE THE LEFT SIDE LEG (NO FOOT EXTENSION) ON THE PREDRILLED HOLES NEAREST THE END OF THE TABLE (ABOUT 9"). THE TOP ANGLE HOLES AND LEG SPACER HOLE (FOR TABLE BRACE) SHOULD FACE THE CENTER OF THE TABLE. (SEE FIGURE BELOW). ATTACH WITH 3/8" x 1 1/2" HEX BOLTS (VINYL PLASTIC) OR 3/8" x 2" LAG SCREWS (FIBERGLASS).
2. PLACE THE LEG W/ ANTI-TIP FOOT ON TO TOP W/ FOOT FACING TABLE END AS SHOWN. USE SAME HARDWARE AS ABOVE.
3. THE TWO STRAIGHT BRACES & ONE END BRACE SHOULD BE ATTACHED FROM THE LEG TO THE PREDRILLED TOP HOLES. ON VINYL PLASTIC USE 1 1/2" HEX BOLTS WHERE BRACE MEETS TOP. 1 1/4" HEX BOLTS USED WHERE BRACES MEET ON LEG. ON FIBERGLASS USE LAG SCREWS WHERE BRACE MEETS TOP AND HEX BOLTS WHERE BRACES ATTACH ON LEG SPACER. NOTE: NO CENTER CLEATS ARE NEEDED FOR EITHER THE FIBERGLASS OR VINYL PLASTIC TABLES.
4. TURN TABLE OVER AND ATTACH 6' SEATS. (HEX BOLTS FOR VINYL & LAG BOLTS FOR FIBERGLASS)

USE THESE DIRECTIONS FOR EITHER WOOD OR RECYCLED PLASTIC

1. PUT THE 2 1/4" CARRIAGE BOLTS IN THE BOARDS W/6 HOLES. (NOTE: THE 3" CARR BOLTS GO IN THE MIDDLE BOARD). PLACE THEM WITH THE HEAD ON THE ROUTERED SIDE OF THE LUMBER. LAY THE BOARDS DOWN, SIDE BY SIDE, APPROX. 3/8" APART, W/ THE THREADS OF THE BOLT SHOWING. (REINFORCING BARS WILL FACE UP WHEN USING RECYCLED PLASTIC PLANKS.)
2. SET THE LEFT SIDE FRAME UPSIDE DOWN MATCHING THE HOLES TO THE BOLTS. PLACE LOCKWASHERS & NUTS ON BOLTS. (DO NOT FULLY TIGHTEN YET) REPEAT THIS FOR THE OTHER END OF THE TABLE. BE SURE FRAMES FACE AS SHOWN.
3. PUT 2 1/4" CARRIAGE BOLTS IN THE TWO REMAINING PLANKS AS MENTIONED ABOVE. HOLD THE 6' SEAT PLANK UP TO THE SEAT BRACKETS WITH THE GOOD SIDE DOWN (REINFORCING BARS WILL FACE UP ON PLASTIC). ATTACH FINGER TIGHT WITH LOCKWASHER, & NUT. YOU MAY NEED ANOTHER PERSON'S HELP HERE.
4. NOW PLACE THE (2) CHANNEL BARS ON THE BOLTS AT THE PLACES SHOWN BELOW. THE BRACES WILL NOW ATTACH FROM THE LEGS (3/8" HEX BOLTS) TO THE CHANNELS (CARR. BOLTS). YOU MAY NOW TIGHTEN BOLTS AND TURN TABLE OVER



W 7748
MESH PICNIC TABLE

Assembly Instructions

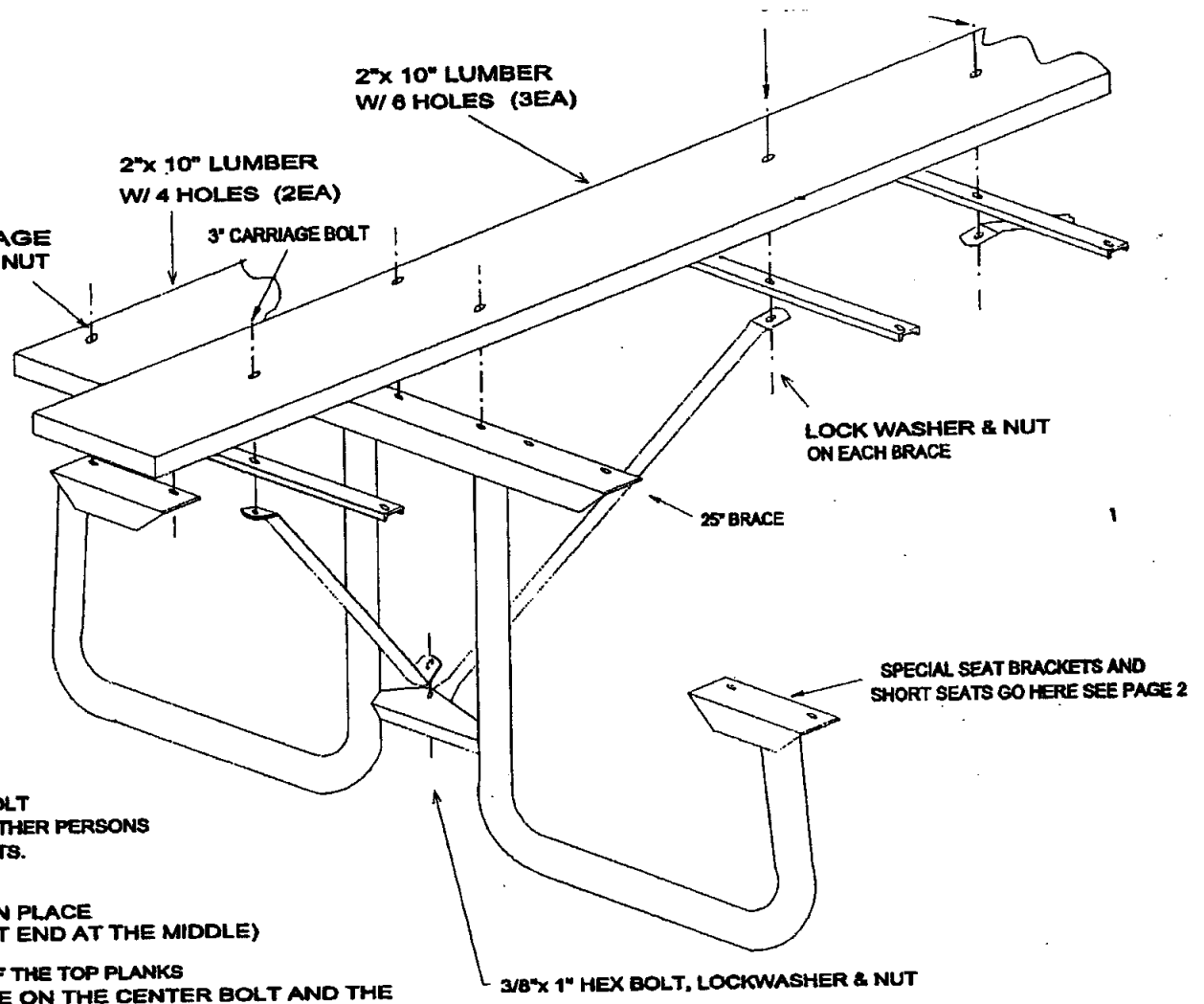
Do not tighten any bolts yet.

1. Place the 8' top upside down on something that will not mar the surface of the plastisol coating. Place the table leg with no extensions on the leg on the set of holes that has been drilled out nearest the end of the table. These holes should be 9" from the end of the table. The holes in the mounting cleats of the leg should be towards the center of the table.
2. Place the leg with the anti-tip extensions on the top with the extensions towards the end of the table. The holes this leg bolts onto should be 33" from the end of the table.
3. The two short center braces should be placed on the leg center spacers and the two holes pre-drilled in the center rail of the table top. The long bent brace should be placed on the other side of the center spacer, of the leg with the anti-tip extensions, and bolted to the pre-drilled hole near the end of the center rail.
4. Turn the table over onto the legs now. The 6' seat should be placed on the seat brackets on one side of the table frame now.
5. The Side Wheel Chair mounting brackets should be placed on the other two seat brackets now.
6. Place the two 16" seats on the Side Wheel Chair mounting brackets.
7. Tighten all bolts now.

W 7748 MESH PICKUP TABLE

1. INSERT THE 3" CARRIAGE BOLT UNTIL THE LAST STEP
 3" CARRIAGE BOLT
 3/8"x 2 1/4" CARRIAGE BOLT, LOCKWASHER & NUT
 2 1/4" CARRIAGE BOLTS IN
 5 HOLES (NOTE THE 3"
 IN THE MIDDLE BOARD)
 WITH THE HEAD ON THE
 SIDE OF THE LUMBER. LAY
 SIDES DOWN, SIDE BY SIDE, APPROX.
 WITH THE THREADS OF THE BOLT

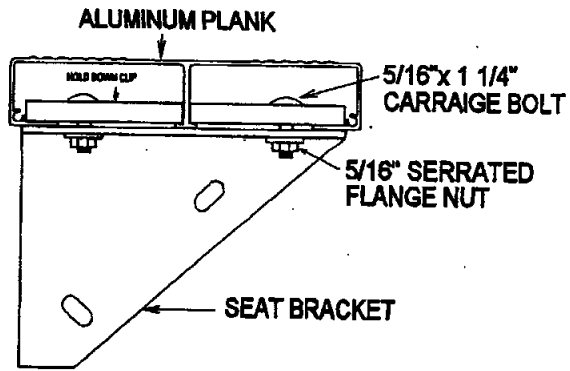
2. SET ONE OF THE FRAMES UPSIDE DOWN MATCHING THE HOLES TO THE BOLTS. PLACE LOCKWASHERS & NUTS ON THE BOLTS (DO NOT FULLY TIGHTEN YET) REPEAT THIS FOR THE OTHER END OF THE TABLE. BE SURE THE FRAME ANGLES FACE INWARD TOWARDS EACH OTHER.
3. HOLD A 4 HOLE PLANK UP TO THE SEAT BRACKETS WITH THE GOOD SIDE DOWN. INSERT A 2 1/4" CARR. BOLT LOCKWASHER & NUT IN EACH HOLE. YOU MAY NEED ANOTHER PERSONS HELP WITH THIS STEP. SEE PAGE 2 FOR THE OTHER SEATS.
4. NOW PLACE THE CENTER CHANNELS ON THE THREE BOLTS NEAR THE CENTER OF THE BOARDS. THEN PLACE THE BRACES AS SHOWN IN THE DRAWING (BENT END AT THE MIDDLE)
5. PLACE CHANNEL ON THE THREE BOLTS AT THE END OF THE TOP PLANKS PLACE THE BRACE WITH A BEND IN THE MIDDLE ON THE CENTER BOLT AND THE OTHER END ON THE SAME BOLT AS THE CENTER BRACE AT THE BASE OF THE FRAME
6. TIGHTEN ALL BOLTS NOW.



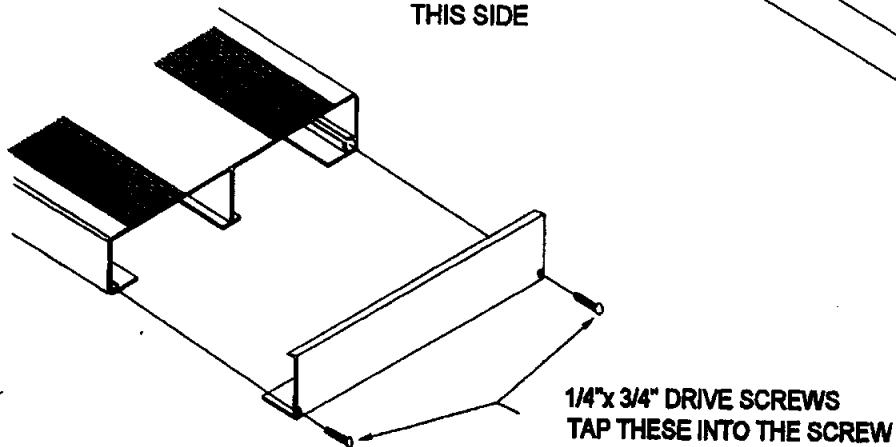
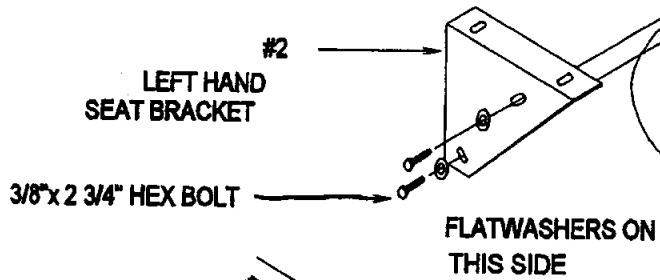
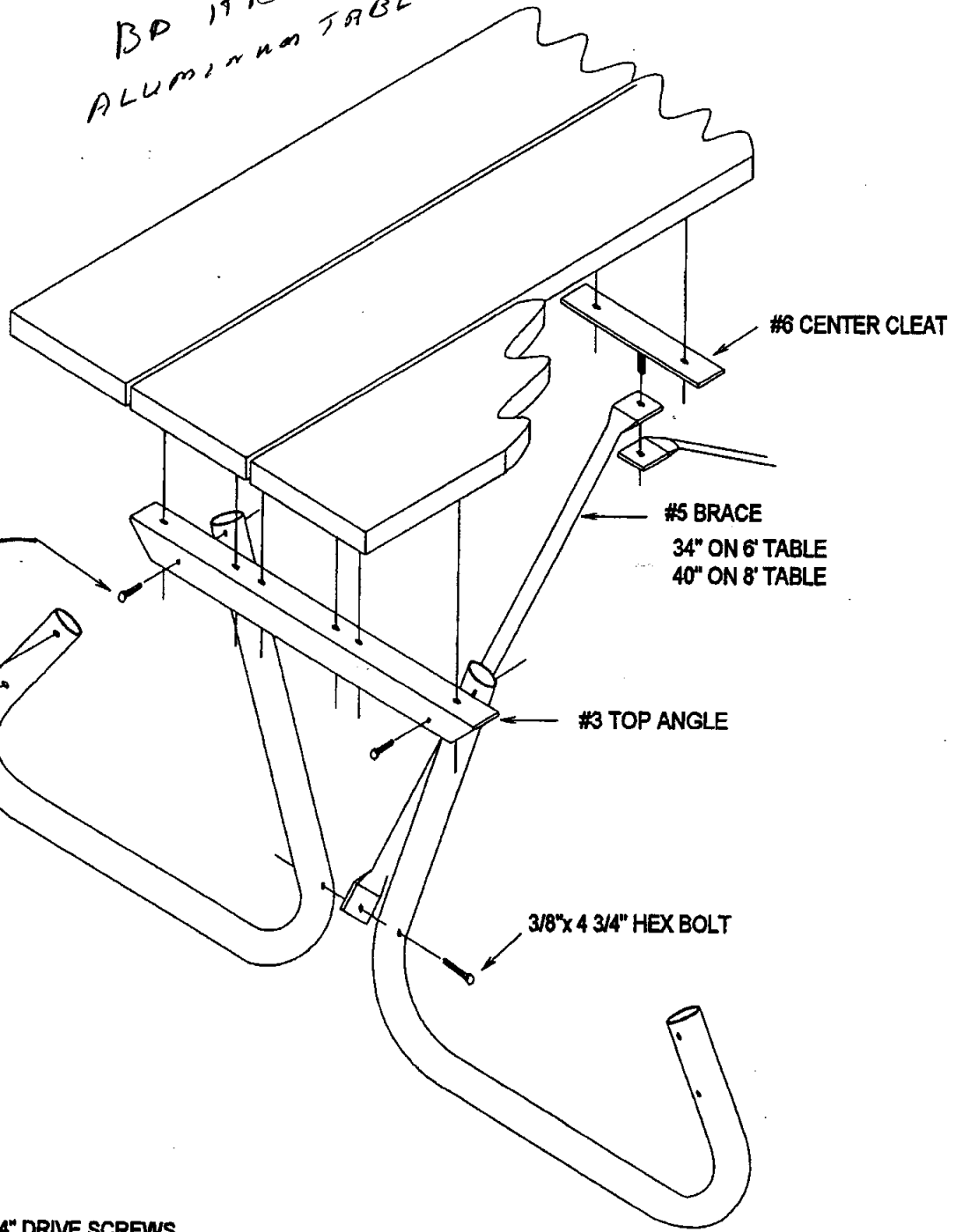
W7748 MESH PICNIC TABLE

10/20/03 MUN

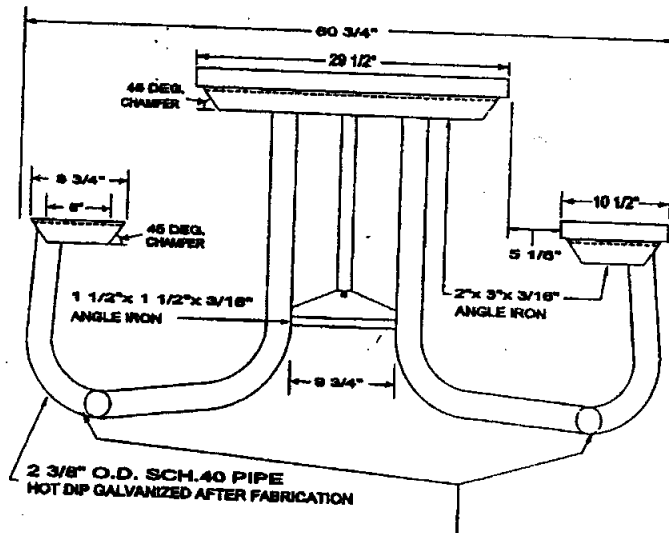
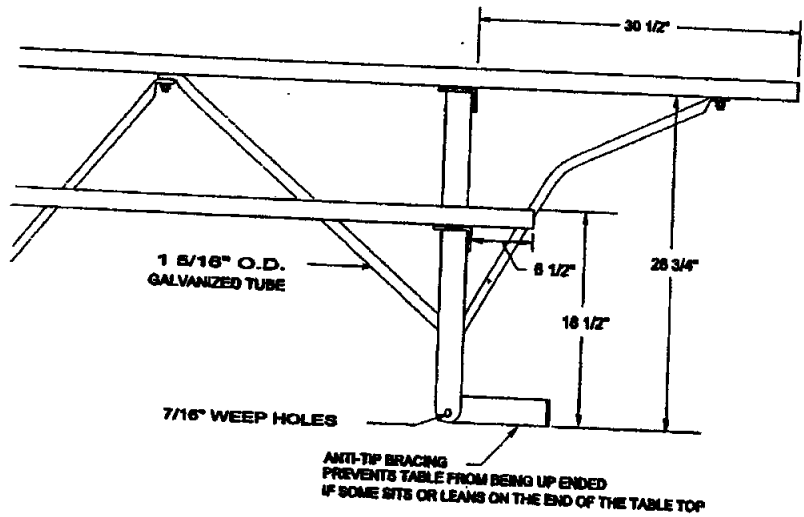
006



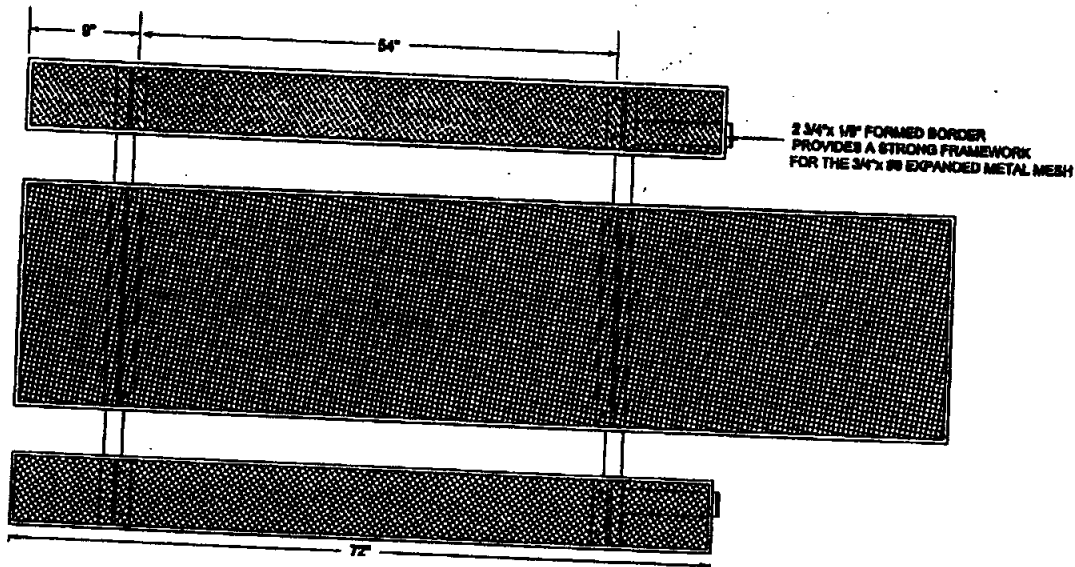
BD ITEM
ALUMINUM TABLE



10/20/03 MON 16:



THE TABLE REST ON THE OUTSIDE 4 CORNERS SO THAT IT WILL NOT ROCK ON UNEVEN GROUND.



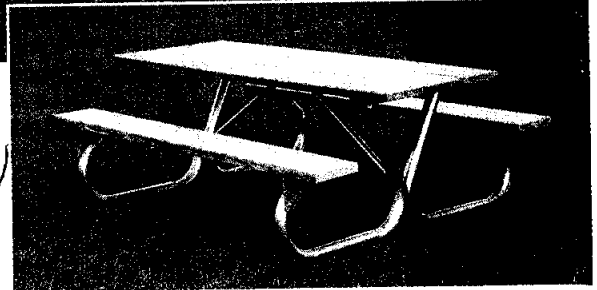
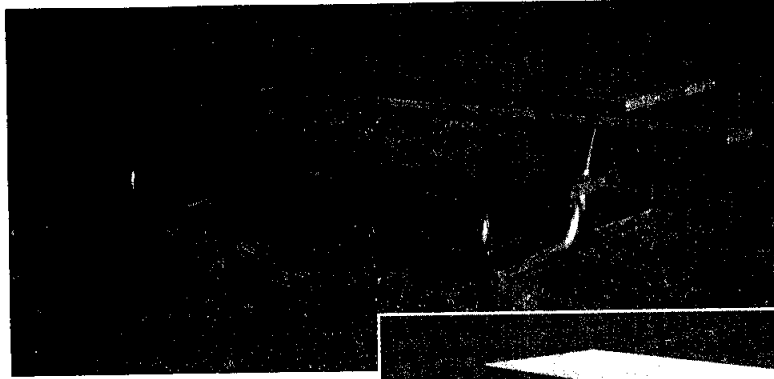
*BD 1TRM
ALUMINUM TABLE*

MEETS ADA REQUIRMENTS FOR END WHEELCHAIR ACCESS

PARK AND REC

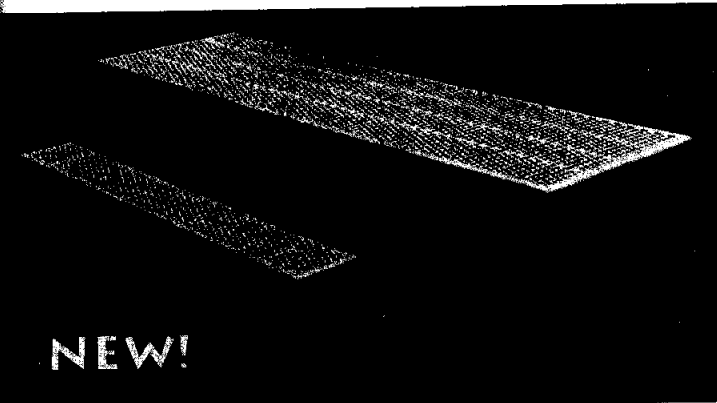
**FREE FREIGHT!
ON ORDERS OVER \$750!**

See order form for details.



PARK-QUALITY PICNIC TABLE. This popular model is a reasonably priced heavy-duty table. 2-3/8" O. D. high-strength galvanized tube frame for greater resistance to vandalism and many years of service. Purchase frame only (including hardware), or with your choice of planking. **Ships by truck.**

Item	Description	Wt.	Each
SMD-W4126	Frame Only for 6' or 8'	90 lbs.	\$148.88
SMD-W4129	8' No. 1 Treated Pine	90 lbs.	\$268.88
SMD-W4130	8' Aluminum	250 lbs.	\$498.88



NEW!

8' WHEELCHAIR END-ACCESS PICNIC TABLE. Extra-sturdy construction of this model reduces the "tippiness" often associated with many end-access picnic tables. Patented anti-tip extensions welded to the table legs support the required 24" overhang at the accessible end of the tabletop. Heavy-duty, 2-3/8" O. D. galvanized-pipe frame supports the sturdy PVC tabletop. Eight-foot table includes full 24" ADA toe clearance and 29" height clearance with wheelchair space. **Ships by truck.**

SMD-W7748 \$788.88 each.

Items on this page ship directly from the factory. Please allow extra time for delivery.



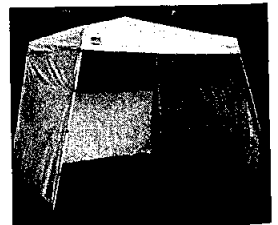
**Sets up completely
in less than
one minute!**

INSTANT QUIK® SHADE CANOPY. Perfect for games, parties, picnics and other outdoor events. This easy-to-use canopy sets up completely in less than one minute. The Quik® Shade Canopy telescopes to 10'6" high and folds down to a compact 5' x 12' for easy storage and portability. Made of a patented, rust resistant folding steel frame with no loose parts to connect or lose. Water and flame resistant polyester cover. Comes complete with anchoring stakes and carrying bag. **Available in green only. Canopies ship by truck.**

SMD-W7076 8' x 8' \$128.88 each.
SMD-W7077 10' x 10' \$248.88 each.

WALL PANEL. For the ultimate in protection, this polyethylene wall panel easily attaches to your Instant Quik® Shade Canopy with hook and loop. Zippers on sides allow quick and easy attachment of additional wall panels. (Shown with three wall panels.) **Available in green only.**

SMD-W7079 8' x 8' \$44.88 each.
SMD-W7080 10' x 10' \$48.88 each.



**QUALITY!
WE'RE FAMOUS FOR IT!**



CITY OF FORT COLLINS
BID # 5819

Re: PICNIC TABLES

Dear Bid Tabulation Clerk:

In order to better serve your needs, we would like to request a copy of the bid tabulation on this bid, or any information you may have on the award of these items.

Enclosed is a self-addressed stamped envelope for your convenience. If your tabulation is too large for the envelope provided you may secure it to the front of a larger one. You can also E-mail the tabulation to bids@ssww.com.

If there are any charges for receiving the tabulation please contact the Bid department at 800-243-9232 ext. 480 with instructions.

I would like to thank you in advance for supplying this information to our company and also for giving us the opportunity to submit a bid for your organization.

Sincerely,

Meriel D. Barnes

S&S Worldwide, Inc.
Bid Department

75 Mill St. • PO Box 513
Colchester, CT 06415-0513 • USA
(860) 537-3451 • FAX (860) 537-2866
WWW: <http://www.snswwide.com>
e-mail: sns@snswwide.com