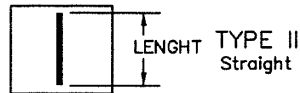


PLAN VIEW
NTS

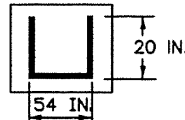
TABLE 1
BAR LIST FOR CURB INLET

MARK	DIA. IN.	O.C. SPACING	TYPE	NO. REQ'D	LENGHT
402	1/2 IN.	8 IN.	II	4	3 FT. 10 IN.
404		12 IN.	III	*	7 FT. 10 IN.
406		12 IN.	IV	6	7 FT. 4 IN.
407		12 IN.	II	14	*
409		12 IN.	II	*	3 FT. 2 IN.
410		12 IN.	II	*	*
411	5/8 IN.	12 IN.	II	2	9 FT. 0 IN.
412		12 IN.	VII	4	3 FT. 4 IN.
501	5/8 IN.	9 IN.	II	2	9 FT. 0 IN.
502	5/8 IN.	9 IN.	II	1	4 FT. 8 IN.
503	5/8 IN.	9 IN.	II	1	9 FT. 0 IN.
504	5/8 IN.	6 IN.	VIII	2	4 FT. 8 IN.
601	3/4 IN.	-	-	1	8 FT. 10 IN.
8 #8.5	-	-	-	1	5 FT. 0 IN.
ANCHOR	1/2 IN.	24 IN.	-	2	1 FT. 6 IN.

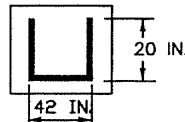
* VARIABLE WITH HEIGHT, REFER TO TABLE 2.



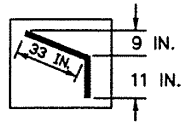
TYPE II
Straight



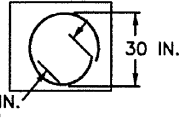
TYPE III
"U"



TYPE IV
"U"

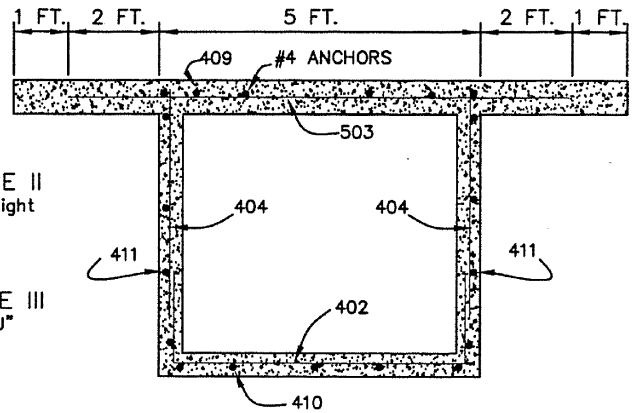


TYPE VII
Bent



TYPE VIII
Loop

BAR BENDING DIAGRAM
(DIMENSIONS ARE OUT TO OUT OF BAR)



SECTION B-B

TABLE 2
QUANTITIES VARIABLE WITH HEIGHT

H	NO. REQ'D		LENGHT		C.Y. CONC.	LB. STEEL
	402	405	404	406		
3 FT. 6 IN.	10	6	3 FT. 2 IN.	2 FT. 1 IN.	2.5	210
4 FT. 0 IN.	12	8	3 FT. 8 IN.	2 FT. 7 IN.	2.6	230
4 FT. 6 IN.	12	8	4 FT. 2 IN.	3 FT. 1 IN.	2.8	236
5 FT. 0 IN.	14	10	4 FT. 8 IN.	3 FT. 7 IN.	2.9	236
5 FT. 6 IN.	14	10	5 FT. 2 IN.	4 FT. 1 IN.	3.1	262
6 FT. 0 IN.	16	12	5 FT. 8 IN.	4 FT. 7 IN.	3.2	282
6 FT. 6 IN.	16	12	6 FT. 2 IN.	5 FT. 1 IN.	3.4	288
7 FT. 0 IN.	18	14	6 FT. 8 IN.	5 FT. 7 IN.	3.5	306
7 FT. 6 IN.	18	14	7 FT. 2 IN.	6 FT. 1 IN.	3.7	314
8 FT. 0 IN.	20	16	7 FT. 8 IN.	6 FT. 7 IN.	3.8	334
8 FT. 6 IN.	20	16	8 FT. 2 IN.	7 FT. 1 IN.	4.0	340
9 FT. 0 IN.	22	18	8 FT. 8 IN.	7 FT. 7 IN.	4.1	360
9 FT. 6 IN.	22	18	9 FT. 2 IN.	8 FT. 1 IN.	4.3	366
10 FT. 0 IN.	24	20	9 FT. 8 IN.	8 FT. 7 IN.	4.4	386

GENERAL NOTES:

1. QUANTITIES INCLUDE VOLUMES OCCUPIED BY PIPES. STRUCTURAL STEEL AND REINFORCEMENT AROUND PIPES ARE NOT INCLUDED.
2. KEY JOINTS WHERE WALLS CONNECT TO TOP SLAB AND BASE.
3. REINFORCEMENT IN WALLS AND BASE SHALL BE 3 IN. FROM THE SIDES EXPOSED TO EARTH. REINFORCEMENT IN TOP SLAB SHALL BE 1 1/2 IN CLEAR.

CURB INLET-4 FT. OPNG. FOR DRIVE-OVER CURB & GUTTER (REINFORCEMENT)



CITY OF FORT COLLINS UTILITIES FORT COLLINS, CO. (970) 221-6700

STORMWATER CONSTRUCTION DETAILS

APPROVED:
DATE: 11/25/02
DRAWN BY: NBJ

DETAIL
D-8B