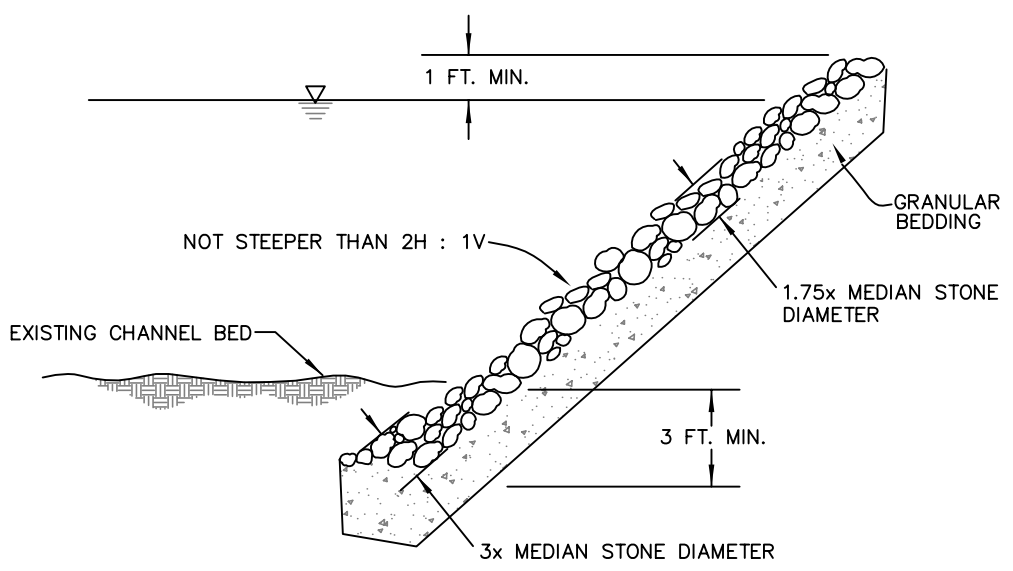


TYPICAL GRASS LINED CHANNEL



RIPRAP LINING FOR CHANNEL SIDES

OPEN CHANNEL DETAILS



CITY OF  
FORT COLLINS  
UTILITIES  
FORT COLLINS, CO.  
(970) 221-6700

STORMWATER  
CONSTRUCTION DETAILS

APPROVED:  
DATE: 12/26/00  
DRAWN BY: NBJ

DETAIL  
D-20A