

**DETAIL "A"**

**TYPICAL CULVERT LAYOUT**

**GENERAL NOTES:**

1. REVISED CDOH M-601-20.
2. ALL EXPOSED CORNERS ON CONCRETE SHALL BE CHAMFERED 3/4 IN.
3. WINGWALL FOOTINGS AND FLOOR OF BOX CULVERT SHALL BE PLACED MONOLITHICALLY.
4. EXPANSION JOINT MATERIAL SHALL CONFORM TO ASTM D-1751.
5. DIMENSIONS H,B RISE, k,l,m, AND ANGLES FOR WINGWALLS SHALL BE AS SHOWN ON THE PLANS.
6. THE MINIMUM SPLICE LENGTH FOR COMMON BAR SIZES SHALL BE,

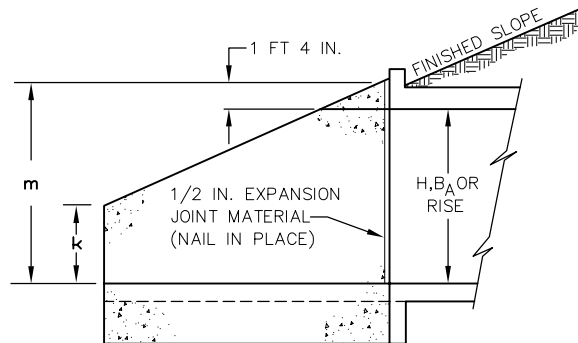
BAR SIZE	+4	+6
SPLICE LENGTH	1 FT. 0 IN.	1 FT. 8 IN.

7. DESIGN DATA

UNIT STRESSES:      f=20,000 psi  
                               f=1,200 psi  
                               n=10

EQUIVALENT FLUID PRESSURE 30 LBS/CU. FT.  
 MAXIMUM TOE PRESSURE 1 TON/SQ. FT.

8. ALL CONSTRUCTION JOINTS SHALL BE THOROUGHLY CLEANED BEFORE FRESH CONCRETE IS POURED.



m = h, b<sub>o</sub> or rise + ( 1 FT. 4 IN. ) unless otherwise shown on plans

**WING ELEVATION**

WINGWALLS



CITY OF  
**FORT COLLINS**  
 UTILITIES  
 FORT COLLINS, CO.  
 (970) 221-6700

STORMWATER  
 CONSTRUCTION DETAILS

APPROVED:  
 DATE: 01-29-01  
 DRAWN BY: NJB

DETAIL  
**D-19A**