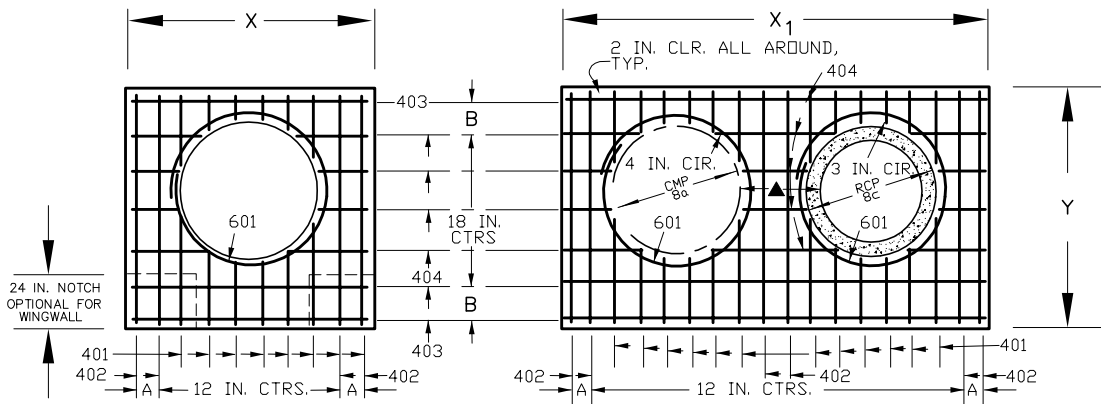
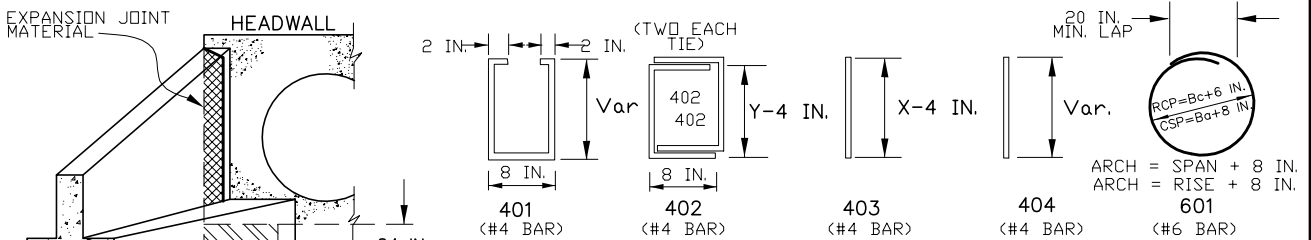


HEADWALL FOR SINGLE PIPE

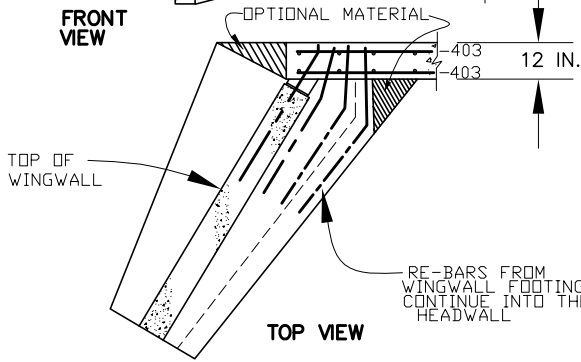
HEADWALL FOR DOUBLE PIPE



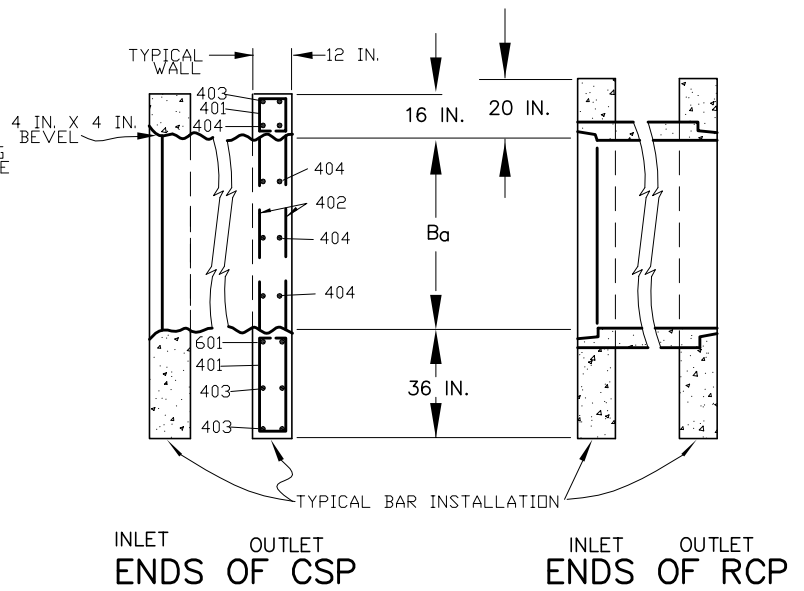
TYPICAL BAR LAYOUT FOR CONCRETE HEADWALL



BAR BENDING



WINGWALL CONNECTION



GENERAL NOTES:

1. REVISED CDOH M-601-10.
2. FOR WINGWALL DETAILS, SEE D-19a AND 19b

HEADWALL FOR PIPES (60 IN. DIAMETER AND ABOVE)



CITY OF
FORT COLLINS
UTILITIES
FORT COLLINS, CO.
(970) 221-6700

STORMWATER
CONSTRUCTION DETAILS

APPROVED:
DATE: 1/25/01
DRAWN BY: NJB

DETAIL
D-18A