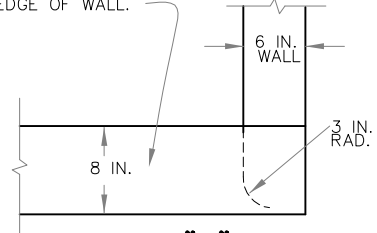
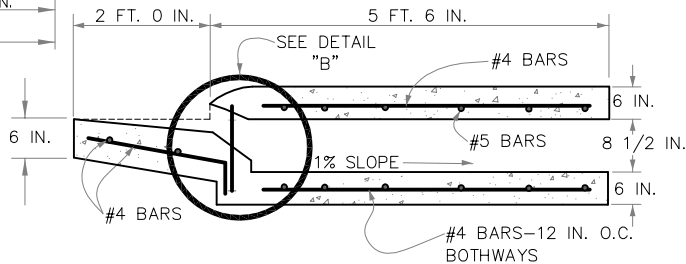


8" 8.5 WITH 1 1/2 IN. DIA. HOLE IN CENTER - EXTEND CHANNEL TO OUTSIDE EDGE OF WALL.

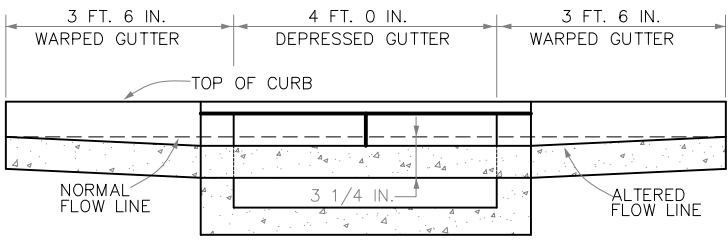
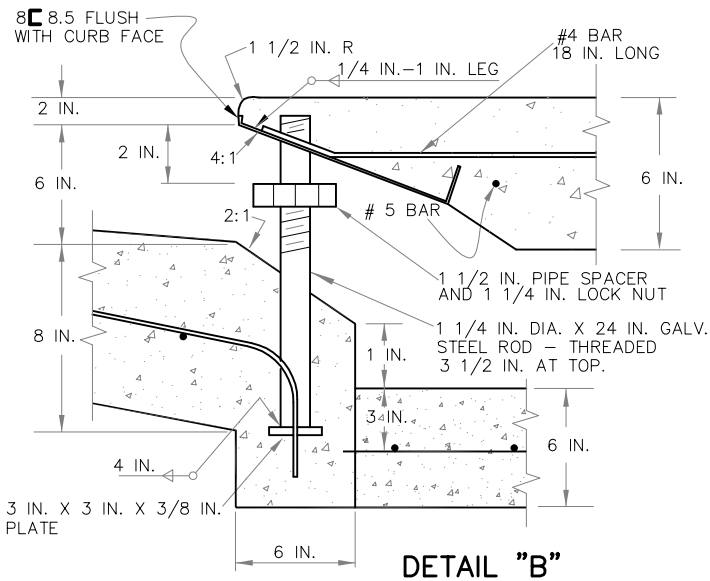


DETAIL "A"

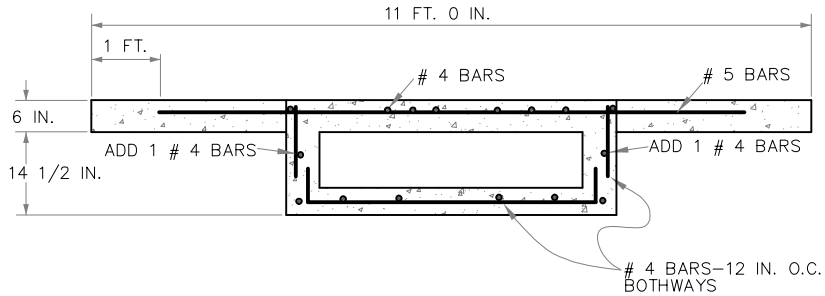
DETAIL "B"



SECTION A-A



SECTION B-B  
(REINFORCEMENT NOT SHOWN)



SECTION C-C

**GENERAL NOTES:**

1. SIDEWALK SHALL BE 6 IN. THICK FOR 3 FT. ON EITHER SIDE OF CULVERT.
2. TOP SLAB OF CULVERT SHALL BE SLOPE TO MATCH SIDEWALK. SEE D-6.
3. EXPOSED STEEL SHALL BE GALVANIZED IN ACCORDANCE WITH AASHTO M-111.
4. KEY JOINTS WHERE WALLS CONNECT TO TOP SLAB AND BASE.
5. REINFORCEMENT IN WALLS AND BASE SHALL BE 3 IN. FROM THE SIDE EXPOSED TO EARTH. REINFORCEMENT IN TOP SLAB SHALL BE 1 1/2 IN CLEAR.

**CONCRETE CULVERT FOR DRIVE-OVER CURB, GUTTER AND WALK**



**CITY OF  
FORT COLLINS  
UTILITIES  
FORT COLLINS, CO.  
(970) 221-6700**

**STORMWATER  
CONSTRUCTION DETAILS**

**APPROVED:**

**DATE: 12/20/00**

**DRAWN BY: NBJ**

**DETAIL  
D-13**