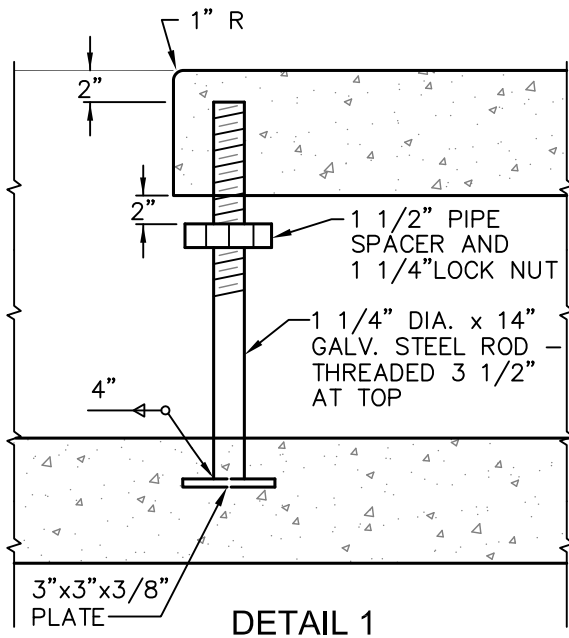


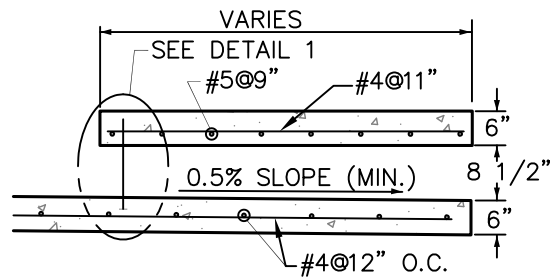
PLAN

NOTE:

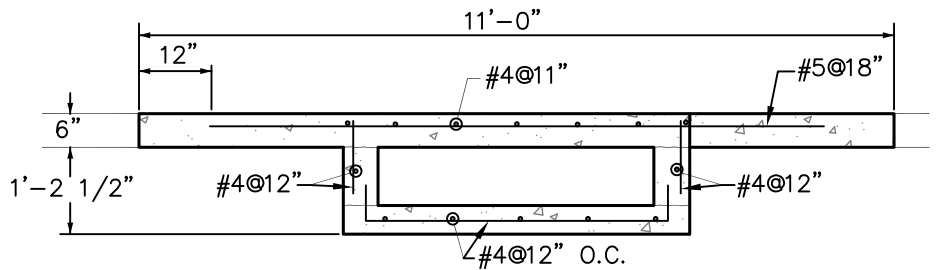
2' PAN REQUIRED ON BOTH UPSTREAM AND DOWNSTREAM ENDS.
2" DROP AT DOWNSTREAM END OF PAN.



DETAIL 1



SECTION A-A



SECTION C-C

GENERAL NOTES:

1. SIDEWALK SHALL BE 6 IN. THICK.
2. TOP SLAB OF CULVERT SHALL BE SLOPE TO MATCH SIDEWALK. SEE D-6.
3. EXPOSED STEEL SHALL BE GALVANIZED IN ACCORDANCE WITH AASHTO M-111.
4. KEY JOINTS WHERE WALLS CONNECT TO TOP SLAB AND BASE.
5. REINFORCEMENT IN WALLS AND BASE SHALL BE 3 IN. FROM THE SIDE EXPOSED TO EARTH. REINFORCEMENT IN TOP SLAB SHALL BE 1 1/2 IN. CLEAR.

REV. DATE 12/11/13

CONCRETE SIDEWALK CULVERT WITH NO CURB



CITY OF FORT COLLINS UTILITIES FORT COLLINS, CO. (970) 221-6700

STORMWATER CONSTRUCTION DETAILS

APPROVED:

DATE: 1-20-09

DRAWN BY: TDC

DETAIL

D-12C