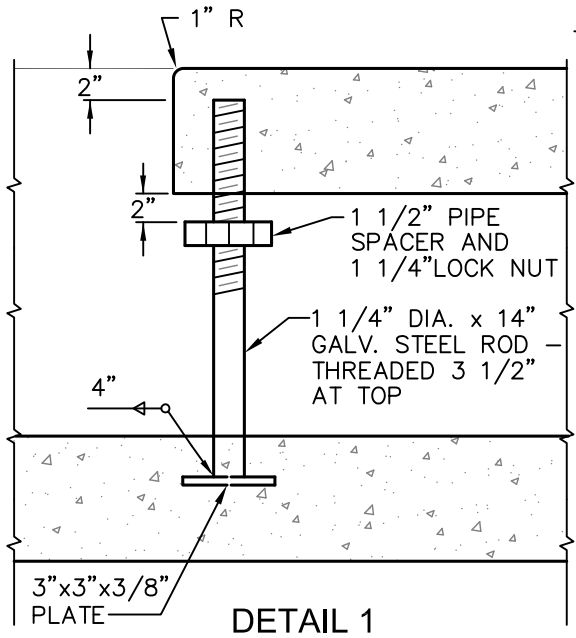
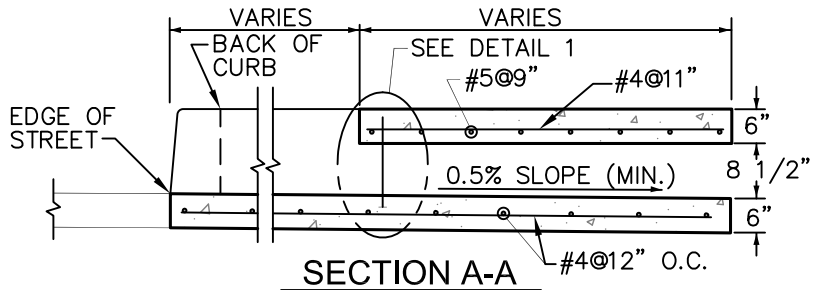


**NOTE:**  
2' PAN REQUIRED ON DOWNSTREAM END WITH A 2" DROP AT END OF PAN

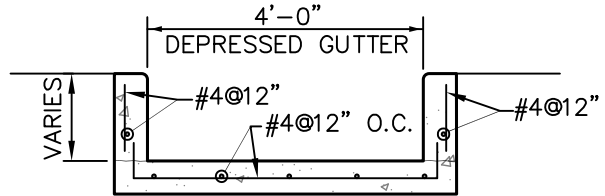
**PLAN**



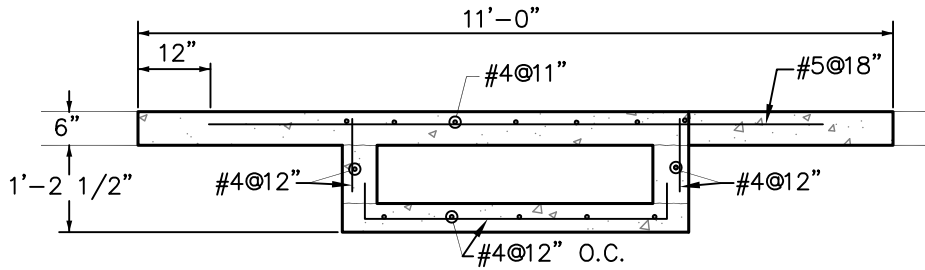
**DETAIL 1**



**SECTION A-A**



**SECTION B-B**



**SECTION C-C**

**GENERAL NOTES:**

1. SIDEWALK SHALL BE 6 IN. THICK.
2. TOP SLAB OF CULVERT SHALL BE SLOPE TO MATCH SIDEWALK. SEE D-6.
3. EXPOSED STEEL SHALL BE GALVANIZED IN ACCORDANCE WITH AASHTO M-111.
4. KEY JOINTS WHERE WALLS CONNECT TO TOP SLAB AND BASE.
5. REINFORCEMENT IN WALLS AND BASE SHALL BE 3 IN. FROM THE SIDE EXPOSED TO EARTH. REINFORCEMENT IN TOP SLAB SHALL BE 1 1/2 IN. CLEAR.

REV. DATE 12/11/13

**CONCRETE SIDEWALK CULVERT FOR DETACHED SIDEWALK**



**CITY OF FORT COLLINS UTILITIES FORT COLLINS, CO. (970) 221-6700**

**STORMWATER CONSTRUCTION DETAILS**

APPROVED:

DATE: 1-20-09

DRAWN BY: TDC

DETAIL

D-12B