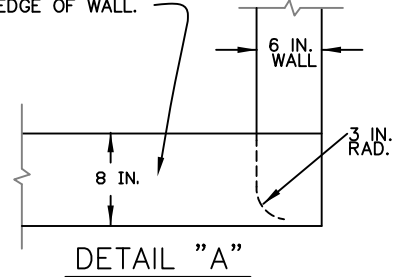
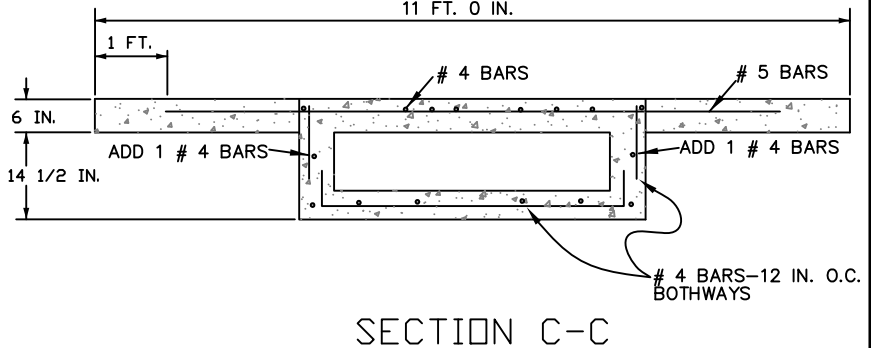
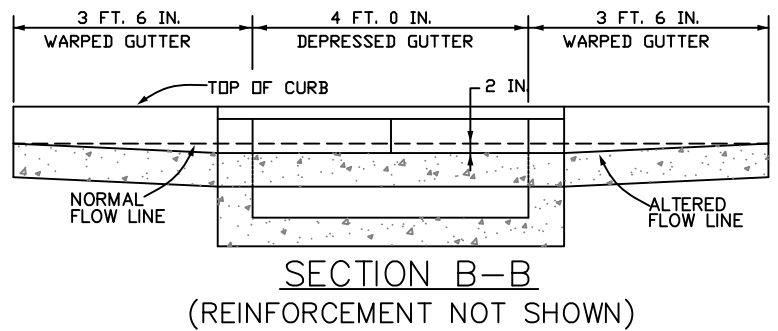
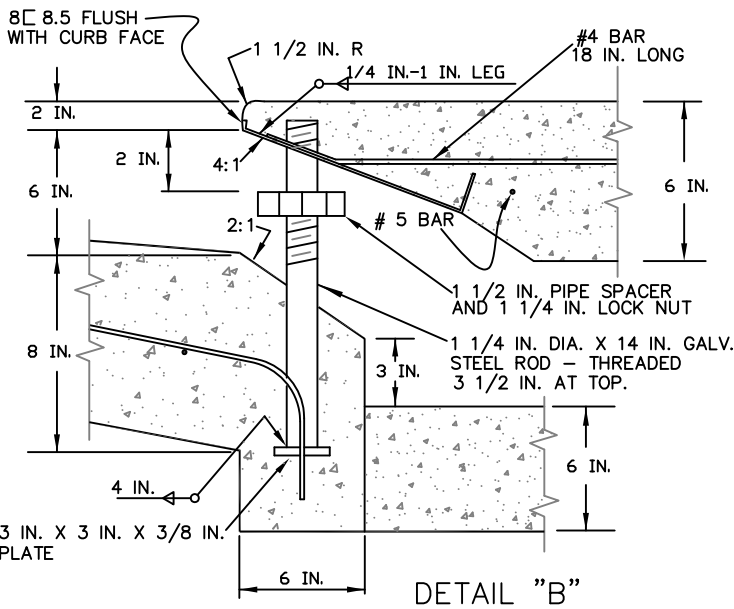
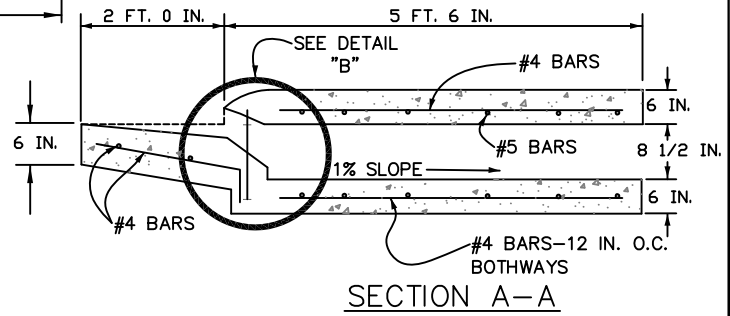


NOTE:
2' PAN REQUIRED ON DOWNSTREAM END WITH A 2" DROP AT END OF PAN

8" 8.5 WITH 1 1/2 IN. DIA. HOLE IN CENTER - EXTEND CHANNEL TO OUTSIDE EDGE OF WALL.



DETAIL "B"



GENERAL NOTES:

1. SIDEWALK SHALL BE 6 IN. THICK FOR 3 FT. ON EITHER SIDE OF CULVERT.
2. TOP SLAB OF CULVERT SHALL BE SLOPE TO MATCH SIDEWALK. SEE D-6.
3. EXPOSED STEEL SHALL BE GALVANIZED IN ACCORDANCE WITH AASHTO M-111.
4. KEY JOINTS WHERE WALLS CONNECT TO TOP SLAB AND BASE.
5. REINFORCEMENT IN WALLS AND BASE SHALL BE 3 IN. FROM THE SIDE EXPOSED TO EARTH. REINFORCEMENT IN TOP SLAB SHALL BE 1 1/2 IN CLEAR.

REV. DATE 12/11/13

CONCRETE SIDEWALK CULVERT FOR VERT. CURB, GUTTER AND SIDEWALK



CITY OF
FORT COLLINS
UTILITIES
FORT COLLINS, CO.
(970) 221-6700

STORMWATER
CONSTRUCTION DETAILS

APPROVED:

DATE: 12/19/00

DRAWN BY: NBJ

DETAIL

D-12