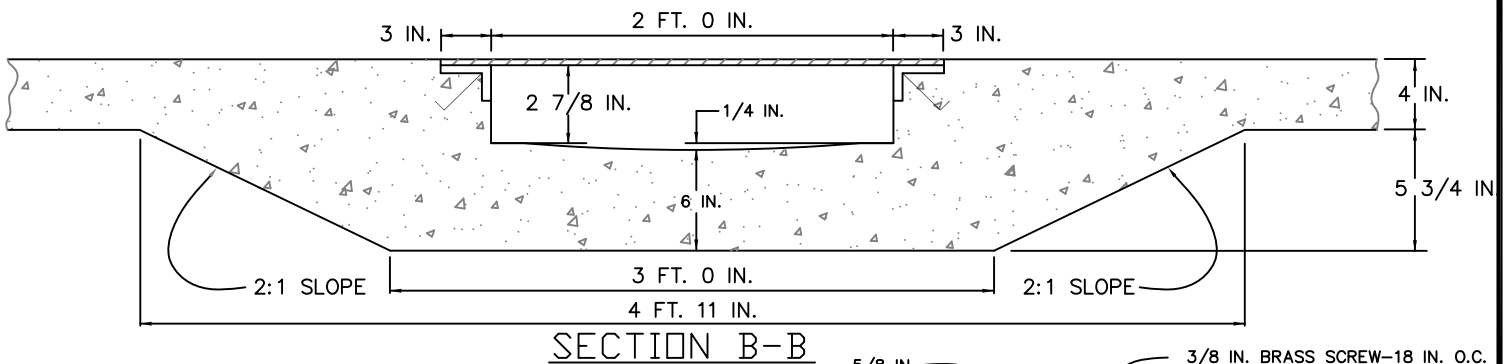
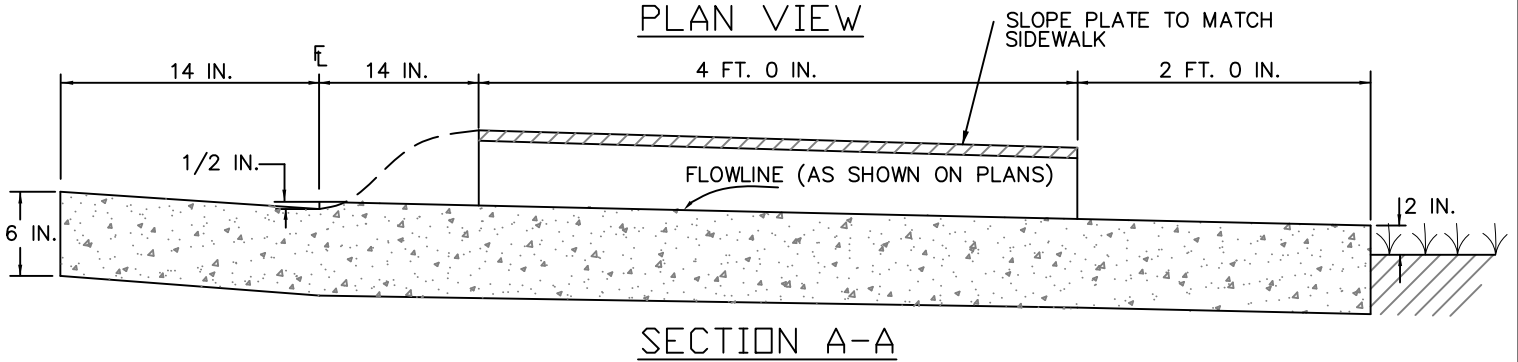
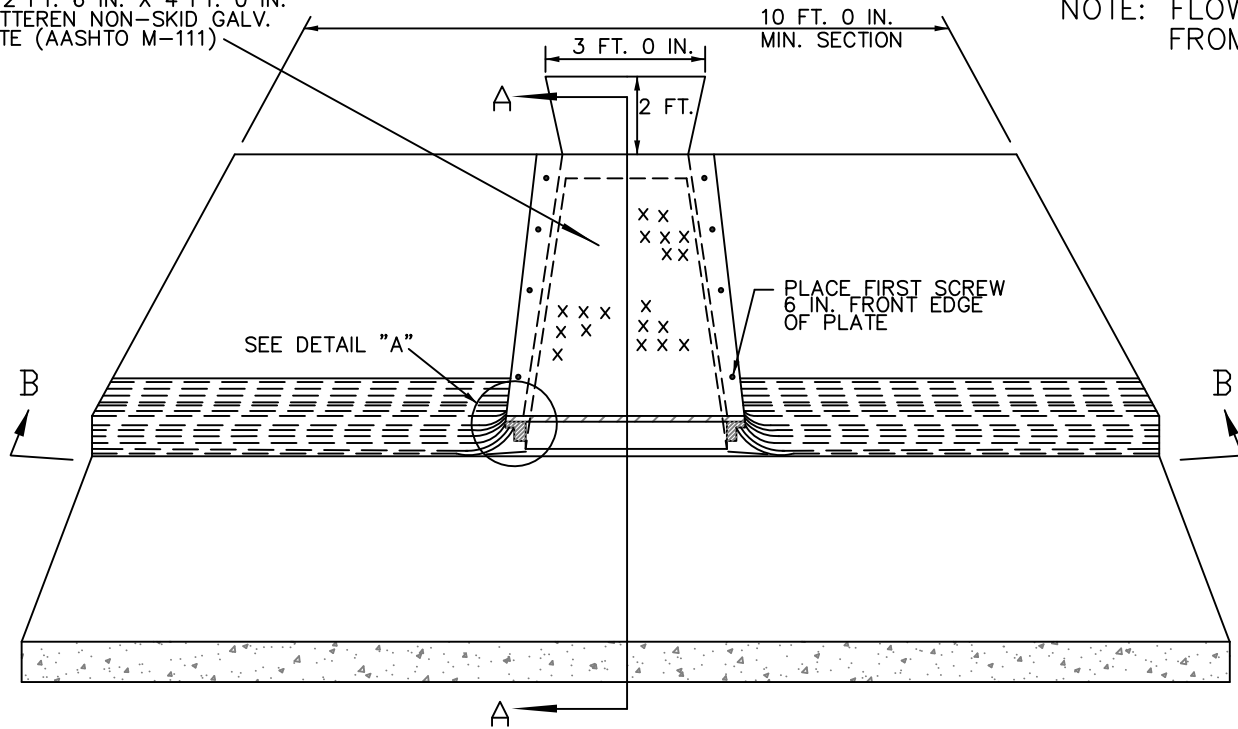


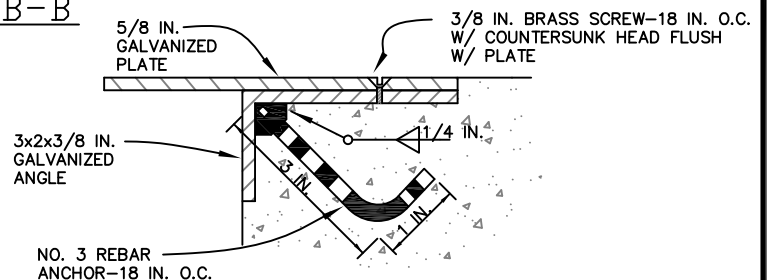
5/8 IN. X 2 FT. 6 IN. X 4 FT. 0 IN.
RAISED PATTERNEN NON-SKID GALV.
STEEL PLATE (AASHTO M-111)

NOTE: FLOW AWAY
FROM STREET



GENERAL NOTES:

1. WHEN THE CURB IS SEPERATED FROM THE SIDEWALK THE STEEL PLATE SHALL BE PLACED ON THE SIDEWALK AND THE CONCRETE CHANNEL(WITH 6 IN. THICK WALL ON EACH SIDE) CONTINUED INTO THE CURB AND GUTTER.



REV. DATE 12/11/13

METAL CULVERT FOR DRIVE-OVER CURB, GUTTER AND SIDEWALK



CITY OF
FORT COLLINS
UTILITIES
FORT COLLINS, CO.
(970) 221-6700

STORMWATER
CONSTRUCTION DETAILS

APPROVED:

DATE: 12/18/00

DRAWN BY: NBJ

DETAIL

D-11B