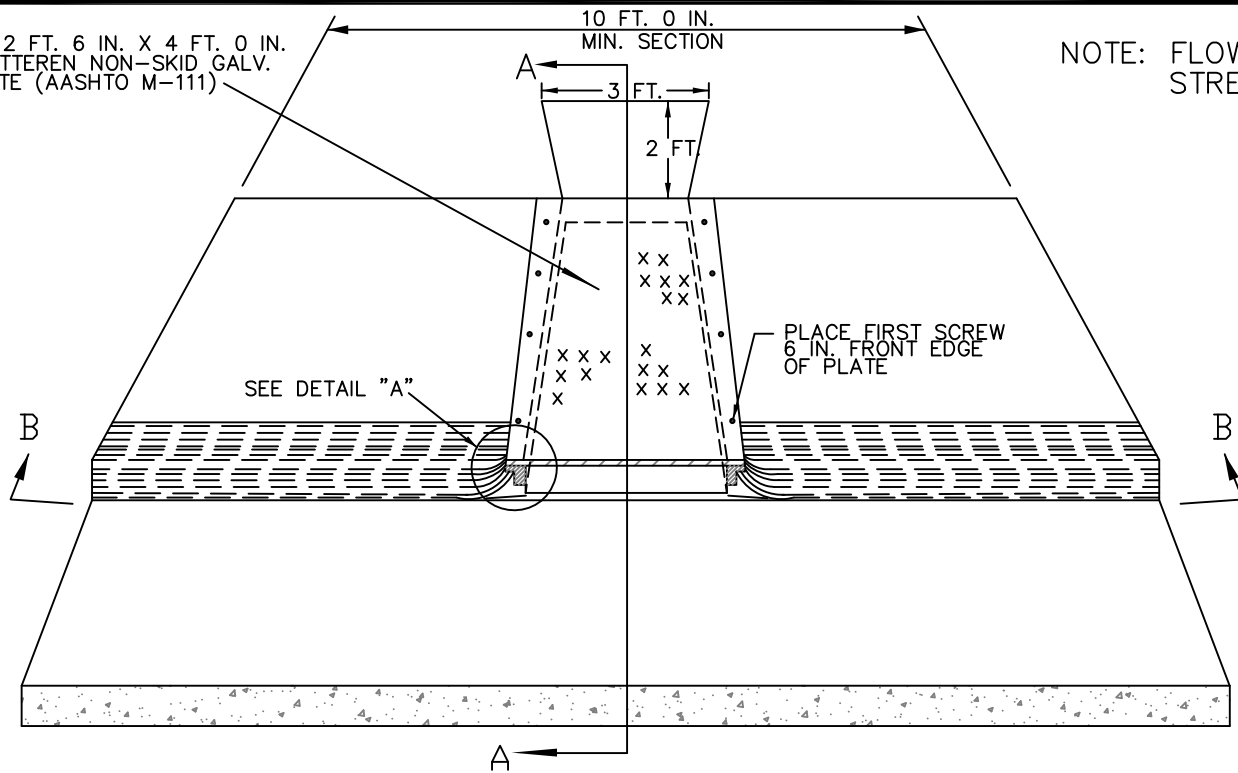
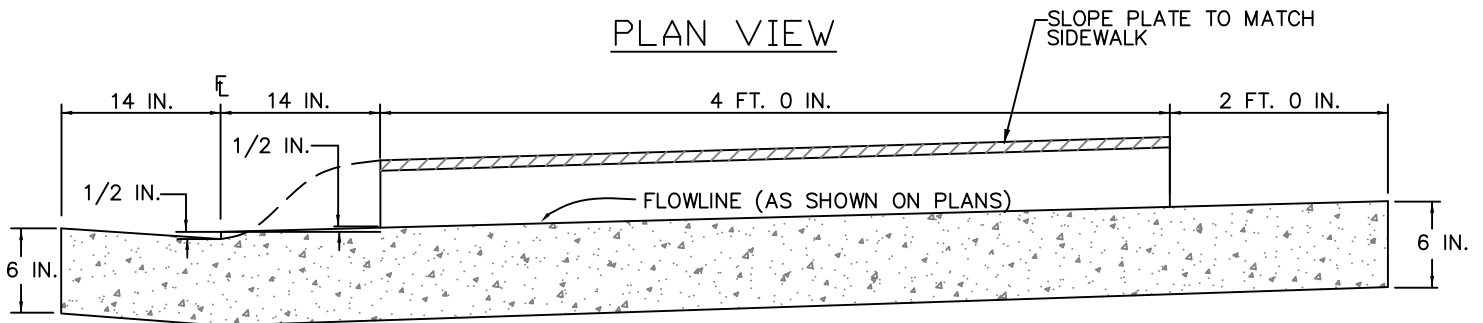


5/8 IN. X 2 FT. 6 IN. X 4 FT. 0 IN.  
RAISED PATTERNEN NON-SKID GALV.  
STEEL PLATE (AASHTO M-111)

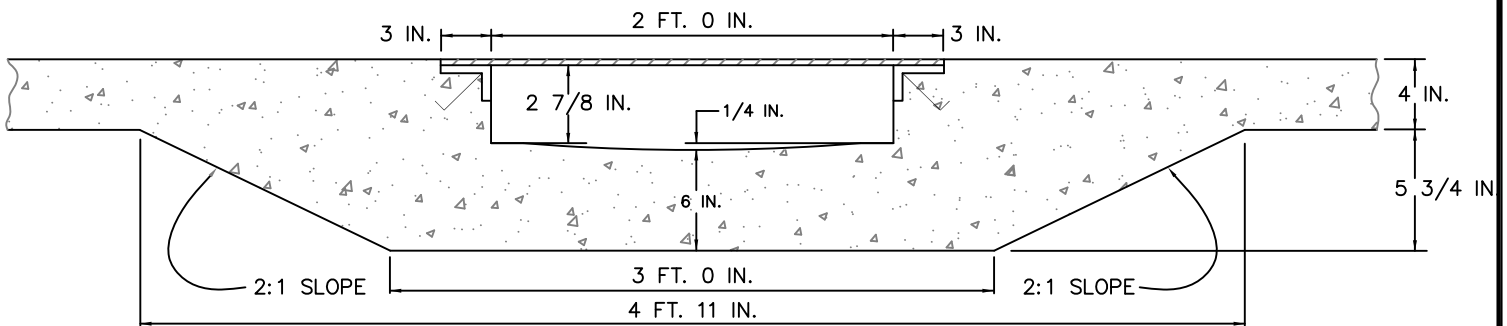
NOTE: FLOW INTO  
STREET



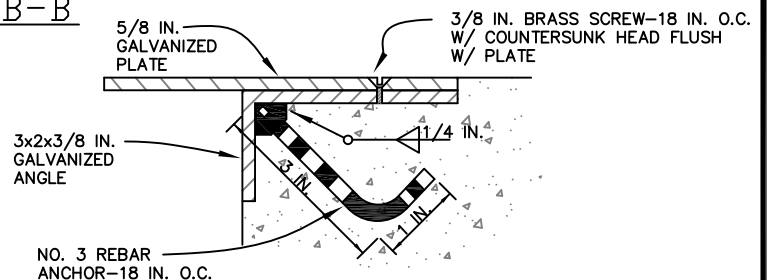
PLAN VIEW



SECTION A-A



SECTION B-B



DETAIL "A"

REV. DATE 12/11/13

GENERAL NOTES:

1. WHEN THE CURB IS SEPERATED FROM THE SIDEWALK THE STEEL PLATE SHALL BE PLACED ON THE SIDEWALK AND THE CONCRETE CHANNEL(WITH 6 IN. THICK WALL ON EACH SIDE) CONTINUED INTO THE CURB AND GUTTER.

METAL CULVERT FOR DRIVE-OVER CURB, GUTTER AND SIDEWALK



CITY OF  
FORT COLLINS  
UTILITIES  
FORT COLLINS, CO.  
(970) 221-6700

STORMWATER  
CONSTRUCTION DETAILS

APPROVED:

DATE: 12/18/00

DRAWN BY: NBJ

DETAIL

D-11