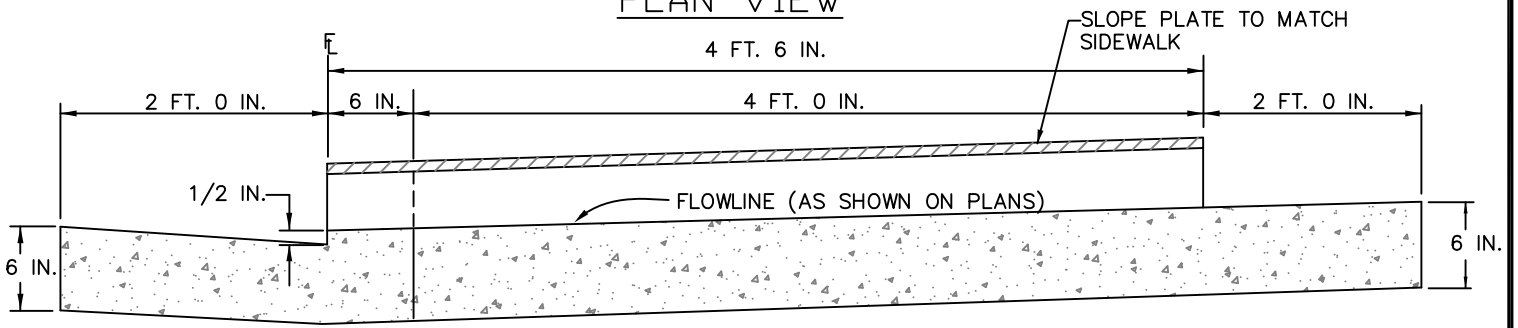
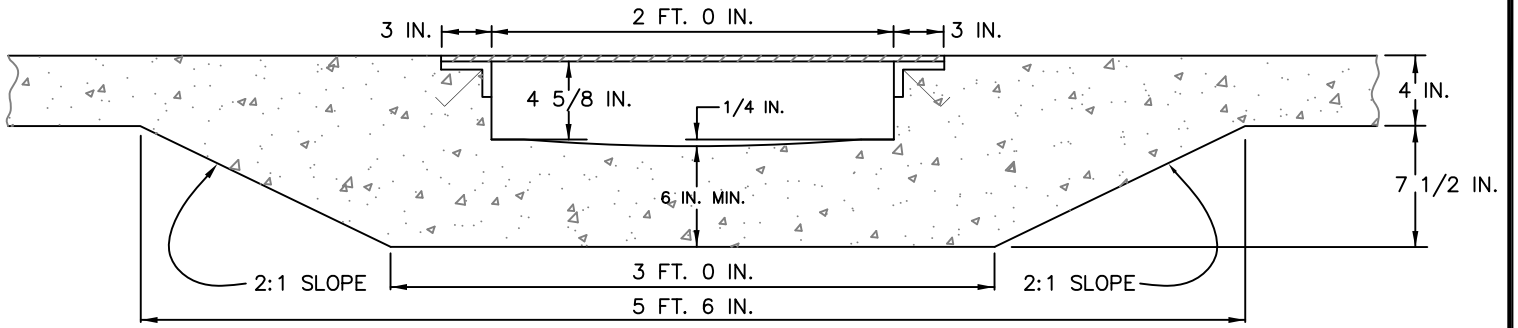


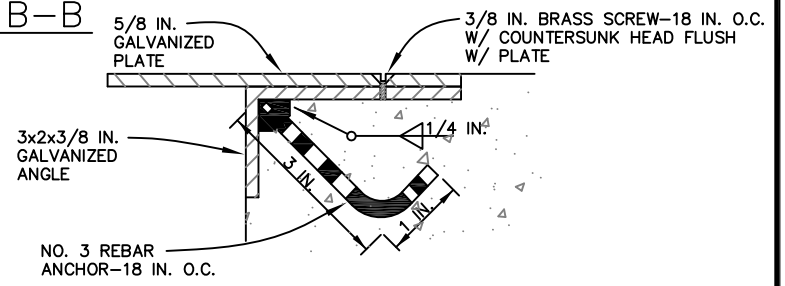
PLAN VIEW



SECTION A-A



SECTION B-B



DETAIL "A"

REV. DATE 12/11/13

METAL SIDEWALK CULVERT FOR VERT. CURB & GUTTER AND SIDEWALK



CITY OF
FORT COLLINS
UTILITIES
FORT COLLINS, CO.
(970) 221-6700

STORMWATER
CONSTRUCTION DETAILS

APPROVED:
DATE: 12/12/00
DRAWN BY: NBJ

DETAIL
D-10