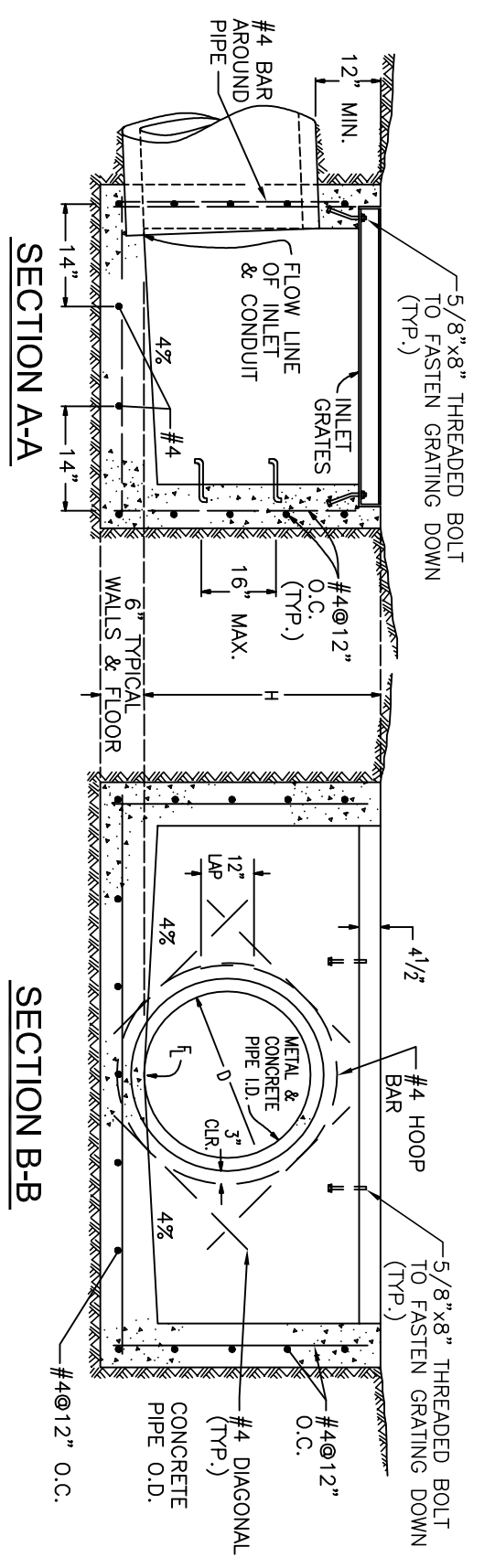


PLAN



GENERAL NOTES

1. CONCRETE SHALL BE CLASS B. INLET MAY BE CAST-IN-PLACE OR PRECAST.
2. REINFORCING BARS SHALL BE EPOXY COATED AND DEFORMED, AND SHALL HAVE A MINIMUM 2" CLEARANCE.
3. CONCRETE SLOPE AND DITCH PAVING SHALL CONFORM TO SECTION 507. REINFORCEMENT FOR CONCRETE SLOPE PAVING SHALL BE 6 X 6 - W1.4 X W1.4 OR 6 X 6 - W2.1 X W2.1.
4. STEPS SHALL BE PROVIDED WHEN INLET DIMENSION "H" EXCEEDS 3'-6" AND SHALL BE IN ACCORDANCE WITH AASHTO M 199.

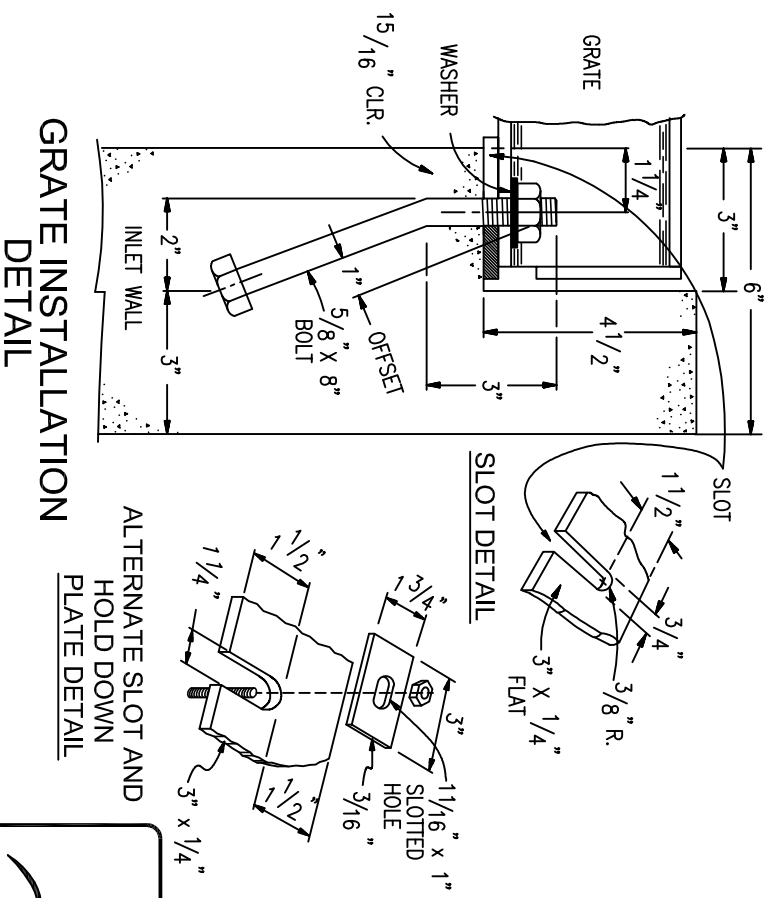
OUTLET PIPED (FEET)	MIN. H (FEET)
1.5	3.0
2.0	3.0
2.5	3.5
3.0	4.0
3.5	4.5
4.0	5.0

LEGEND



ABBREVIATIONS

CLR.	CLEARANCE
DIA.	DIAMETER
F	FLOW LINE
MAX.	MAXIMUM
MIN.	MINIMUM
O.C.	ON CENTER
TYP.	TYPICAL
#	NUMBER
⊙	AT



GRATE INSTALLATION DETAIL

ALTERNATE SLOT AND HOLD DOWN PLATE DETAIL

CITY OF FORT COLLINS UTILITIES
 STORMWATER CONSTRUCTION DETAILS
 P.O. BOX 580, FORT COLLINS, CO. 80522
 (970) 221-6700

AREA INLET
 LEVEL GRATE
 INSTALLATION

DRAWN BY: T. COX
 DATE DRAWN: 2/18/05
 CAD FILE NAME: D9C.dwg

DETAIL
 D-9C