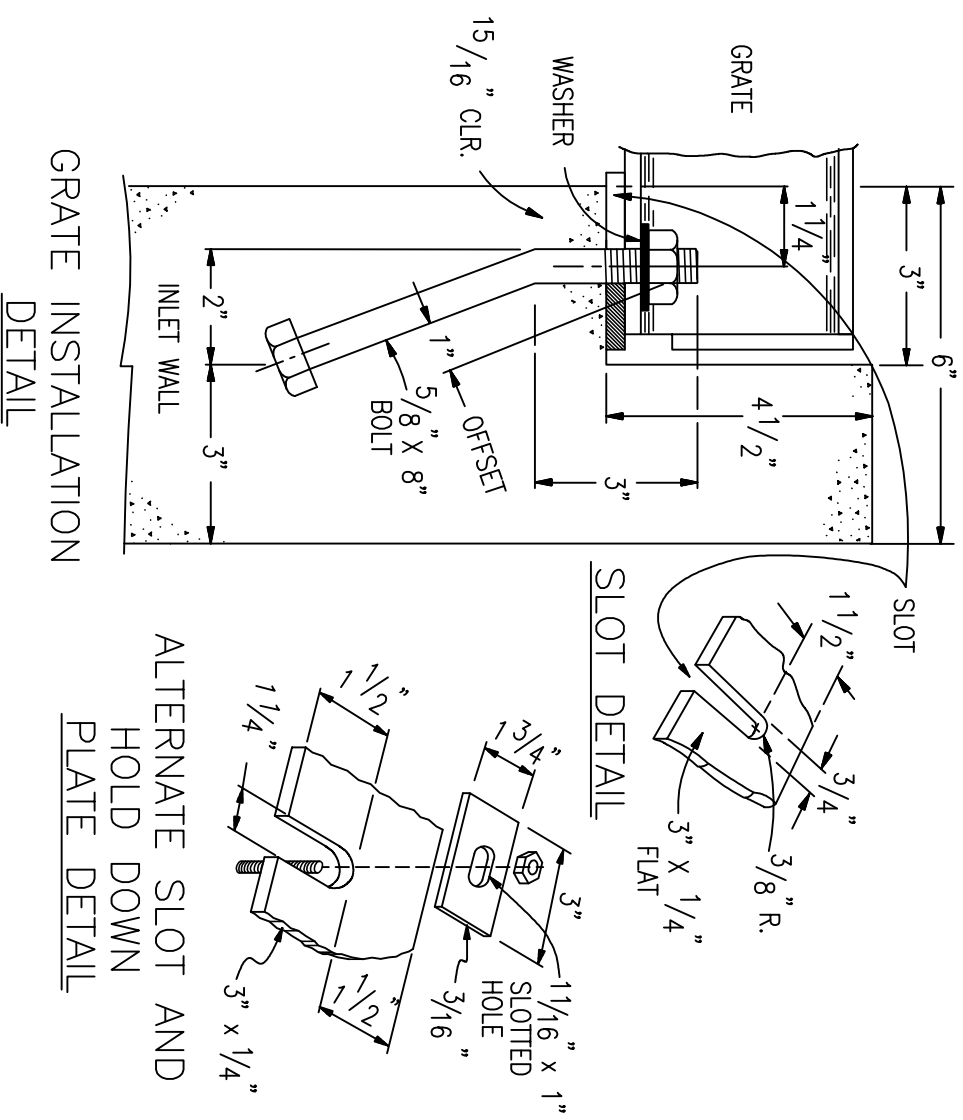


HYDRAULICALLY INEFFICIENT, POOR TOLERANCE FOR DEBRIS AND ICE. USE FOR PEDESTRIAN AND BICYCLE AREAS.

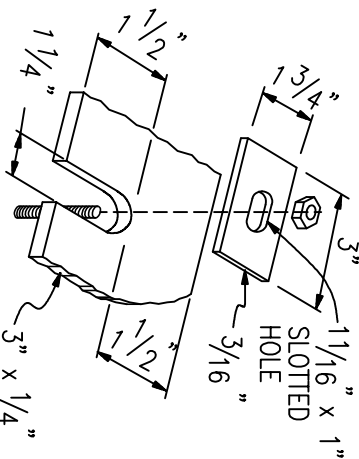
CLOSE MESH GRATE

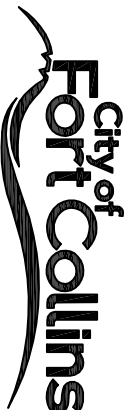
1. STRUCTURAL STEEL FOR GRATES AND GRATE INSTALLATION HARDWARE SHALL BE GALVANIZED AND SHALL BE IN ACCORDANCE WITH 712.06.
2. THE STANDARD INLET GRATES SHALL BE USED ON ALL TYPE C INLETS UNLESS CLOSE MESH GRATES ARE SPECIFIED ON THE PLANS.

GENERAL NOTES



ALTERNATE SLOT AND HOLD DOWN PLATE DETAIL





CITY OF FORT COLLINS UTILITIES
STORMWATER CONSTRUCTION DETAILS
 P.O. BOX 580, FORT COLLINS, CO. 80522
 (970) 221-6700

BICYCLE SAFE
TRAFFIC RATED AREA
INLET GRATE

DRAWN BY: T. COX
 DATE DRAWN: 2/18/05
 CAD FILE NAME: D9B.dwg
 DETAIL
D-9B