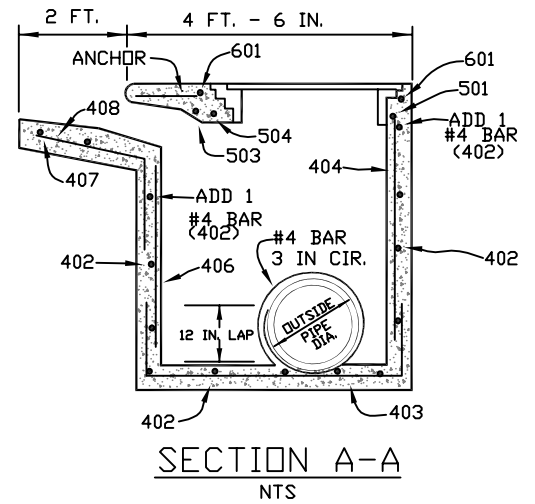
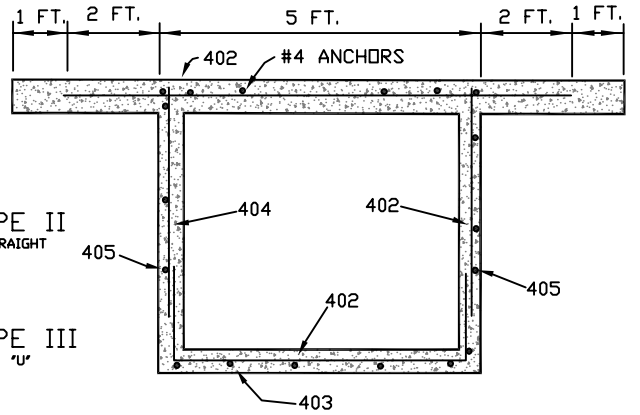


PLAN VIEW  
NTS



SECTION A-A  
NTS

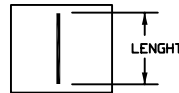


SECTION B-B  
NTS

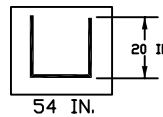
TABLE 1  
BAR LIST FOR CURB INLET

MARK	DIA. IN.	O.C. SPACING	TYPE	NO. REQ'D	LENGHT
401	1/2 IN.	8 IN.	II	4	3 FT. 10 IN.
402		12 IN.	III	*	7 FT. 10 IN.
403		12 IN.	IV	6	7 FT. 4 IN.
404		12 IN.	II	14	*
405		12 IN.	II	*	3 FT. 2 IN.
406		12 IN.	II	4	*
407		12 IN.	II	2	9 FT. 0 IN.
408		12 IN.	VII	4	3 FT. 4 IN.
501	5/8 IN.	9 IN.	II	2	9 FT. 0 IN.
502	5/8 IN.	9 IN.	II	1	4 FT. 8 IN.
503	5/8 IN.	9 IN.	II	1	9 FT. 0 IN.
504	5/8 IN.	6 IN.	VIII	2	4 FT. 8 IN.
601	3/4 IN.	-	-	1	8 FT. 10 IN.
8 C 8.5	-	-	-	1	5 FT. 0 IN.
ANCHOR	1/2 IN.	24 IN.	-	2	1 FT. 6 IN.

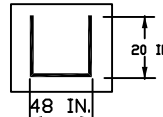
\*VARIABLE WITH HIGHT, REFER TO TABLE 2.



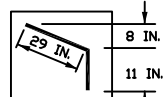
TYPE II  
STRAIGHT



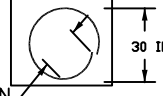
TYPE III  
"U"



TYPE IV  
"U"



TYPE VII  
BENT



TYPE VIII  
LOOP

BAR BENDING DIAGRAM  
(DIMENSION ARE OUT TO OUT OF BAR)

GENERAL NOTES:

1. QUANTITIES INCLUDE VOLUMES OCCUPIED BY PIPES. STRUCTURAL STEEL REINFORCEMENT AROUND PIPES ARE NOT INCLUDED.
2. KEY JOINTS WHERE WALSS CONNECT TO TOP SLAB AND BASE.
3. REINFORCEMENT IN WALLS AND BASE SHALL BE 3 IN. FROM THE SIDES EXPOSED TO EARTH. REINFORCEMENT IN TOP SLAB SHALL BE 1 1/2 IN CLEAR.

TABLE 2  
QUANTITIES VARIABLES WITH HEIGHT

H	LENGHT				C.Y. CONC.	L.B. STEEL
	402	405	404	406		
3 FT. 6 IN.	10	6	3 FT. 2 IN.	2 FT. 1 IN.	10	6
4 FT. 0 IN.	12	8	3 FT. 8 IN.	2 FT. 7 IN.	12	8
4 FT. 6 IN.	12	8	4 FT. 2 IN.	3 FT. 1 IN.	12	8
5 FT. 0 IN.	14	10	4 FT. 8 IN.	3 FT. 7 IN.	14	10
5 FT. 6 IN.	14	10	5 FT. 2 IN.	4 FT. 1 IN.	14	10
6 FT. 0 IN.	16	12	5 FT. 8 IN.	4 FT. 7 IN.	16	12
6 FT. 6 IN.	16	12	6 FT. 2 IN.	5 FT. 1 IN.	16	12
7 FT. 0 IN.	18	14	6 FT. 8 IN.	5 FT. 7 IN.	18	14
7 FT. 6 IN.	18	14	7 FT. 2 IN.	6 FT. 1 IN.	18	14
8 FT. 6 IN.	20	16	7 FT. 8 IN.	6 FT. 7 IN.	20	16
8 FT. 6 IN.	20	16	8 FT. 2 IN.	7 FT. 1 IN.	20	16
9 FT. 0 IN.	22	18	8 FT. 8 IN.	7 FT. 7 IN.	22	18
9 FT. 6 IN.	22	22	9 FT. 2 IN.	8 FT. 1 IN.	22	22
10 FT. 0 IN.	24	24	9 FT. 8 IN.	8 FT. 7 IN.	24	24

CURB INLET-4 FT. OPENING FOR VERT. CURB & GUTTER (REINFORCEMENT)



CITY OF  
FORT COLLINS  
UTILITIES  
FORT COLLINS, CO.  
(970) 221-6700

STORMWATER  
CONSTRUCTION DETAILS

APPROVED:  
DATE: 11/21/02  
DRAWN BY: NBJ

DETAIL  
D-7B