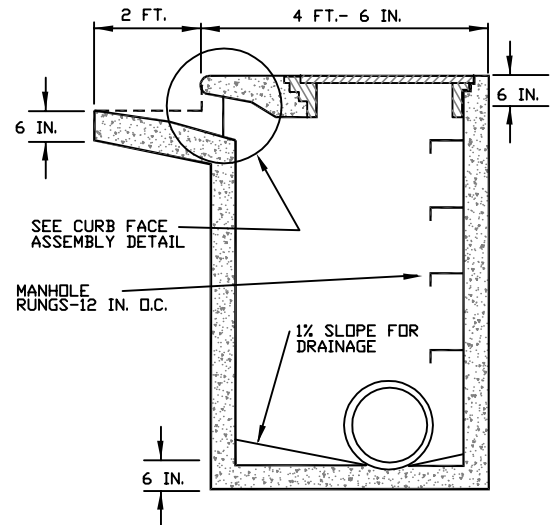
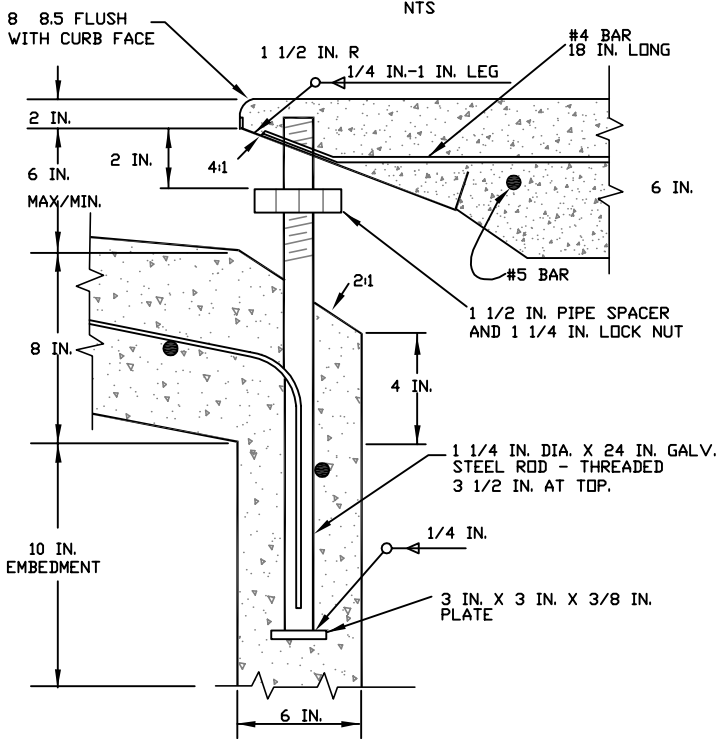


PLAN VIEW



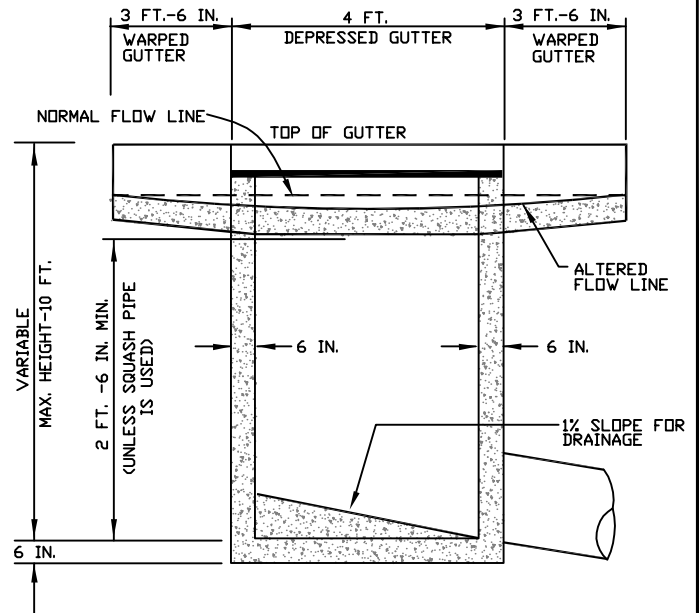
SECTION A-A



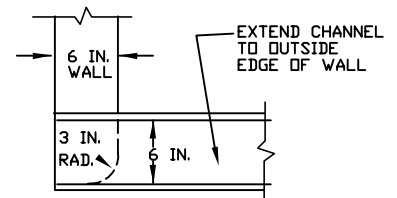
CURB FACE ASSEMBLY DETAIL

GENERAL NOTES

- SEE D-7B FOR REINFORCEMENT.
- FLOOR OF INLET SHALL BE SHAPED WITH ADDITION OF CONCRETE TO FORM INVERT TO PIPE CONNECTIONS.
- MANHOLE RUNGS SHALL BE REQUIRED FOR INLET HEIGHT 4 FT. AND GREATER.
- SIDEWALK SHALL BE 6 IN. THICK FOR 3 FT. ON EITHER SIDE OF INLET.
- TOP SLAB OF INLET SHALL BE SLOPE TO MATCH SIDEWALK. SEE D-6.
- EXPOSED STEEL SHALL BE GALVANIZED IN ACCORDANCE WITH AASHTO M-111.



SECTION B-B



DETAIL "A"

CURB INLET-4 FT. OPENING FOR VERT. CURB & GUTTER



CITY OF
FORT COLLINS
UTILITIES
FORT COLLINS, CO.
(970) 221-6700

STORMWATER
CONSTRUCTION DETAILS

APPROVED:

DATE: 11/19/02

DRAWN BY: NBJ

DETAIL
D-7A