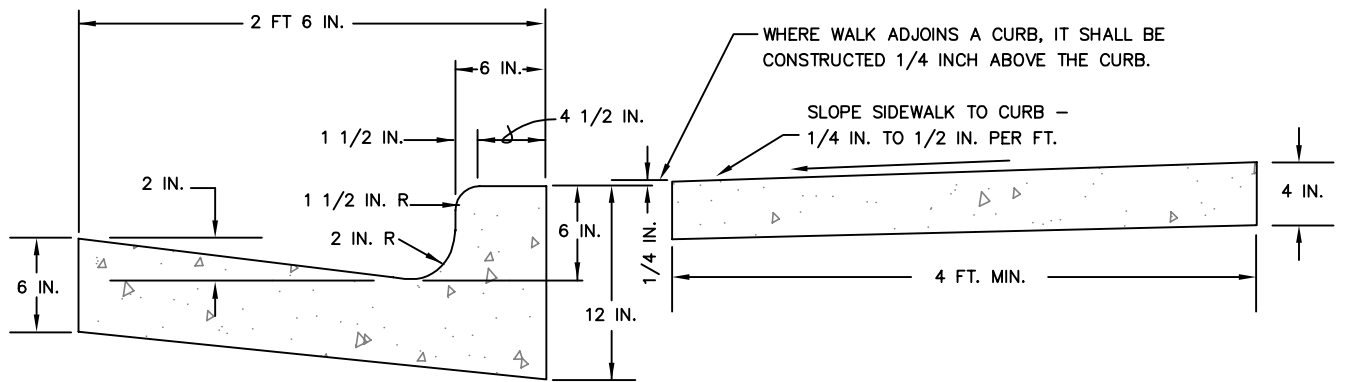
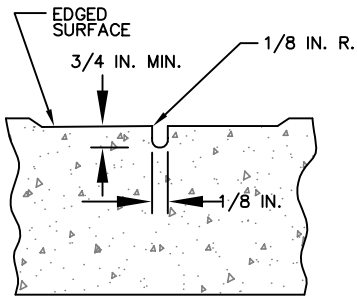


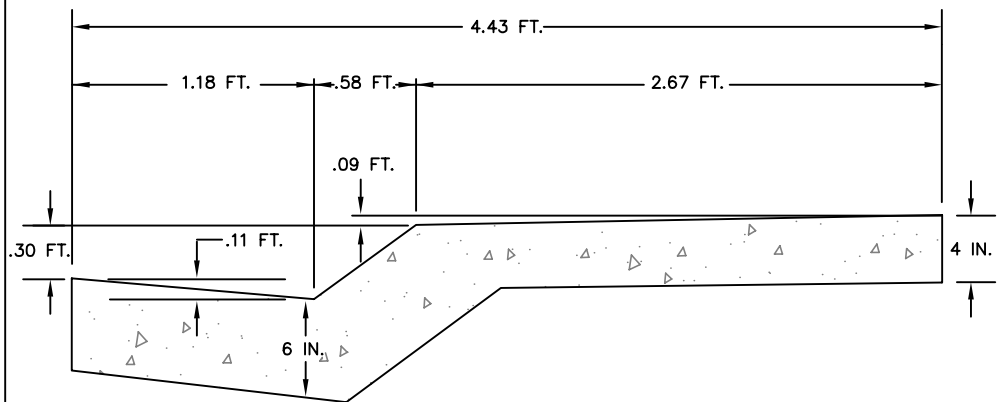
DRIVE-OVER CURB, GUTTER AND SIDEWALK



VERTICAL 6 IN. CURB, GUTTER AND SIDEWALK



DUMMY JOINT FOR WALKS



COMBINATION CURB, GUTTER AND SIDEWALK
"HOLLYWOOD"
(OBSOLETE - FOR REPLACEMENT ONLY)

CURB, GUTTER AND SIDEWALK DETAILS



CITY OF
FORT COLLINS
UTILITIES
FORT COLLINS, CO.
(970) 221-6700

STORMWATER
CONSTRUCTION DETAILS

APPROVED:
DATE: 11/13/00
DRAWN BY: NBJ

DETAIL
D-6