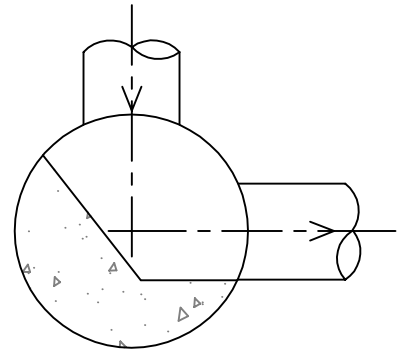
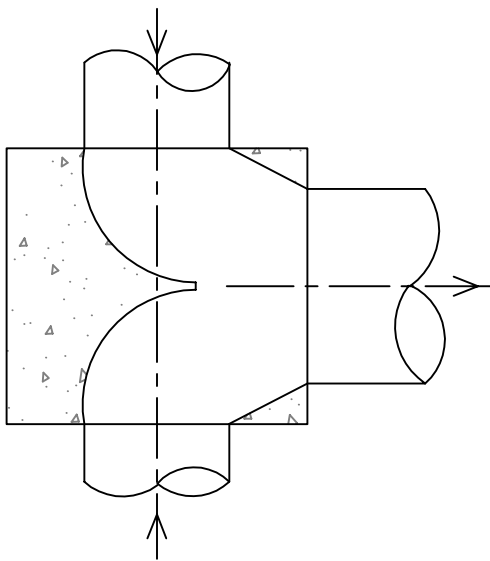


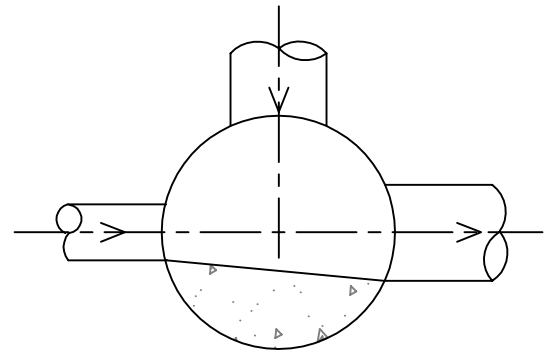
BEND WITH
CURVED DEFLECTOR



BEND WITH
STRAIGHT DEFLECTOR



DIRECTLY OPPOSED LATERAL
WITH DEFLECTOR



INLINE UPSTREAM MAIN &
90 LATERAL WITH DEFLECTOR

(HEAD LOSSES ARE STILL EXCESSIVE
WITH THIS METHOD, BUT ARE
SIGNIFICANTLY MORE THAN WHEN
NO DEFLECTOR EXISTS)

CHANNELING DETAILS FOR MANHOLES



CITY OF
FORT COLLINS
UTILITIES
FORT COLLINS, CO.
(970) 221-6700

STORMWATER
CONSTRUCTION DETAILS

APPROVED:

DATE: 11/9/00

DRAWN BY: NJB

DETAIL
D-5