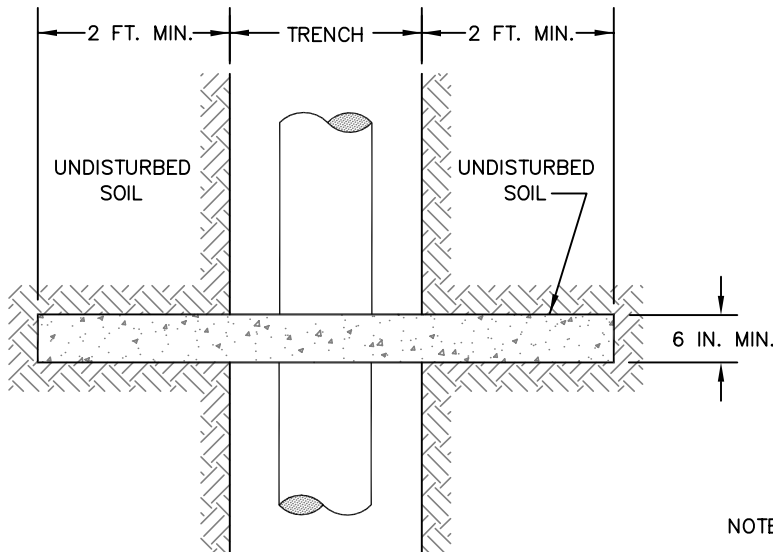
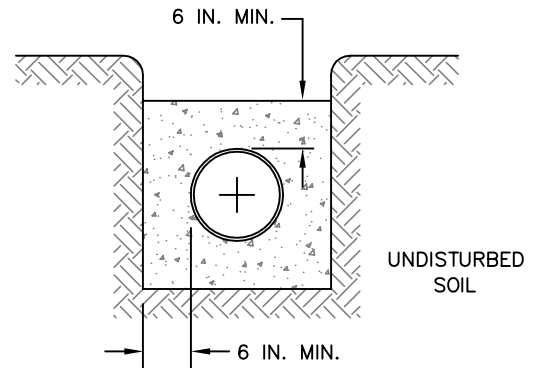


SIDE VIEW



SECTION A-A



SECTION B-B

NOTE: THIS IS A CONCEPTUAL DRAWING ONLY.
 ALL CUT-OFF WALLS SHALL BE DESIGNED BY
 THE DESIGN ENGINEER FOR EACH INSTALLATION.
 THE DESIGN SHALL INCLUDE ALL PERTINENT
 DIMENSIONS AND REINFORCING SIZES.

STORMWATER DITCH CROSSING DETAIL



CITY OF
 FORT COLLINS
 UTILITIES
 FORT COLLINS, CO.
 (970) 221-6700

STORMWATER
 CONSTRUCTION DETAILS

APPROVED:

DATE: 1/14/00

DRAWN BY: SKC

DETAIL
 D-2