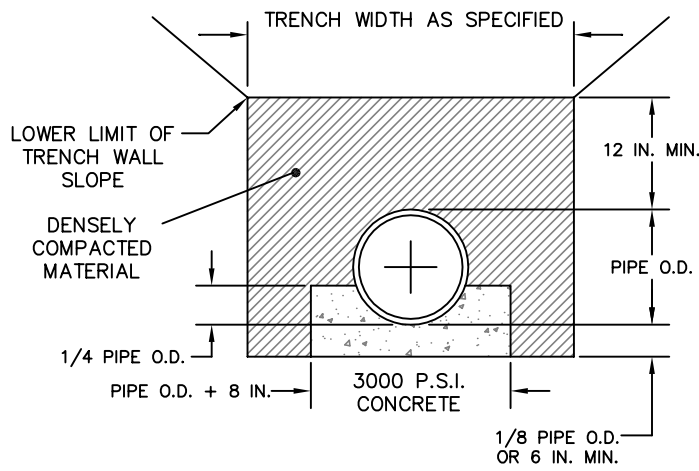
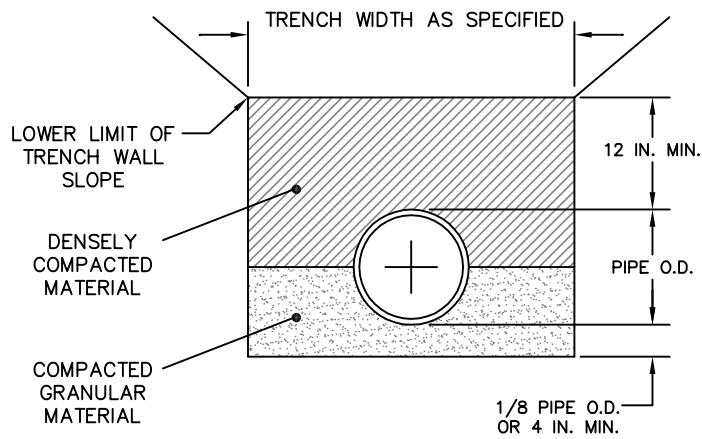


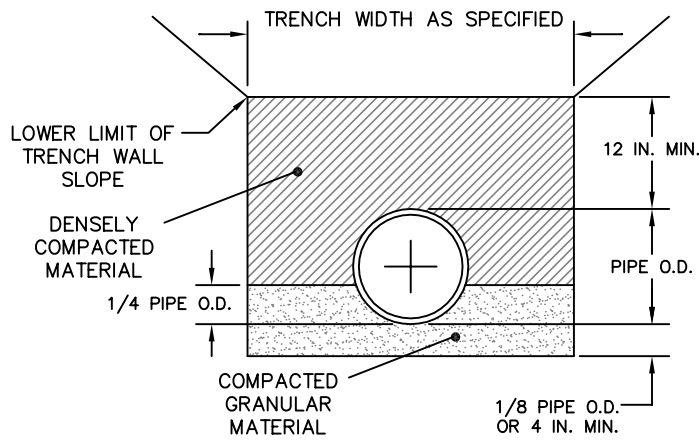
CLASS A BEDDING



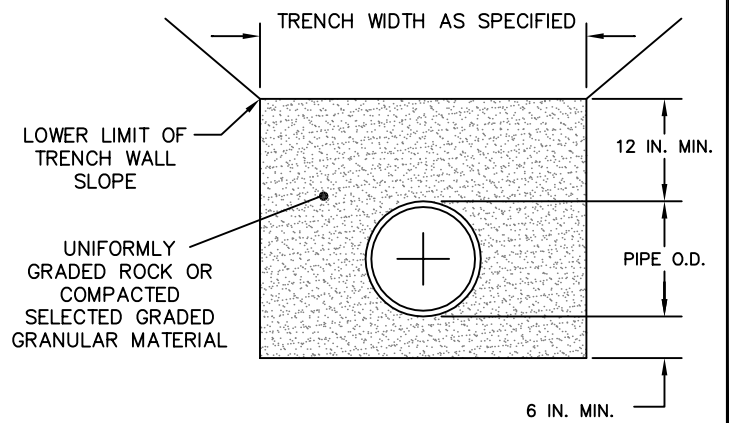
CLASS B BEDDING



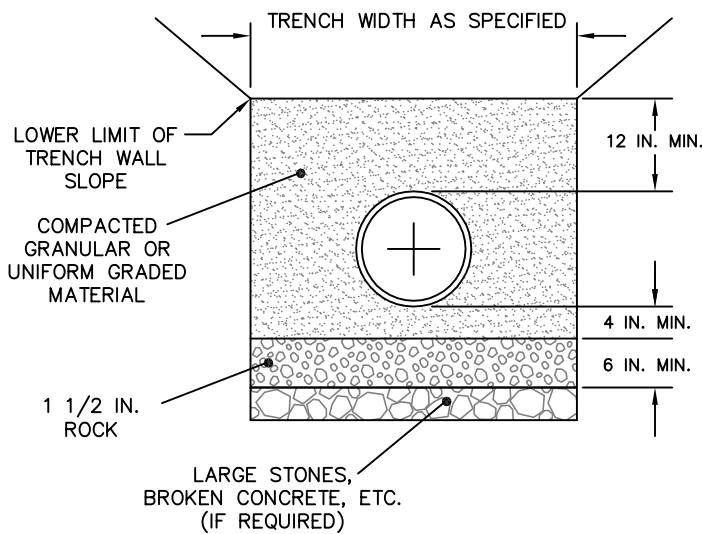
CLASS C BEDDING



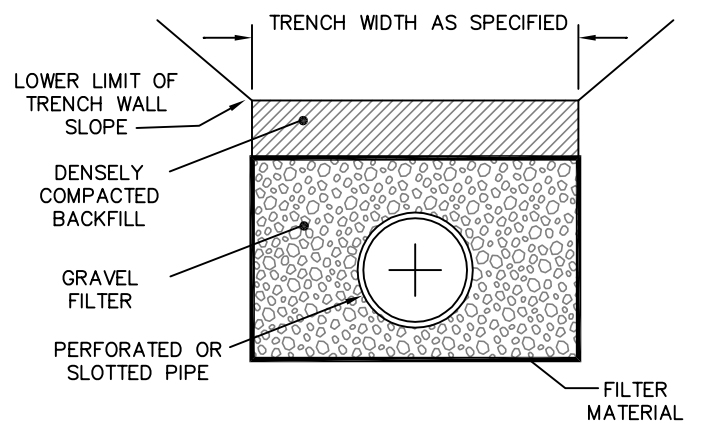
ROCK EXCAVATION



UNSTABLE SUBGRADE



SUBDRAIN DETAIL



NOTES:

1. TRENCH WIDTHS SHALL BE AS SPECIFIED ON PLANS.
2. REFER TO THE STORM SRAINAGE CONSTRUCTION STANDARDS, SECTION 6, "BEDDING MATERIALS" FOR GRADATIONS.

STORMWATER BEDDING REQUIREMENTS



CITY OF
FORT COLLINS
UTILITIES
FORT COLLINS, CO.
(970) 221-6700

STORMWATER
CONSTRUCTION DETAILS

APPROVED:

DATE: 1/12/00

DRAWN BY: SKC

DETAIL
D-1