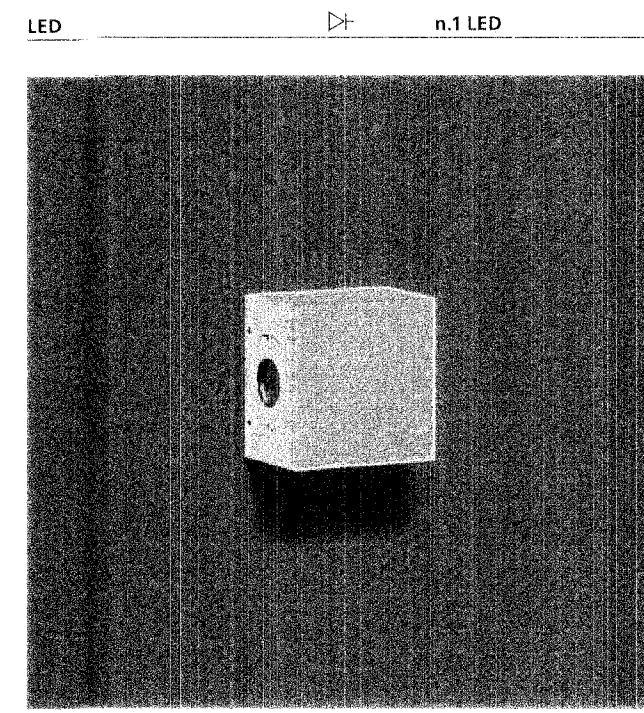


ALU 1 TYPE 'A'

Range of indoor and outdoor wall-mounted fittings.
 Anodized silver or black aluminum body.
 Anodized silver or black aluminum ring nut to secure the lens.
 Transparent glass cover.
 All versions are equipped with either white 3000 K or 6000 K LEDs.
 The ALU 1 - 6", ALU 1 - 25", ALU 1 - 40" and ALU 1 - 10"45" wall washer versions come complete with lenses.
 Remote drive only. For assistance with driver selection contact factory. (For integral version see ALU 1 1200277)
 An accessory wall plate is available for direct mounting to boxes.

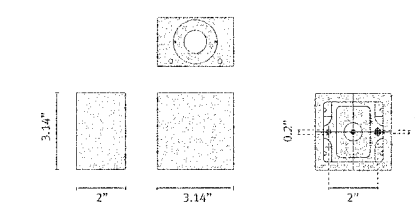
Nominal Flux (LED Source)	3000K	145 lm
	6000K	215 lm
Total Consumption (3000K-LED)		2.1 W



LED n.1 LED
 WEIGHT 1.50 LB

code	lamp	voltage	color	shape	φ
079034	n.1 LED 2.1W	700mA	Anodized Aluminum	3000	• 45
079036	n.1 LED 2.1W	700mA	Anodized Aluminum	6000	• 45
079038	n.1 LED 2.1W	700mA	Black	3000	• 45
079040	n.1 LED 2.1W	700mA	Black	6000	• 45
079042	n.1 LED 2.1W	700mA	Anodized Aluminum	3000	• 45
079044	n.1 LED 2.1W	700mA	Anodized Aluminum	6000	• 45
079046	n.1 LED 2.1W	700mA	Black	3000	• 45
079048	n.1 LED 2.1W	700mA	Black	6000	• 45
079050	n.1 LED 2.1W	700mA	Anodized Aluminum	3000	• 45
079052	n.1 LED 2.1W	700mA	Anodized Aluminum	6000	• 45
079054	n.1 LED 2.1W	700mA	Black	3000	• 45
079056	n.1 LED 2.1W	700mA	Black	6000	• 45
079058	n.1 LED 2.1W	700mA	Anodized Aluminum	3000	• 45
079060	n.1 LED 2.1W	700mA	Anodized Aluminum	6000	• 45
079062	n.1 LED 2.1W	700mA	Black	3000	• 45
079064	n.1 LED 2.1W	700mA	Black	6000	• 45

UL listed for wet location



elliptical beam 10°/45°

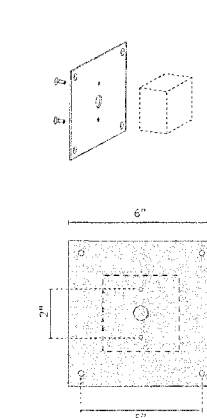
PRODUCT CODE	
PROJECT	
TYPE	

PRISMA ARCHITECTURAL
 PERFORMANCE IN LIGHTING USA, INC.
 2821 Keys Pointe
 Conyers, Georgia 30013 USA
 voice 770.822.2115 fax 770.822.9925
 toll free 866.973.2202
 web www.pri-usa.com
 email info@pri-usa.com

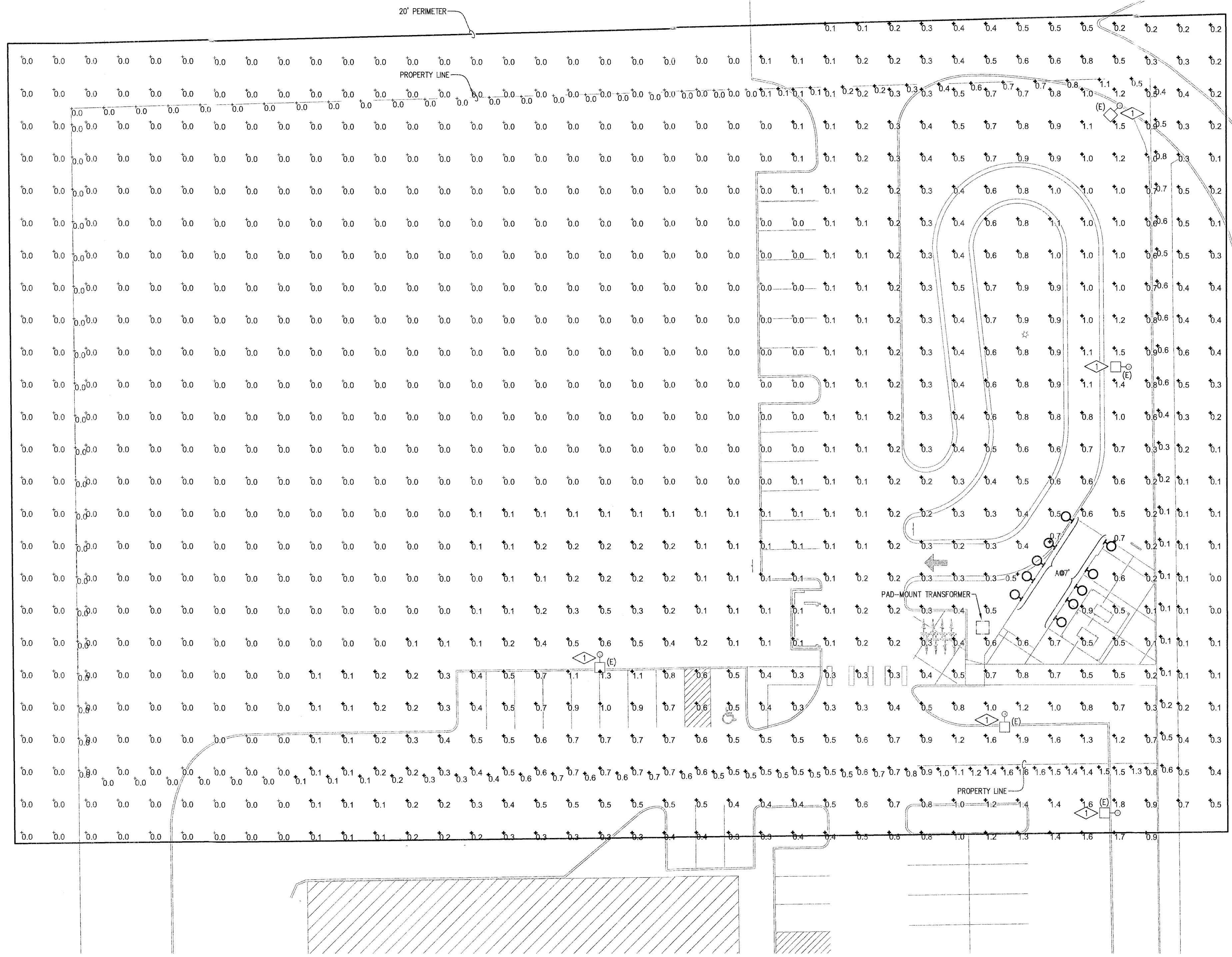
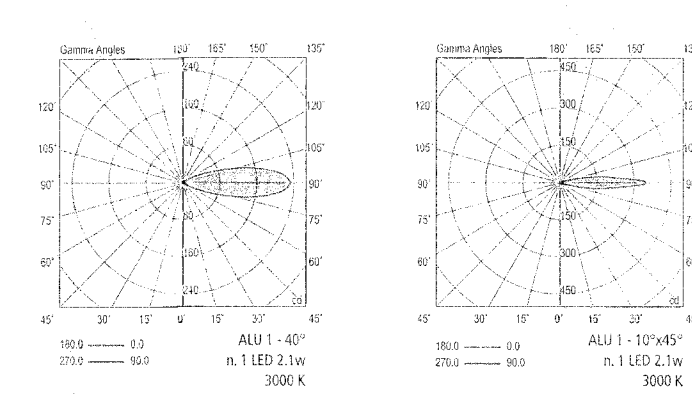
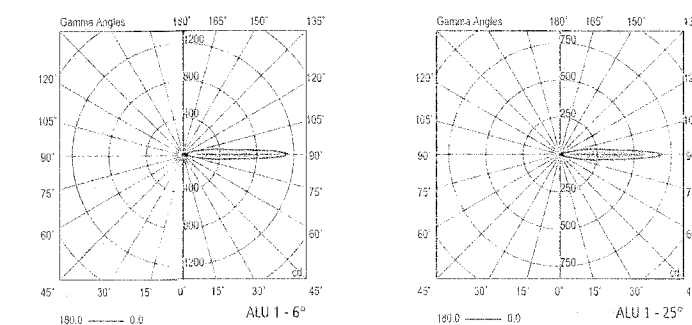
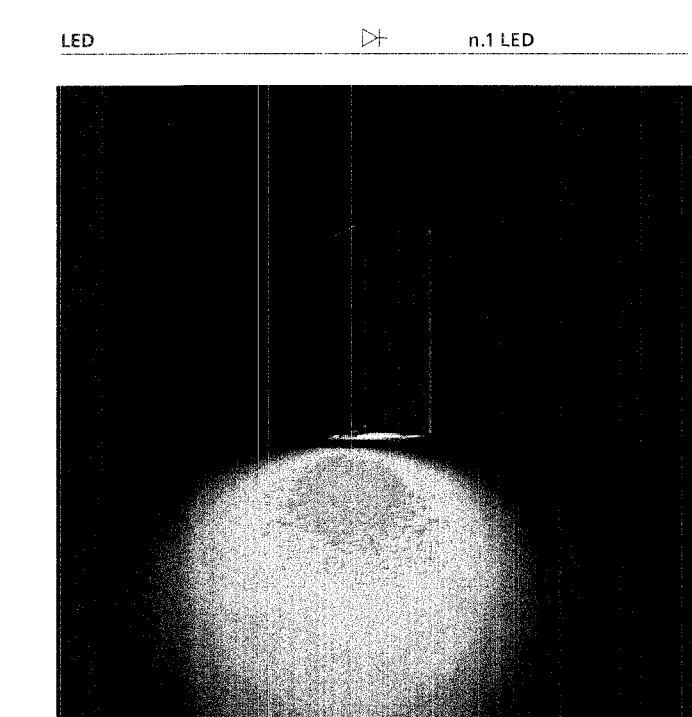
ALU 1

ACCESSORY
 A wall plate is provided as box cover (to order separately if needed).
 Necessary for new constructions.

code	description	color
07952	Plate cover (for ALU)	Black
07953	Plate cover (for ALU)	Anodized Aluminum
17082	LED Driver CC 0W 700 mA 120/277V	
17100	LED Driver CC 10W 700 mA 120/277V	



NOTE: PRISMA ALU 1 LED LIGHT FIXTURE SHALL BE DOWN-DIRECTIONAL ONLY.



1 SITE PHOTOMETRIC
 SCALE: 1" = 20'

DETAIL NOTES

- ALL EXISTING SITE LIGHT FIXTURES TO REMAIN. EXISTING LIGHT FIXTURES ARE POWERED AND CONTROLLED VIA ADJACENT 'SOUTHGATE CHURCH'. ZIGGI'S OWNER TO COORDINATE WITH CHURCH OWNER REGARDING FIXTURE USE, CONTROL AND UTILITY COST IF APPLICABLE.

EXTERIOR LIGHTING DESIGN CONCEPTS

- CALCULATIONS ARE USING POINT-TO-POINT METHOD WITH TEN FEET DISTANCE BETWEEN CALCULATION GRID POINTS. SOFTWARE USED: VISUAL 2.6.
- THE IESNA STANDARDS REPRESENT THE LOWEST ACCEPTABLE LEVELS FOR PROPER VISIBILITY AND RECOMMEND MINIMUM MAINTAINED LIGHT LEVELS FOR OPEN PARKING LOTS AT 0.2-0.5 FOOT CANDLES LEVEL FOR ENHANCED SECURITY CONDITIONS.

EXTERIOR LIGHTING OPERATION REQUIREMENTS

- ALL OUTDOOR LIGHTING NOT NECESSARY FOR SECURITY PURPOSES SHALL BE TURNED OFF DURING NOT-OPERATING HOURS. LIGHTING NECESSARY FOR PUBLIC HEALTH, SAFETY AND WELFARE PURPOSES MAY BE ACTIVATED BY MOTION SENSING DEVICES. ALL OUTDOOR LIGHTING ON PRIVATE PROPERTY SHALL BE TURNED OFF BETWEEN 11:00 PM AND SUNRISE UNLESS EXEMPTED.
 - LIGHTING MAY REMAIN ON WHILE THE BUSINESS FACILITY IS OPEN TO THE PUBLIC.
 - LIGHTING MAY REMAIN ON WHILE IT IS USED FOR SECURITY PURPOSES OR TO ILLUMINATE WALKWAYS, ROADWAYS, DRIVEWAYS, EQUIPMENT OR STORAGE YARDS, AND PARKING LOTS WHERE ACCESSIBLE AT NIGHT, AS APPROVED BY CITY AUTHORITIES.

Symbol	Label	Quantity	Manufacturer	Catalog Number	Description	Lamp	Number Lamps	Filename	Lumens Per Lamp	Light Loss Factor	Wattage
(E)		5	Lithonia Lighting	KAD LED 300 530 30K R4 MVOLT	KAD LED, 30 LED, 530mA MVOLT DRIVER, 3000K, TYPE 4 OPTICS.	LED	1	Existing - KAD LED 300_53 0_30K_R4_MVOLT .ies	6147.566	1	53
A		10	PRISMA	079042	307485 ALU-1-2.1W 3000K	LED	1	A - 079042 .ies	145.033	1	2.1

Statistics						
Description	Symbol	Avg	Max	Min	Max/Min	Avg/Min
Property Line	+	0.3 fc	1.6 fc	0.0 fc	N/A	N/A
Site Plan	+	0.2 fc	1.9 fc	0.0 fc	N/A	N/A

MDP ENGINEERING GROUP
 1800 GLENARM PLACE, SUITE 800
 DENVER, CO 80202
 PH: 303.389.0095 | FAX: 303.389.0098
 EMAIL: MDP@MDPEG.COM

August 02, 2017

© COPYRIGHT, 2017
 BY MDP ENGINEERING GROUP, P.C.
 These plans are the intellectual property of MDP ENGINEERING GROUP, P.C. and may not be duplicated, reproduced or disclosed without written consent. Copyrights and infringements will be strictly enforced.

ZIGGI'S COFFEE - FT. COLLINS
 6533 S. COLLEGE AVENUE
 FORT COLLINS, CO 80525

NO.	REVISION/ISSUE	DATE
	SDP PERMIT	06.20.17
	FDP RESPONSE	08.03.17
	FDP RESPONSE	11.01.17

MDP JOB #: 17XXKJ01
 DESCRIPTION:
SITE PHOTOMETRIC
 DRAWN BY: _____ CHECKED BY: _____
 DATE: 06.20.17 SCALE: _____
 SHEET: _____

EI.0