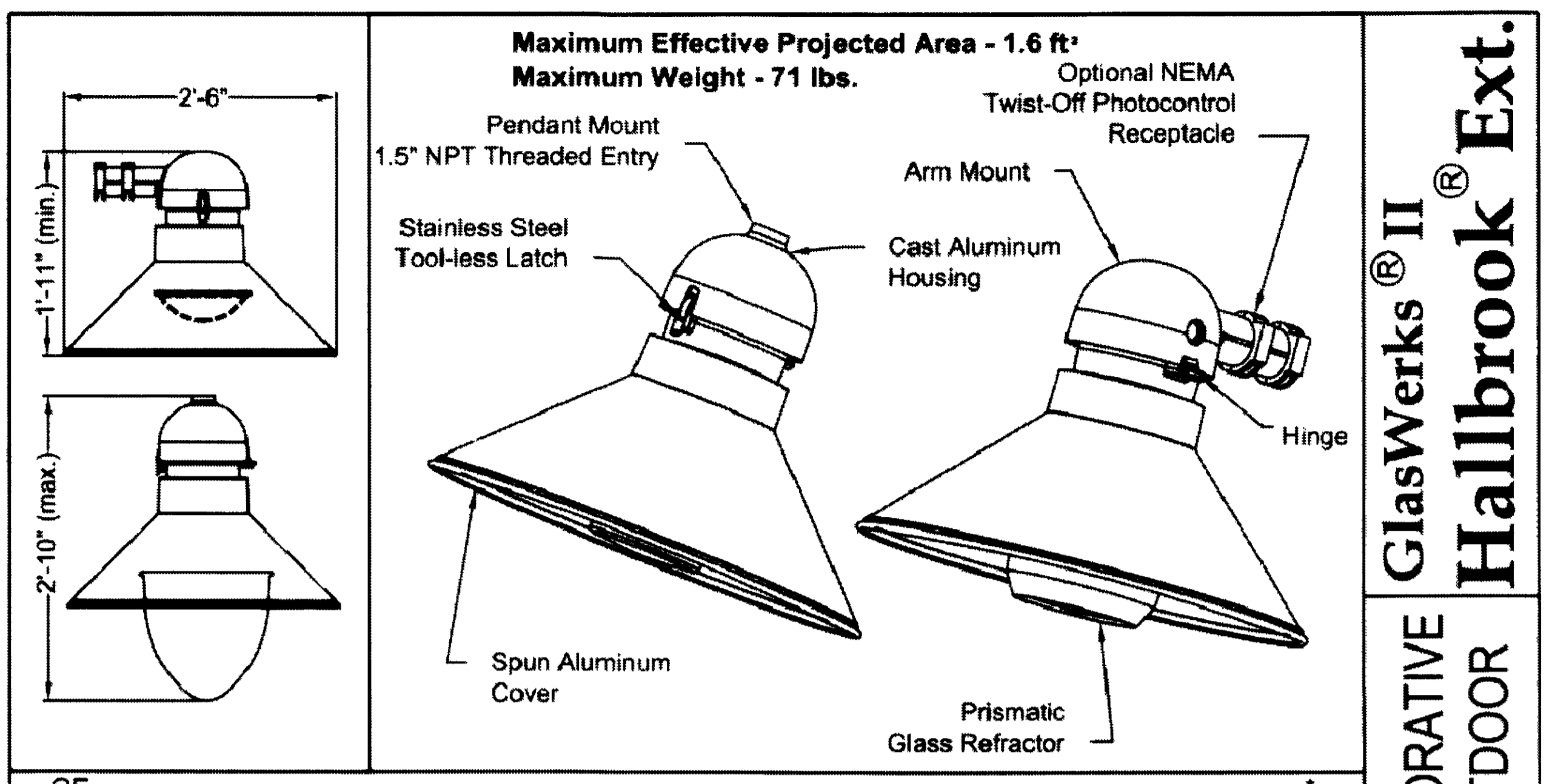
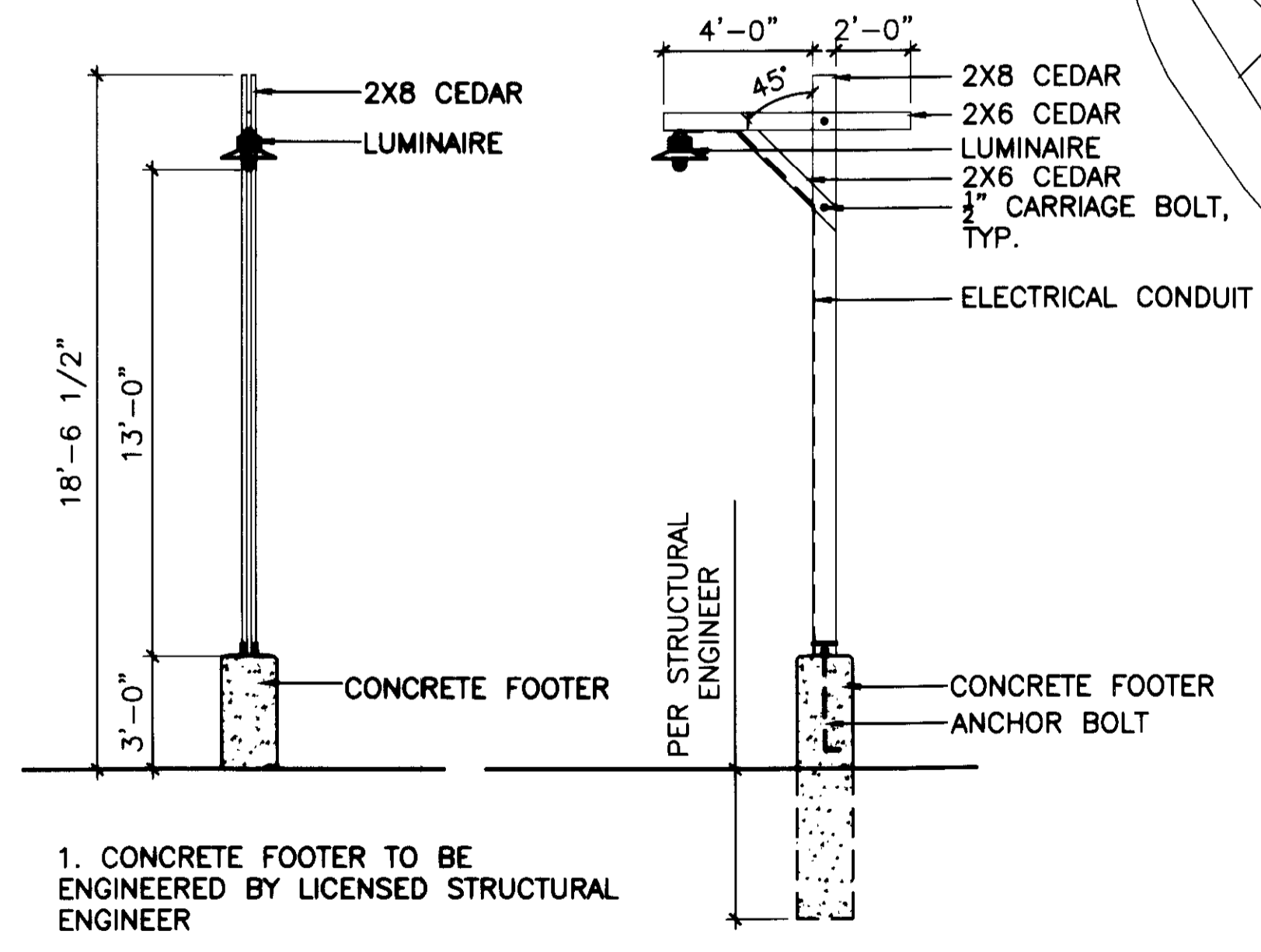


LUMINAIRE SCHEDULE



GLASWERKS<sup>®</sup> II  
HALLBROOK<sup>®</sup> EXT.  
NATIVE  
DOOR

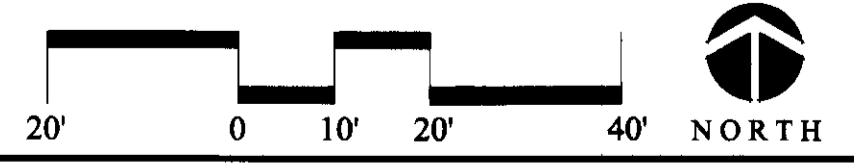
NOTES:  
1. SEE DETAIL B, THIS SHEET FOR LIGHT DIMENSIONS.  
2. GLASWERKS II HALLBROOK EXT. OR EQUAL COLOR - BRONZE  
3. H101 OR EQUAL



1. CONCRETE FOOTER TO BE ENGINEERED BY LICENSED STRUCTURAL ENGINEER

B LIGHT - PARKING LOT  
SCALE: 1/4"=1'-0"

A LIGHTING PLAN  
SCALE: 1"=20'-0"



ORDERING INFORMATION		LAMP TYPE		VOLTAGE		DISTRIBUTION		OPTIONS		LAMP		FINISH	
EXAMPLE:	H101	36	700M	120	FT	SF	LPIC						
Model	Height	Voltage	Distribution	Lamp	Finish								
<input type="checkbox"/> H101	<input type="checkbox"/> 36 <input type="checkbox"/> 42	<input type="checkbox"/> 120 <input type="checkbox"/> 277 <input type="checkbox"/> 300 <input type="checkbox"/> 277 <input type="checkbox"/> 277	<input type="checkbox"/> 400 <input type="checkbox"/> CLPM Symmetrical 300 <input type="checkbox"/> 15° Symmetrical <input type="checkbox"/> 180°	<input type="checkbox"/> LPI Lamp <input type="checkbox"/> CLPC Lamp <input type="checkbox"/> 150/277 <input type="checkbox"/> 120/277	<input type="checkbox"/> BK Black <input type="checkbox"/> BR Bronze <input type="checkbox"/> CR Chrome <input type="checkbox"/> MA - Matte <input type="checkbox"/> MI - Matte <input type="checkbox"/> MI - Matte <input type="checkbox"/> MI - Matte <input type="checkbox"/> MI - Matte <input type="checkbox"/> MI - Matte <input type="checkbox"/> MI - Matte								

**Specifications**  
MATERIAL: Copper-Free Aluminum, ASSI LAMP: Fluorescent, 42 Watt Max. Triple Tube, MID 70 Watt Max. T5, T5-20 Watt Max. Coated S773-3000 Clear Lamp is recommended. LAMP VOLTAGE: See ordering guide. DISTRIBUTION: SYMM. Dynamic, FT Forward Throw. LENS: Clear Bore-Silicate for coated lamps. Frosted Bore-Silicate for clear lamps. BALLAST: Intermittently magnetic or electronic ballast with low starting temperature. FASTENERS: Stainless Steel FINISH: See ordering guide. LISTINGS: ILL, DUL

LUMINAIRE SCHEDULE

Symbol	Label	Qty	Catalog Number	Description	File	Lumens	LLF	Watts
●	A2	8	GE175PM000X585	GLASWERKS II HALLBROOK EXTENDED, 175W CLEAR PMH MOUNTED AT 18 FT	GE175M000X	17500	0.76	396
○	B	8	H101/H102-100M-SYM	HOLOPHANE H101 LOUVER BOLLARD, SYMMETRIC DISTRIBUTION WITH COATED 100W MH ED-17	H101_H102-100M-SYM	7900	0.70	133.4

STATISTICS

Description	Avg	Max	Min	Max/Min	Avg/Min
Entrance Area	3.5 fc	6.8 fc	2.2 fc	3.1:1	1.6:1
Parking Area	2.3 fc	5.8 fc	1.1 fc	5.3:1	2.1:1

NOTES:  
1. Calculations shown are Maintained Horizontal Footcandle at 0 ft AFG.  
2. Calculations are based on a Total Light Loss Factor of 0.76 for Type A and 0.70 for Type B.

REV.	COMMENT	DATE

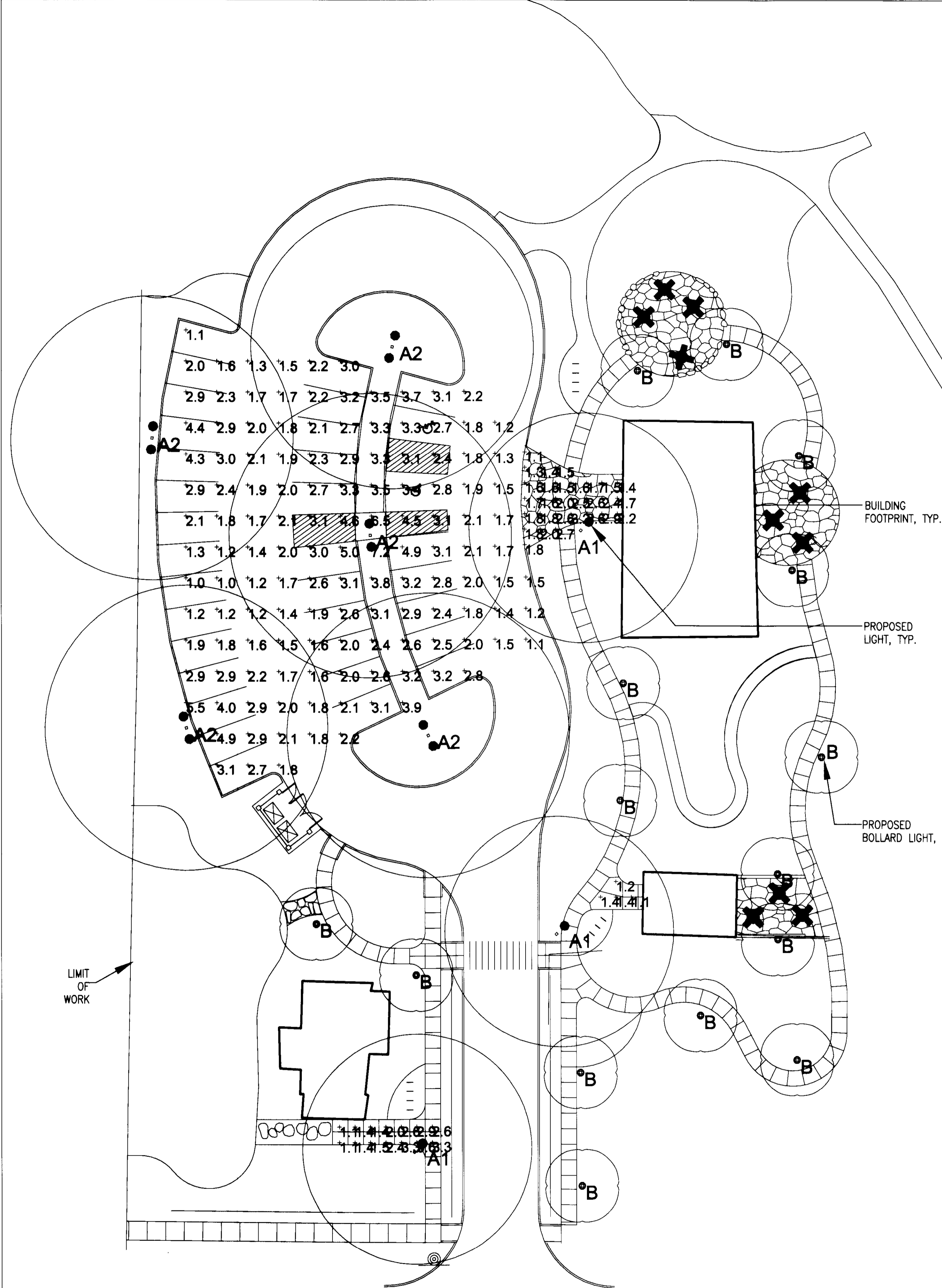


BELLISSIMO  
INDUSTRIAL & COMMERCIAL DEVELOPMENT  
RUSSELL + MILLS studios  
141 s. college ave., suite 104  
fort collins, co 80524  
p: 970.494.8855  
www.russellmillsstudios.com

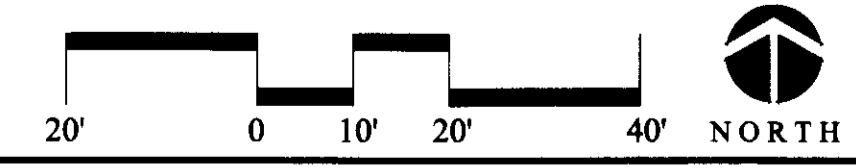
BUCKING HORSE FILING TWO  
WORKING FARM  
LIGHTING PLAN  
FINAL DEVELOPMENT PLAN

Date: DEC 14, 2012  
Drawn By: KT/SL  
Checked By: CR/PM

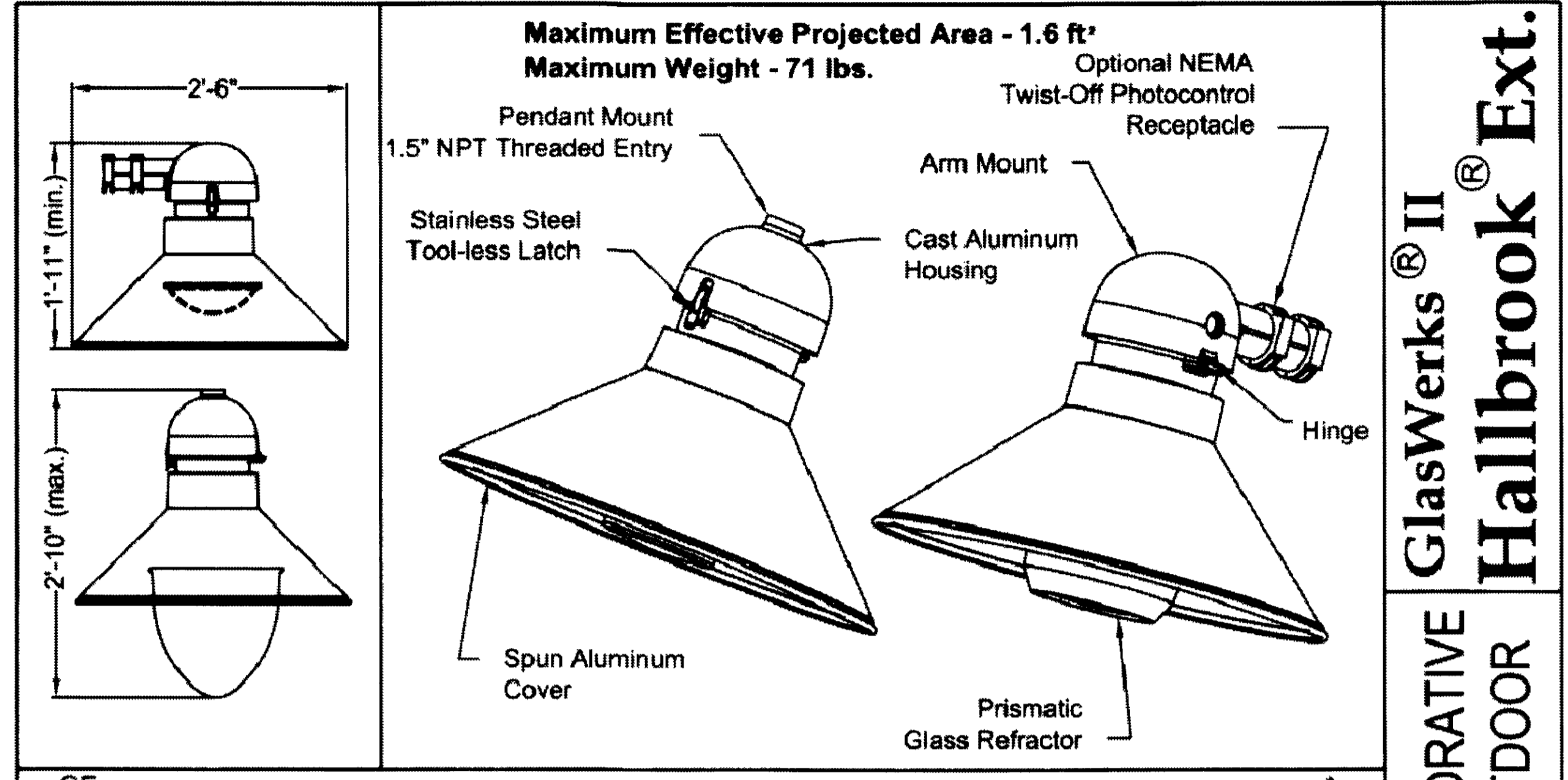
This unofficial copy was downloaded on Jul-16-2019 from the City of Fort Collins Public Records Website: <http://citydocs.fgov.com>  
For additional information or an official copy, please contact Engineering Office 281 North College Fort Collins, CO 80521 USA.



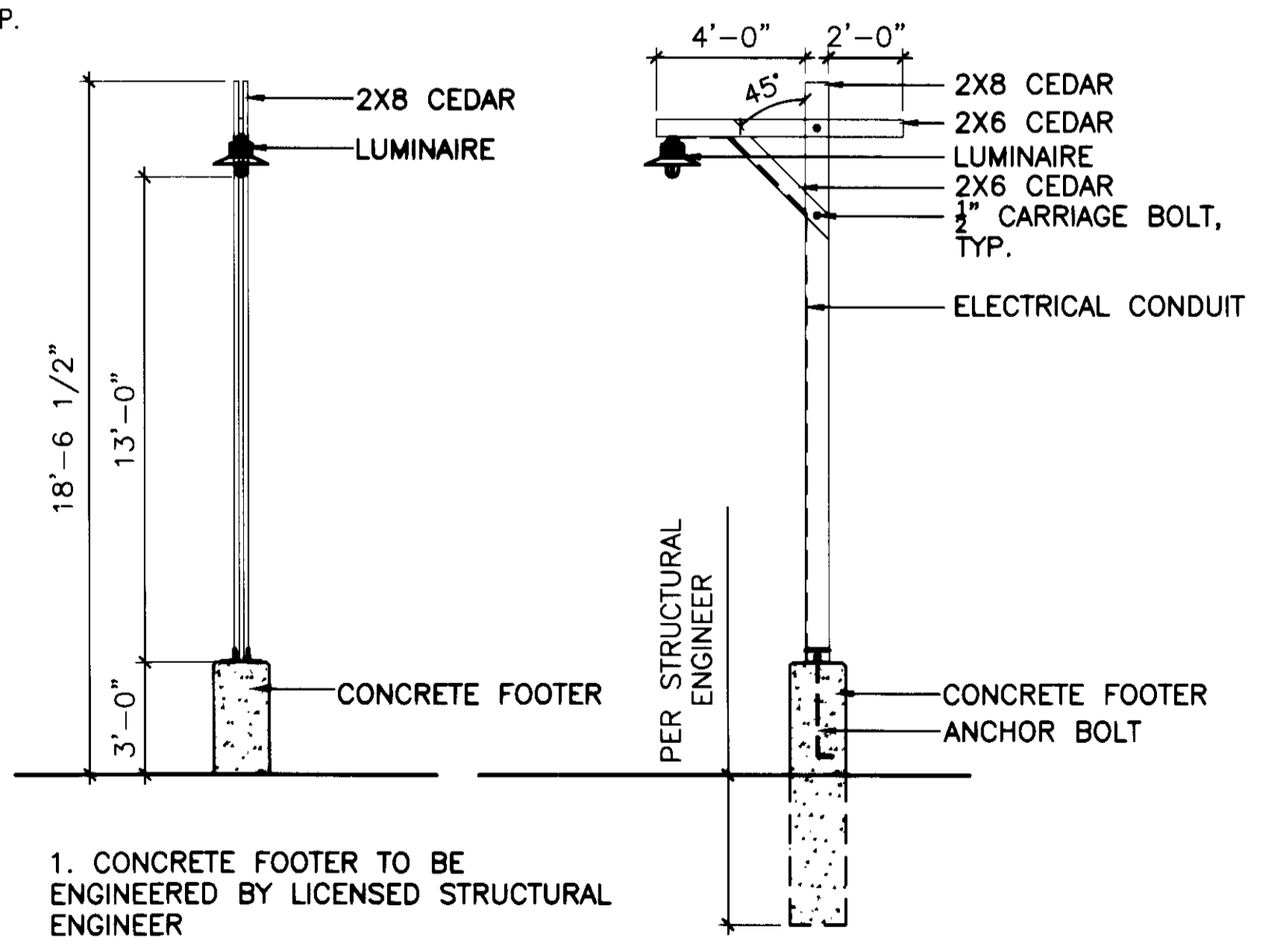
**A** LIGHTING PLAN  
SCALE: 1"=20'-0"



LUMINAIRE SCHEDULE



- NOTES:  
 1. SEE DETAIL B, THIS SHEET FOR LIGHT DIMENSIONS.  
 2. GLASWERKS II HALLBROOK EXT. OR EQUAL COLOR - BRONZE  
 3. H101 OR EQUAL



**B** LIGHT - PARKING LOT  
SCALE: 1/4"=1'-0"

PRODUCT	HEIGHT	LAMP TYPE	VOLTAGE	DISTRIBUTION	OPTIONS	LAMP	FINISH
H101	36	70W	120V	FT	SF	LPC	BK
Model	Height	Voltage	Distribution	Lamp	Finish		
<input type="checkbox"/> H101	<input type="checkbox"/> 36	<input type="checkbox"/> 70W	<input type="checkbox"/> FT	<input type="checkbox"/> LPC	<input type="checkbox"/> BK		
<b>Options:</b> <input type="checkbox"/> 1.5" NPT Threaded Entry <input type="checkbox"/> Cast Aluminum Housing <input type="checkbox"/> Prismatic Glass Refractor <input type="checkbox"/> Hinge <input type="checkbox"/> Twist-Off Photocontrol Receptacle <input type="checkbox"/> Optional NEMA 1.5" NPT Threaded Entry <input type="checkbox"/> Stainless Steel Tool-less Latch <input type="checkbox"/> Spun Aluminum Cover							
<b>Specifications:</b> MATERIAL: Copper Free Aluminum, A380 LAMP: Fluorescent, 42 Watt Max. Triple Tube, MD: 70 Watt Max. T8: 100 Watt Max. Control: Electronic Ballast Lamp is recommended. <b>VOLTAGE:</b> See ordering guide. <b>DISTRIBUTION:</b> SYM Symmetric, FT Forward Throw. <b>LENS:</b> Clear Prismatic lens for control spots. <b>FRONT BEZEL:</b> Clear for clear lenses. <b>BALLAST:</b> Integrally mounted magnetic or electronic ballast with low starting temperature. <b>FASTENERS:</b> Stainless Steel. <b>FINISH:</b> See ordering guide. <b>LISTINGS:</b> UL, CUL							

REV.	COMMENT	DATE

**BUCKING HORSE**

**BELLISIMO**  
 ENGINEERING AND ARCHITECTURE  
 BELLISIMO, INC., Suite 201  
 3702 Manhattan Ave., Fort Collins, CO 80526  
 970-229-5900

**BUCKING HORSE FILING TWO**  
**JOHNSON FARM INNOVATION CAMPUS LIGHTING PLAN**  
 FINAL DEVELOPMENT PLAN

Date: DEC 14, 2012  
 Drawn By: KT/SL  
 Checked By: CR/PM

This unofficial copy was downloaded on Jul-16-2019 from the City of Fort Collins Public Records Website: http://citydocs.fgov.com  
 For additional information or an official copy, please contact Engineering Office 281 North College Fort Collins, CO 80521 USA.