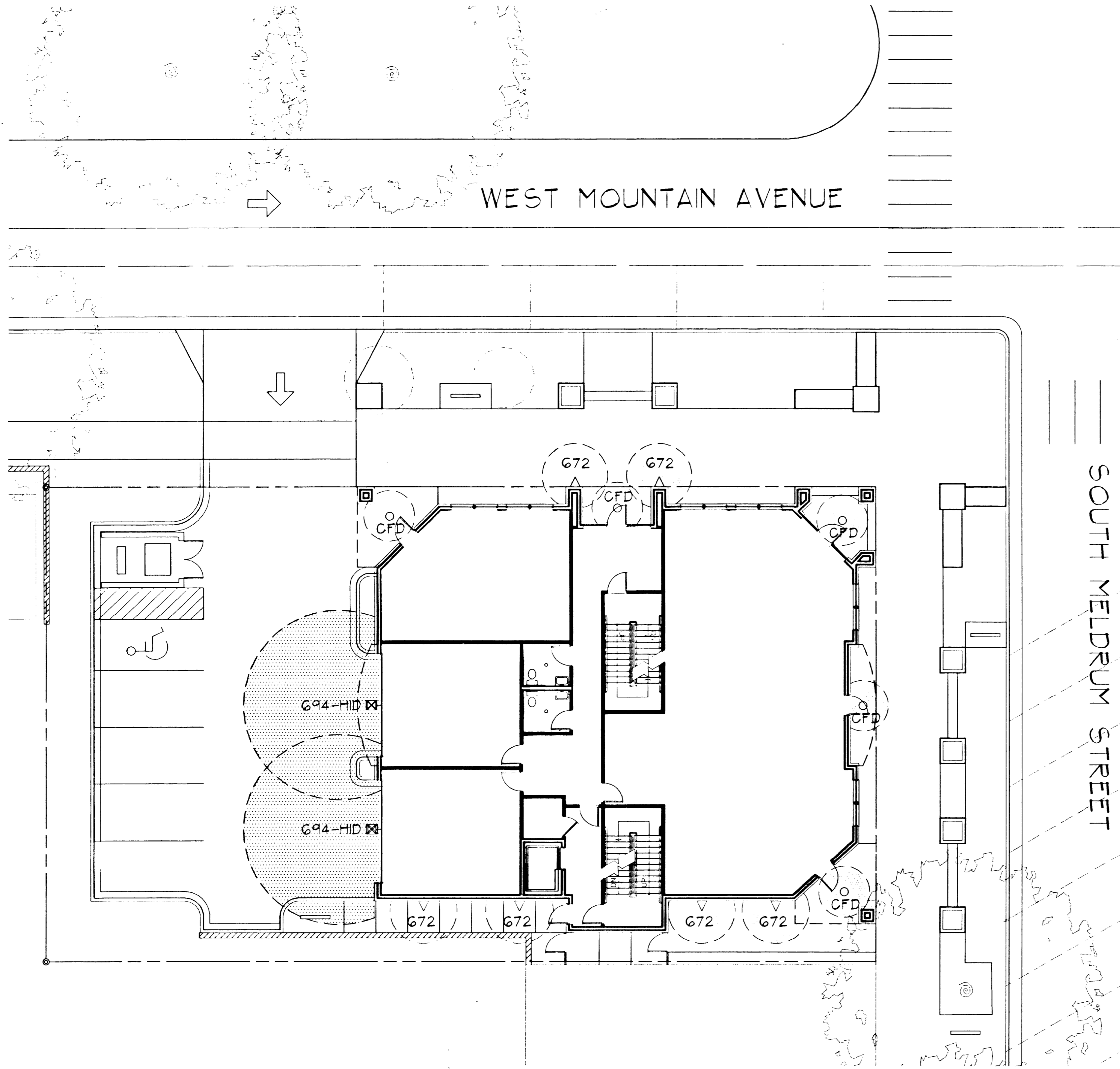


LIGHT DISTRIBUTION PATTERNS



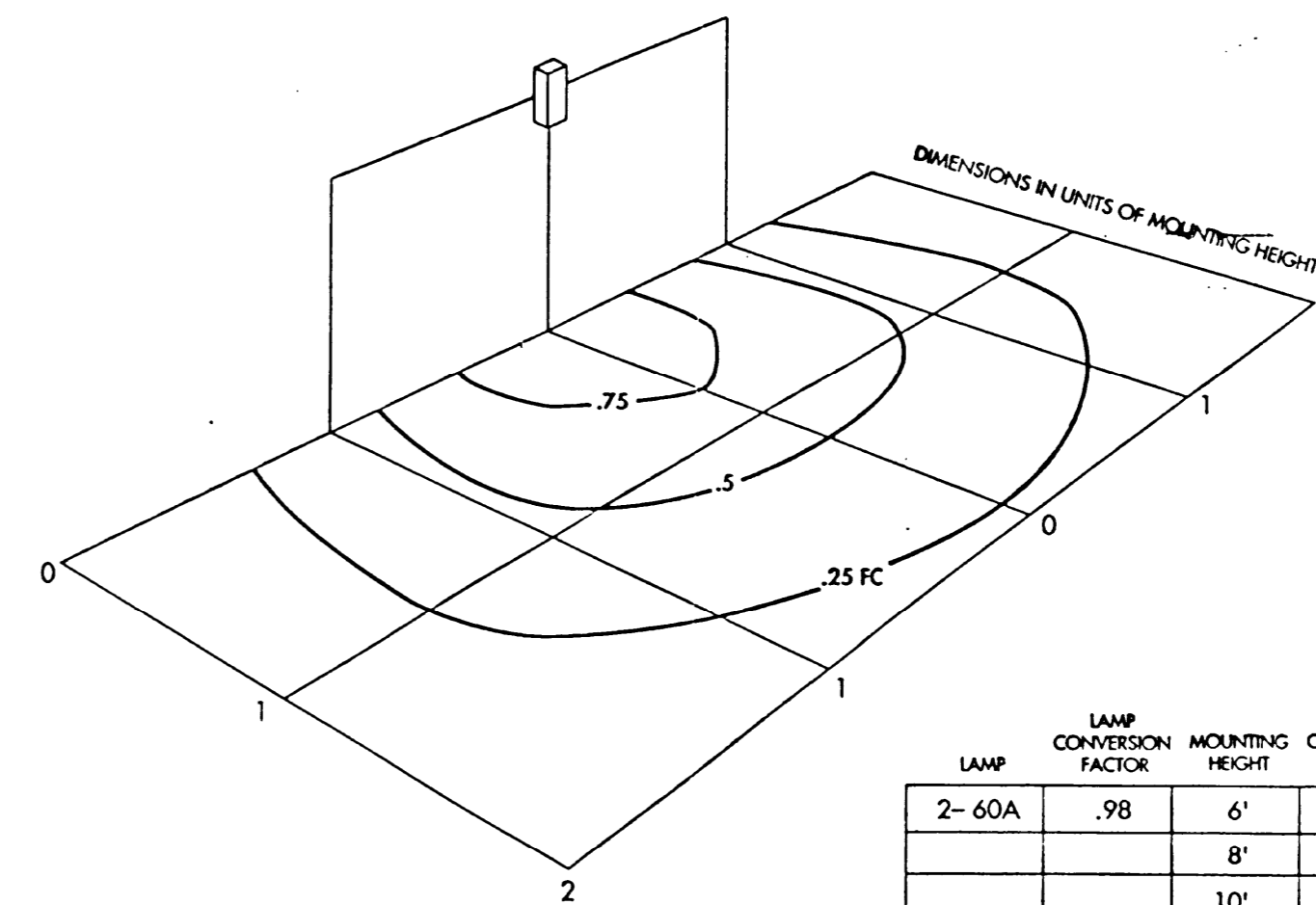
LIGHTING PLAN
SCALE: 1"=10'

LEGEND

- △ 672-CF Light
Photometric projection at 1' candle
 - ⊠ 694-HID Light
Photometric projection at 1' candle
 - CFD - Compact fluorescent downlights
(recessed)
- All lighting to be down-directional sharp cut-off fixtures

672-CF
BASED ON 10 FT. MOUNTING HEIGHT
LAMP: 2- F13TT COMPACT FLUOR.
LENS: WHITE ACRYLIC

672



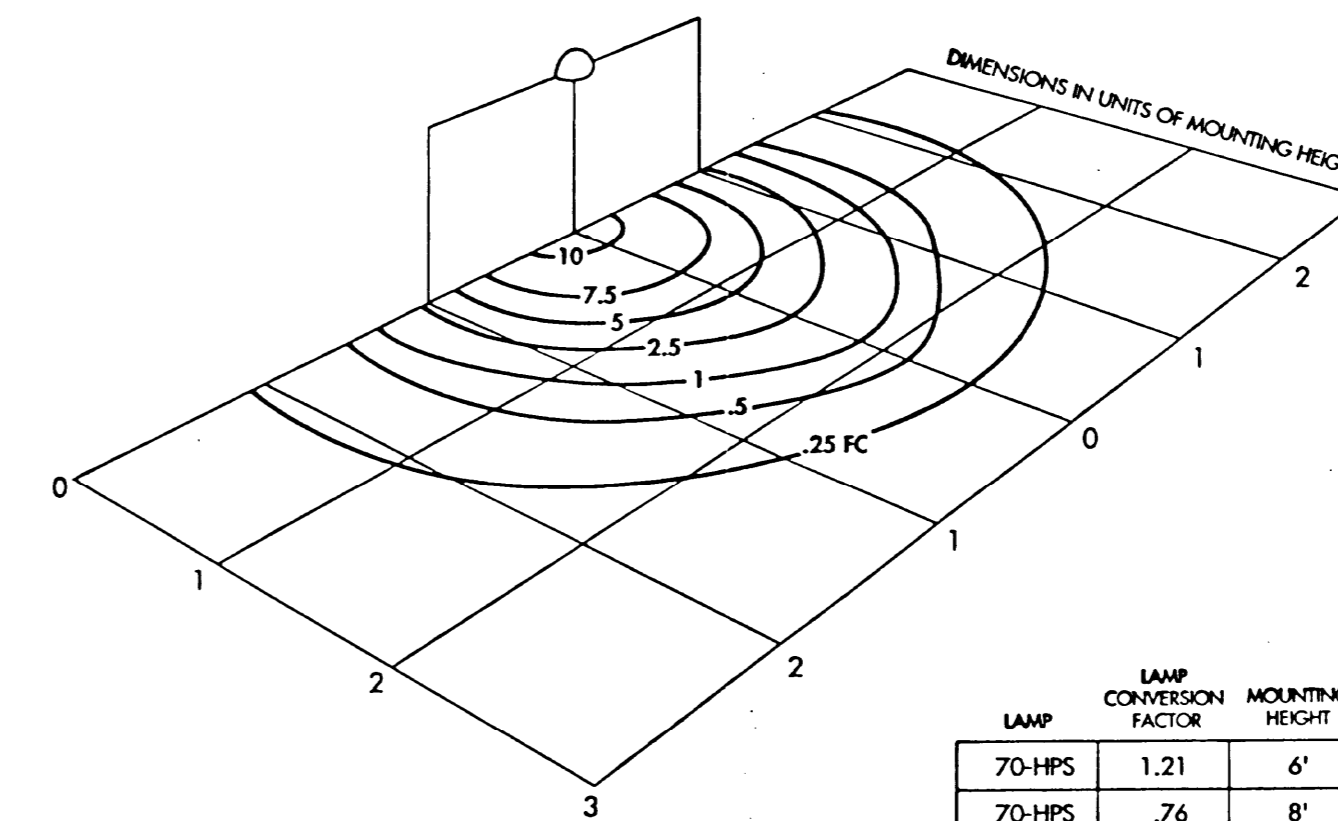
LAMP	LAMP CONVERSION FACTOR	MOUNTING HEIGHT	HEIGHT CONVERSION FACTOR
2-60A	.98	6'	2.78
		8'	1.56
		10'	1.00
		12'	.69
		14'	.51

NOTE: TEST RESULTS ARE INTENDED FOR USE AS A DESIGN GUIDE AND ARE BASED ON INITIAL LUMENS. VALUES SHOWN ARE BASED ON EMPIRICAL DATA, NOT CALCULATIONS; ACTUAL RESULTS MAY VARY.

Using Conversion Table
To adjust FC, use following formula with lamp conversion factor (LCF) and height conversion (HCF):
FC x LCF = FC with alternate lamp
FC x HCF = FC at alternate height
FC x LCF x HCF = FC with alternate lamp at alternate height.

694-HID-70MH-RG
BASED ON 10 FT. MOUNTING HEIGHT
LAMP: 70W METAL HALIDE, CLEAR MEDIUM BASE
LENS: CLEAR REFRACTIVE GLASS

694-HID



LAMP	LAMP CONVERSION FACTOR	MOUNTING HEIGHT	HEIGHT CONVERSION FACTOR
70-HPS	1.21	6'	2.78
70-HPS	.76	8'	1.56
70-MH	1.00	10'	1.00
50-MH	.63	12'	.69
		14'	.51

NOTE: TEST RESULTS ARE INTENDED FOR USE AS A DESIGN GUIDE AND ARE BASED ON INITIAL LUMENS. VALUES SHOWN ARE BASED ON EMPIRICAL DATA, NOT CALCULATIONS; ACTUAL RESULTS MAY VARY.

Using Conversion Table
To adjust FC, use following formula with lamp conversion factor (LCF) and height conversion (HCF):
FC x LCF = FC with alternate lamp
FC x HCF = FC at alternate height
FC x LCF x HCF = FC with alternate lamp at alternate height.

5" AFV Open Black Baffle, Gotham Series

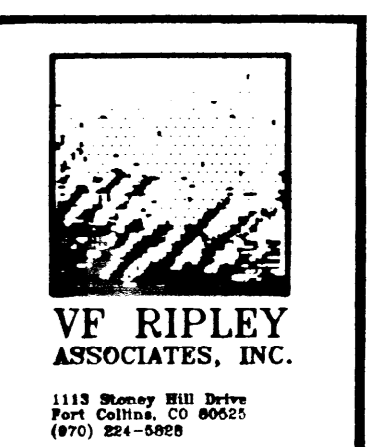
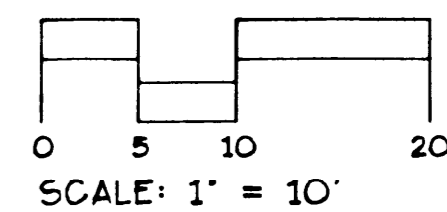
CFD Light

Distribution curve	Distribution data	Output data	Coefficient of utilization				Single luminaire data 30' above floor												
			10%	20%	30%	40%	10'	20'	30'	40'									
AFV 18TRT SMB, (1) PL-T 18W/35/4P lamp, 1.1 s/mh, 1200 rated lumens, test no. 2196101801																			

AFV 25TRT SMB, (1) PL-T 26W/30/4P lamp, .1 s/mh, 1800 rated lumens, test no. 2196101802

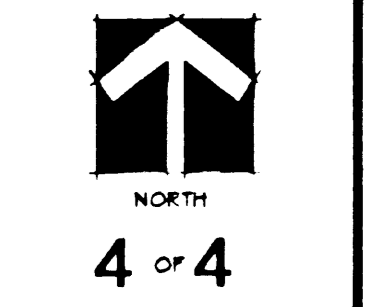
401 W. MOUNTAIN

FORT COLLINS COLORADO



PDP
SITE PLAN

DATE	G-26-98
JOB NO.	F98-014
DRAWN	LPT
CHECKED	LR
REVISED	9-10-98
MYLAR	1-25-99



This unofficial copy was downloaded on Jul-22-2019 from the City of Fort Collins Public Records Website: http://citydocs.fcgov.com/ For additional information or an official copy, please contact Engineering Office 281 North College Fort Collins, CO 80521 USA