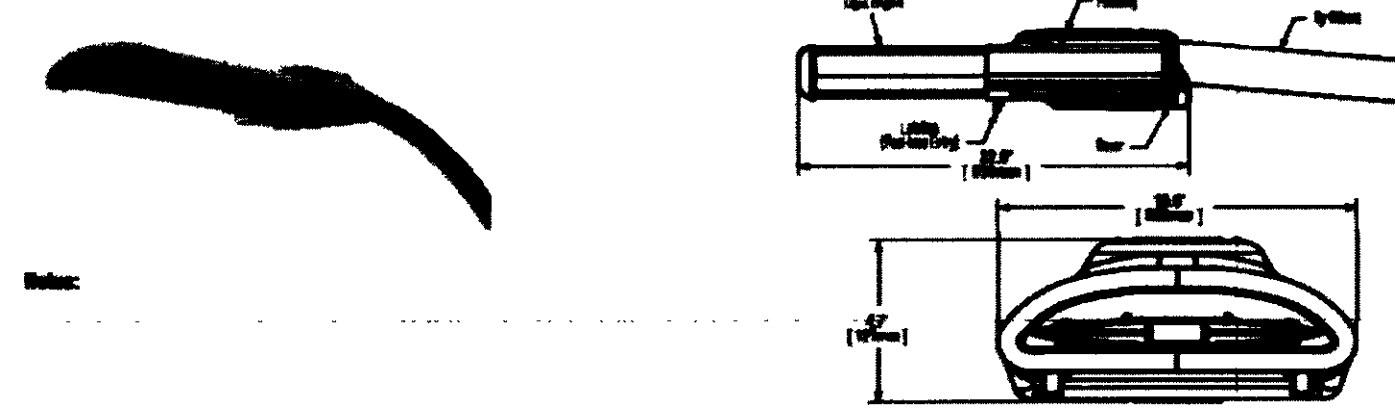


03110124

LEDway Streetlight - Type III Medium

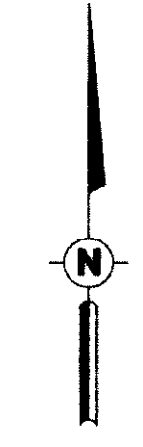
Detail Catalog #: STR-LWY-3M-HT



NOTE: ALL LIGHT FIXTURES SHALL BE ATTACHED TO POLES OR BUILDING BY USE OF NON ADJUSTABLE ANGLE BRACKETS OR WALL MOUNT BRACKETS PER LUC 3.2.4 (D)

Symbol	Qty	Label	Arrangement	Total Lamp Lumens	LLF	Description	Total Watts
☉	1	LWY-3M-90	2 @ 90 DEGREES	10162	0.940	STR-LWY-3M-HT-06-D-UL-BZ-525mA	270
◀	11	SEC-3M-02	SINGLE	2539	0.940	SEC-ARE-3M-WM-02-D-UL-BZ-525mA	407

Label	Avg	Max	Min	Avg/Min	Max/Min
GRADE	0.60	5.0	0.0	N/A	N/A



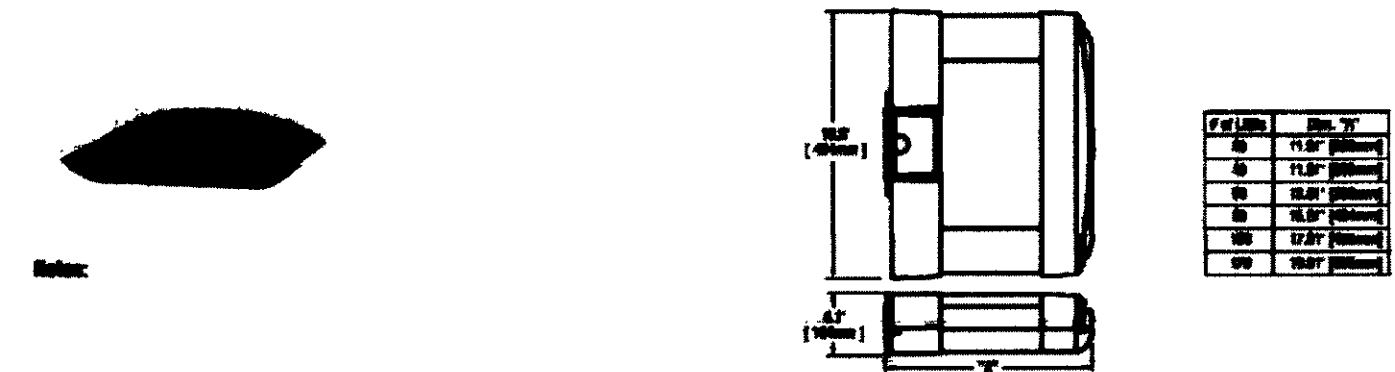
SCALE



03110109

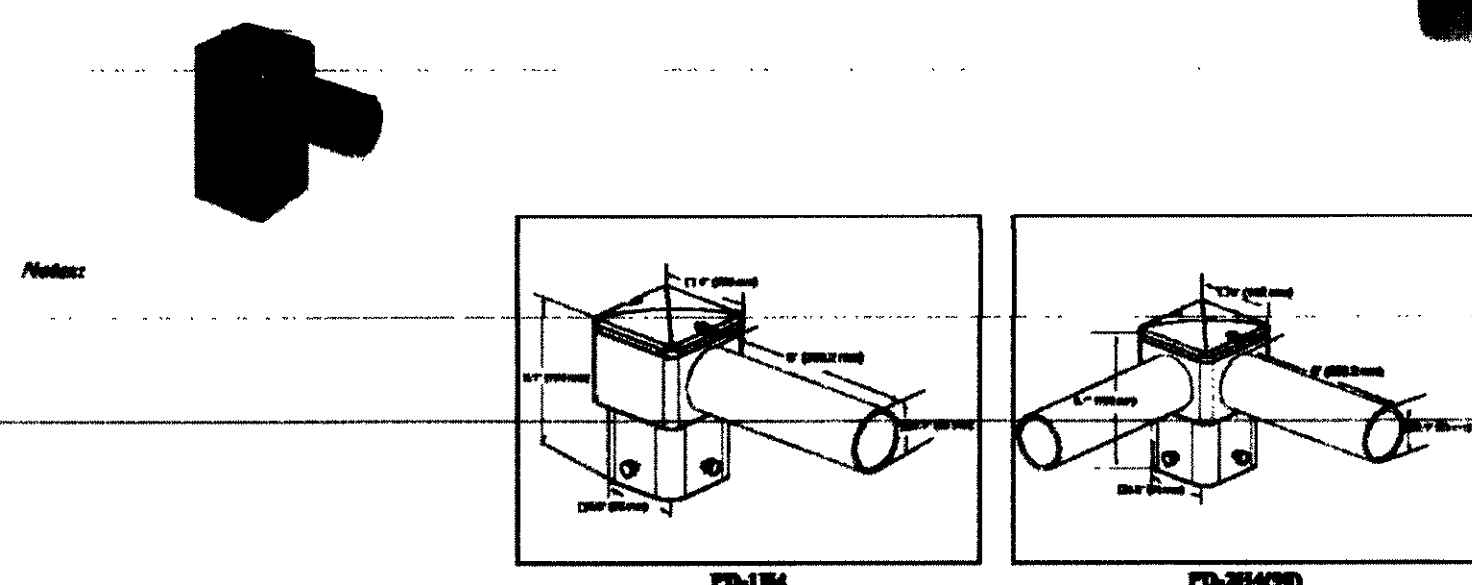
THE EDGE LED WALL PACK

Detail Catalog #: SEC-EDG-3M-WM

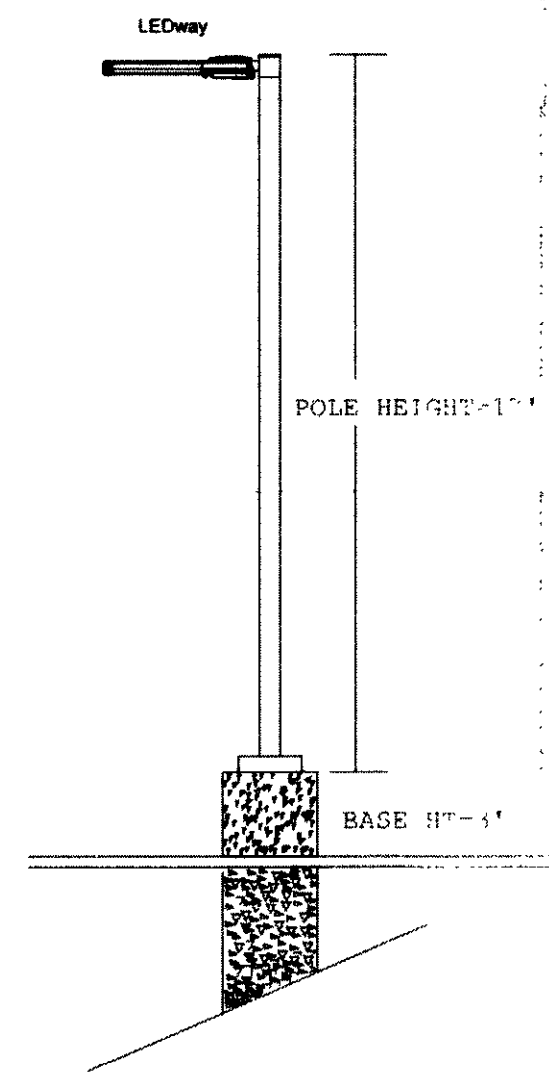
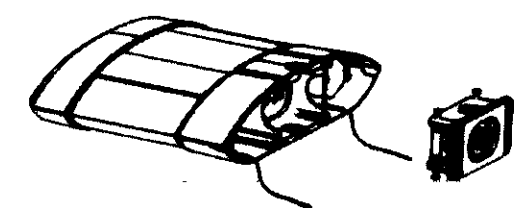


Super Tenon Mount Horizontal Tenon

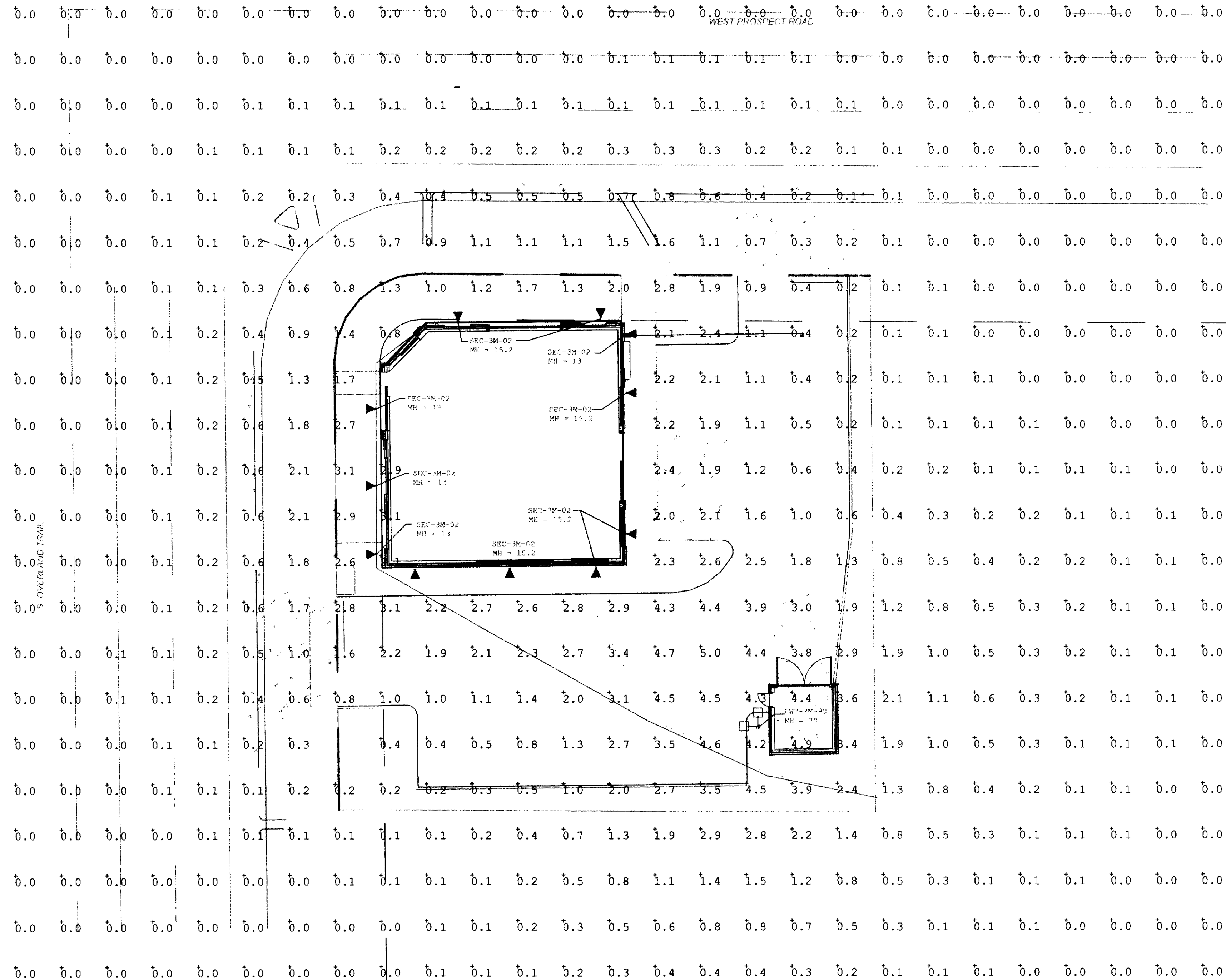
Base Catalog Number:



BETA EDGE WALL MOUNT SECURITY LIGHT



ADDITIONAL EQUIPMENT  
 (3) PS4S17CTB2 17 x 4 x .125" SQUARE STEEL POLE  
 (2) PD-1H4 SINGLE TENON  
 (1) PD-2H4 (90) SINGLE TENON  
 POLE AND FIXTURE MEETS 140 MPH SUSTAINED WINDS



ROTH ENGINEERING GROUP, LLC

21763 UNBRIDLED AVENUE  
 PARKER, CO 80138  
 PHONE: 303-841-9365  
 FAX: 303-648-5212

PROSPECT 7-ELEVEN STORE NO. 35506

1121 GRANT STREET DENVER, CO 80205

PREPARED FOR:

PHOTOMETRIC PLAN

DATE: 11/11/19