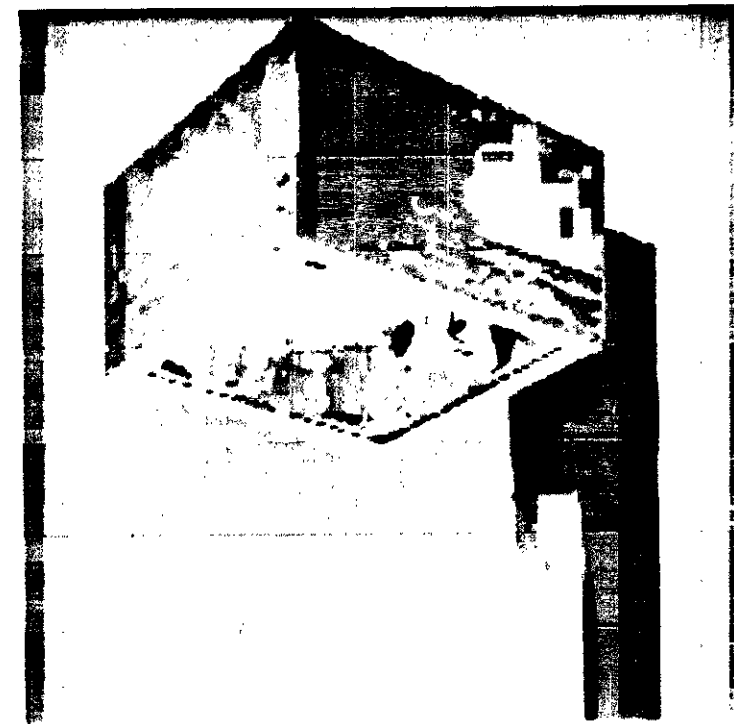
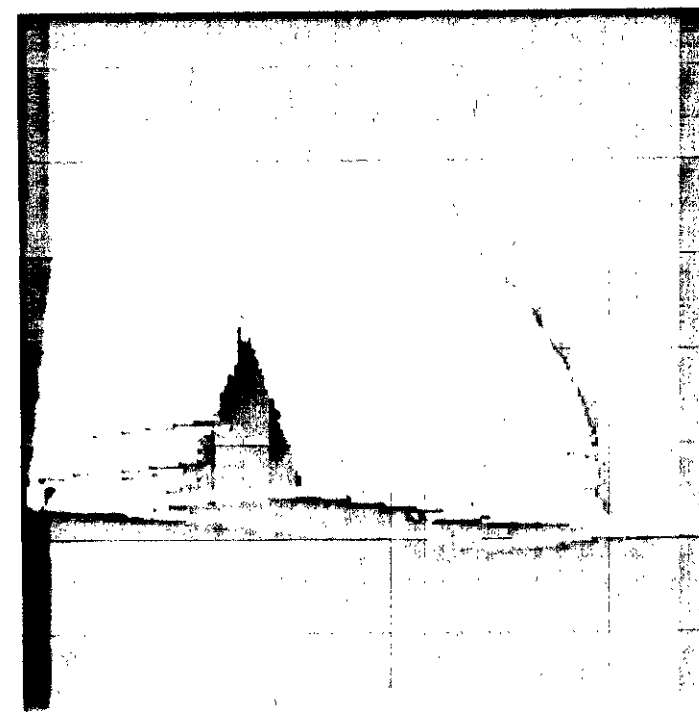


# SITE LIGHTING PHOTOMETRIC PLAN ADVANCE AUTO PARTS

7070 HIGHWAY 2  
LOCATED IN THE SE 1/4, SECTION 2, T7N., R69W OF THE 6TH P.M.  
CITY OF FORT COLLINS, LARIMER COUNTY, COLORADO



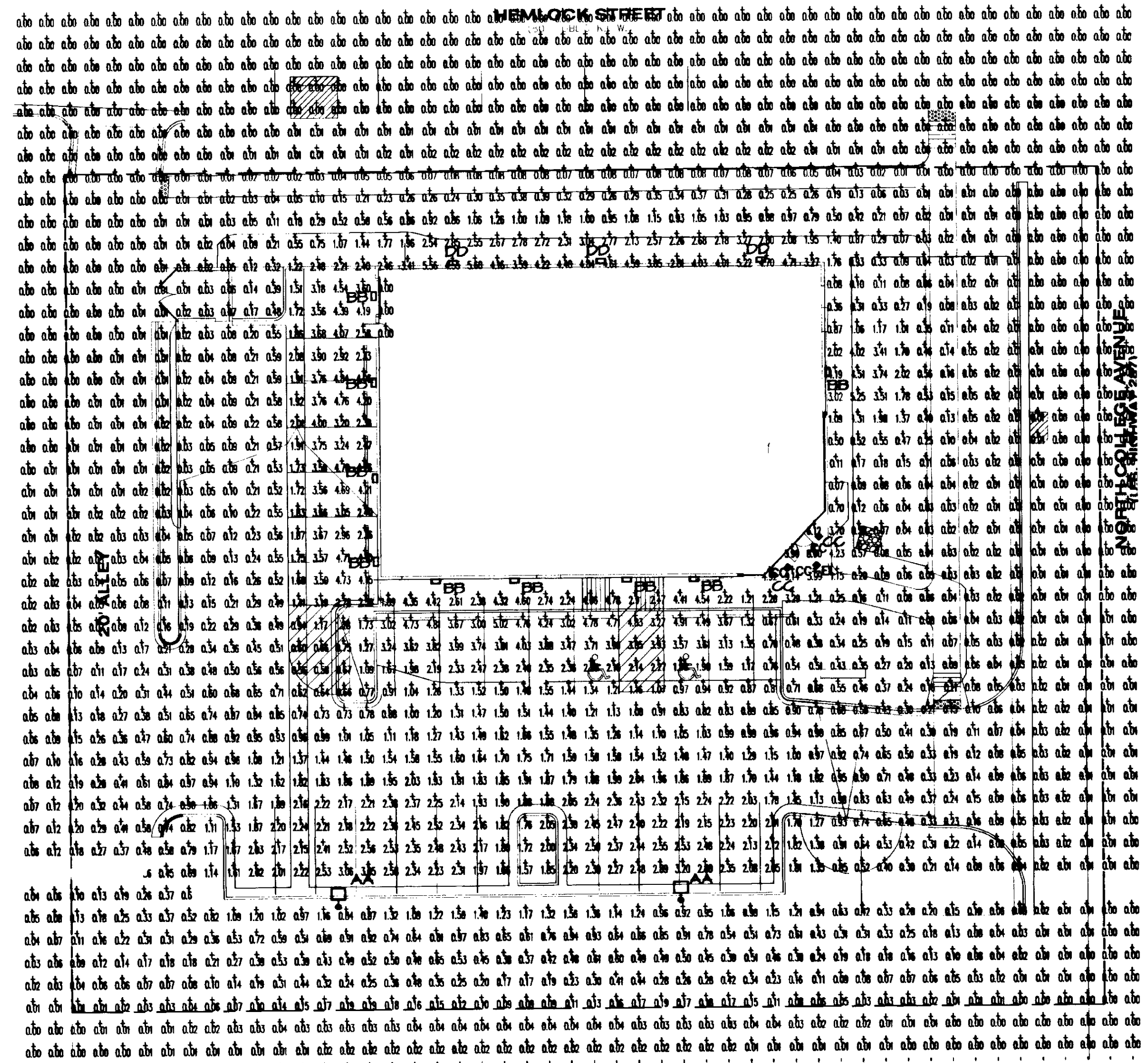
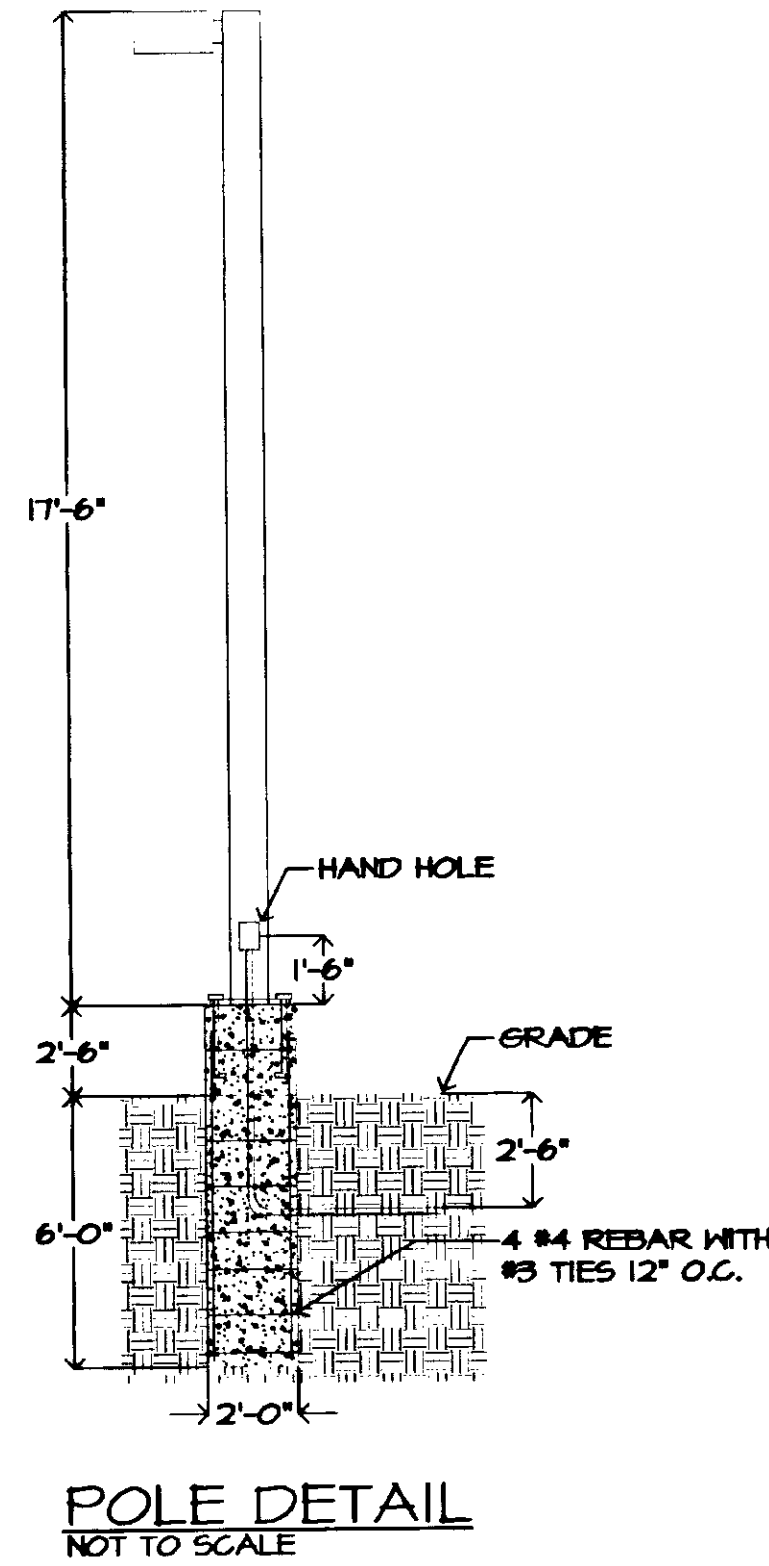
FIXTURE TYPE "AA"



FIXTURE TYPES "BB" & "DD"



FIXTURE TYPE "CC"



SITE PHOTOMETRIC PLAN  
SCALE: 1" = 20'-0"  
NORTH

FIXTURE SCHEDULE								
DESCRIPTION OF LUMINAIRE				LUMINAIRE SPECIFICATIONS				
QTY	KEY	DESCRIPTION	FINISH	MOUNTING INFORMATION	MANUFACTURER	CATALOG NUMBER	LAMP	LLF
2	AA	POLE MOUNTED FULL-CUTOFF METAL HALIDE	DARK BRONZE	20' POLE	LITHONIA	KV400M-ASYFL-TB-SPO4-LPI-DDBT-EHS	I-400W MH	1.0
4	BB	WALL MOUNTED FULL-CUTOFF METAL HALIDE AREA LIGHT	WHITE-FIELD PAINTED TO MATCH BLOCK	WALL 4'-6"	LITHONIA	WST-50M-FT-TB-LPI-DWHNS	I-50W MH	1.0
2	CC	RECESSED METAL HALIDE DOWNLIGHT	CLEAR	RECESSED	LITHONIA/GOETHAM	AH-32M-DAR-C6L-120	I-32W MH	1.0
3	DD	WALL MOUNTED FULL-CUTOFF METAL HALIDE AREA LIGHT	WHITE-FIELD PAINTED TO MATCH BLOCK	WALL 4'-6"	LITHONIA	WST-50M-WT-TB-LPI-DWHNS	I-50W MH	1.0

SITE PHOTOMETRIC PLAN  
ADVANCE AUTO PARTS  
JOB NO. 7023  
DATE: DECEMBER 18, 2007  
SHEET E1



Executive Park, LLC  
5031 S. Ulster St., Suite 160, Denver, Colorado 80237-4316  
(720) 489-1609 • Fax (720) 489-1611  
Project Number: © 2005