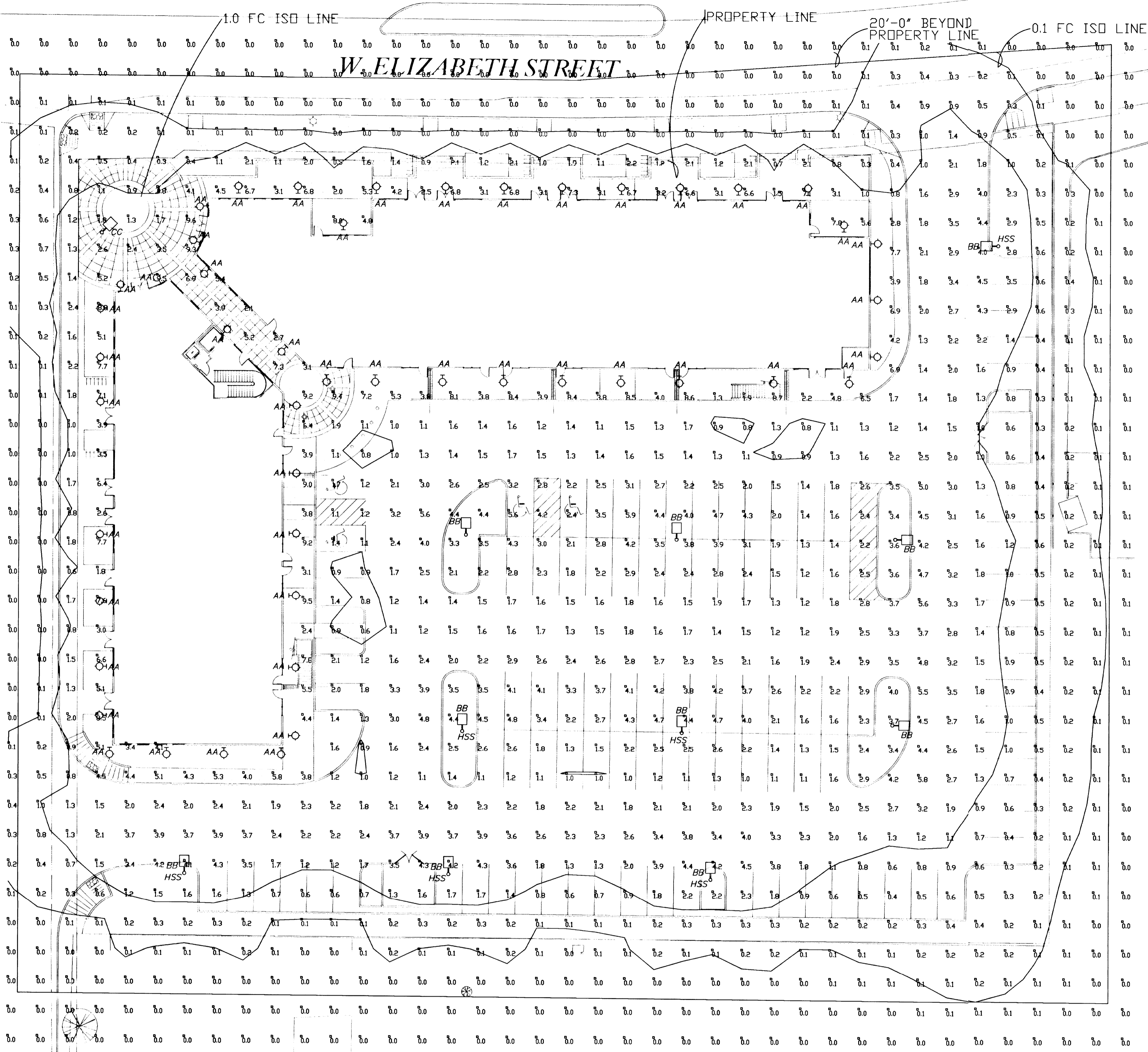


C-165 2483



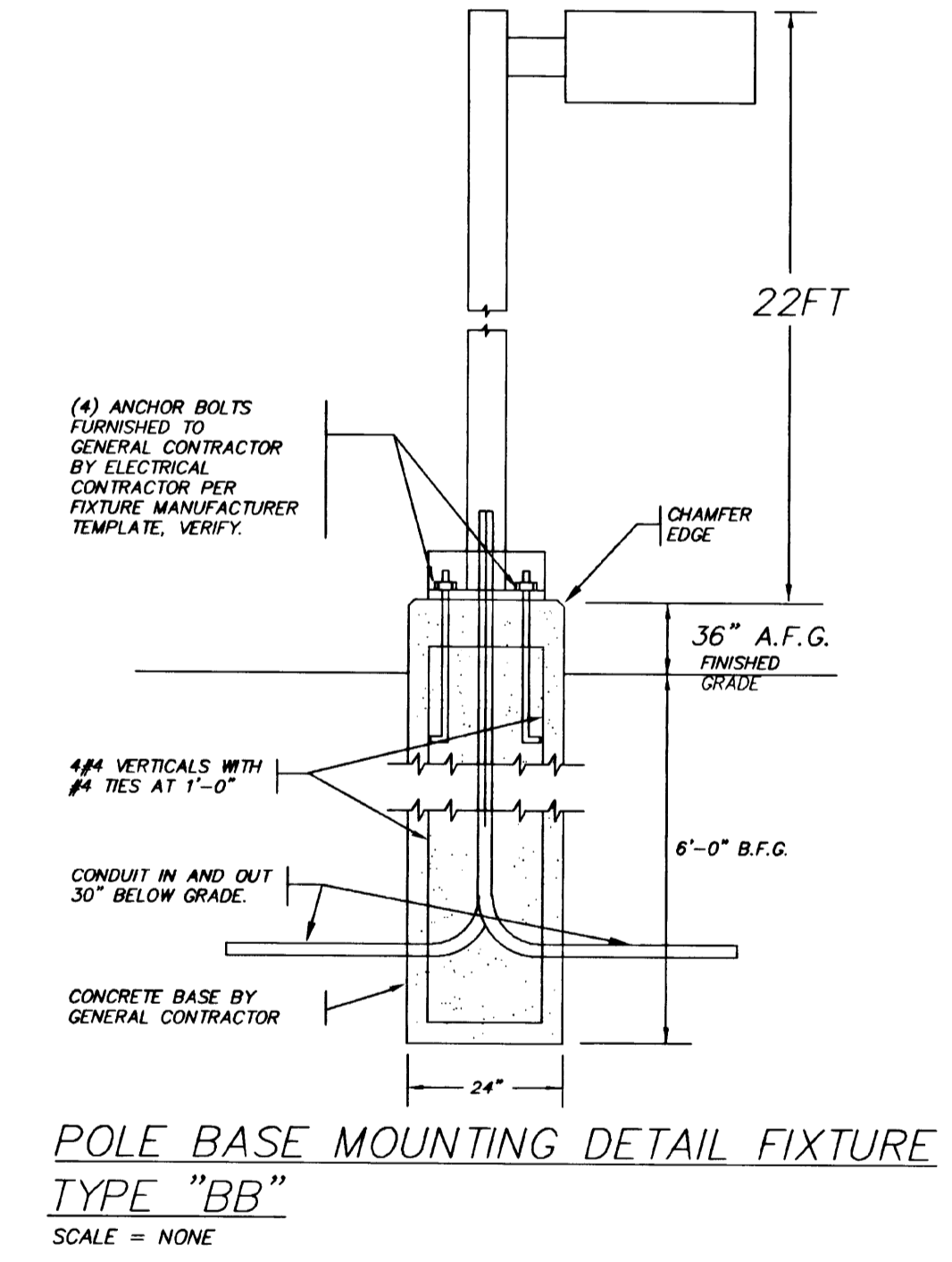
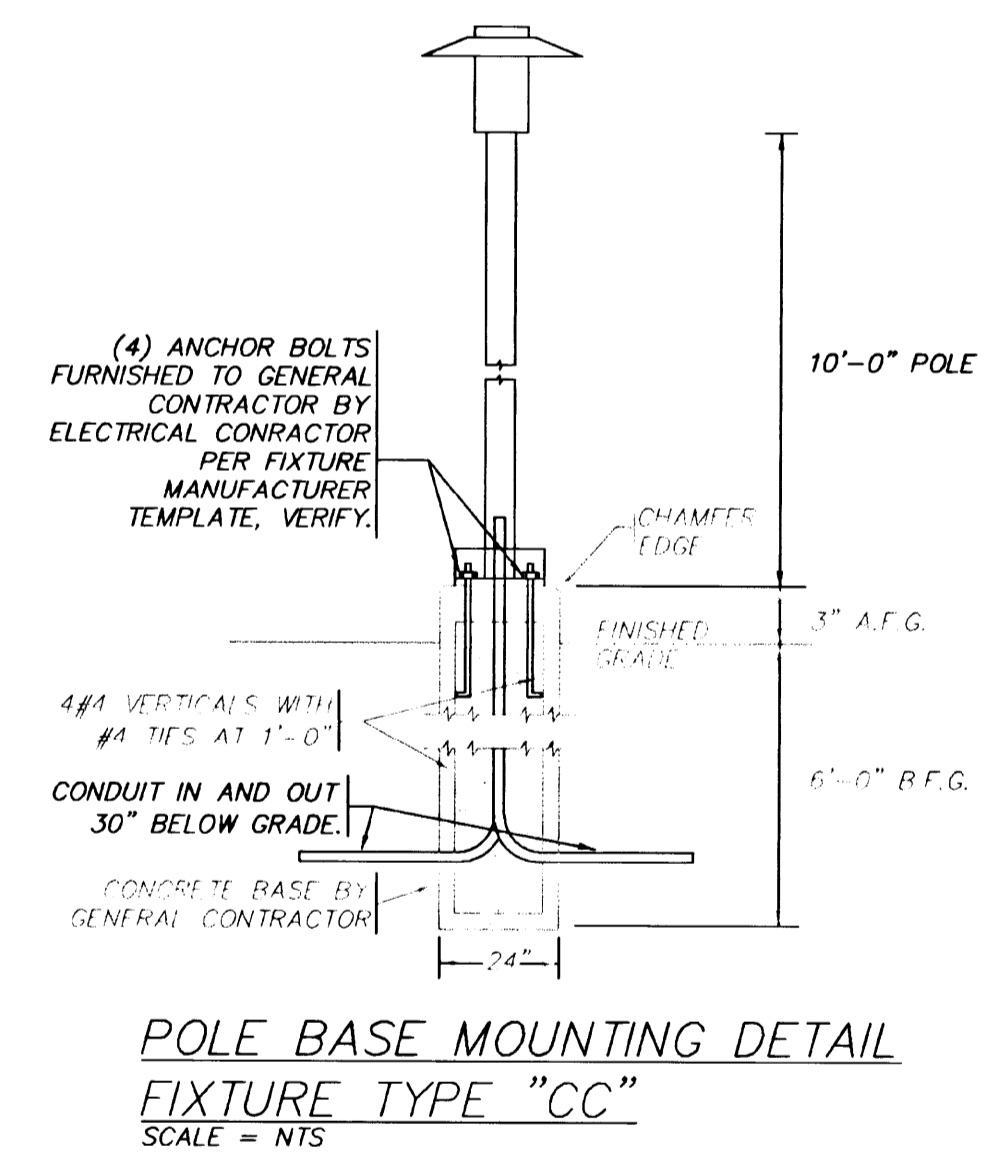
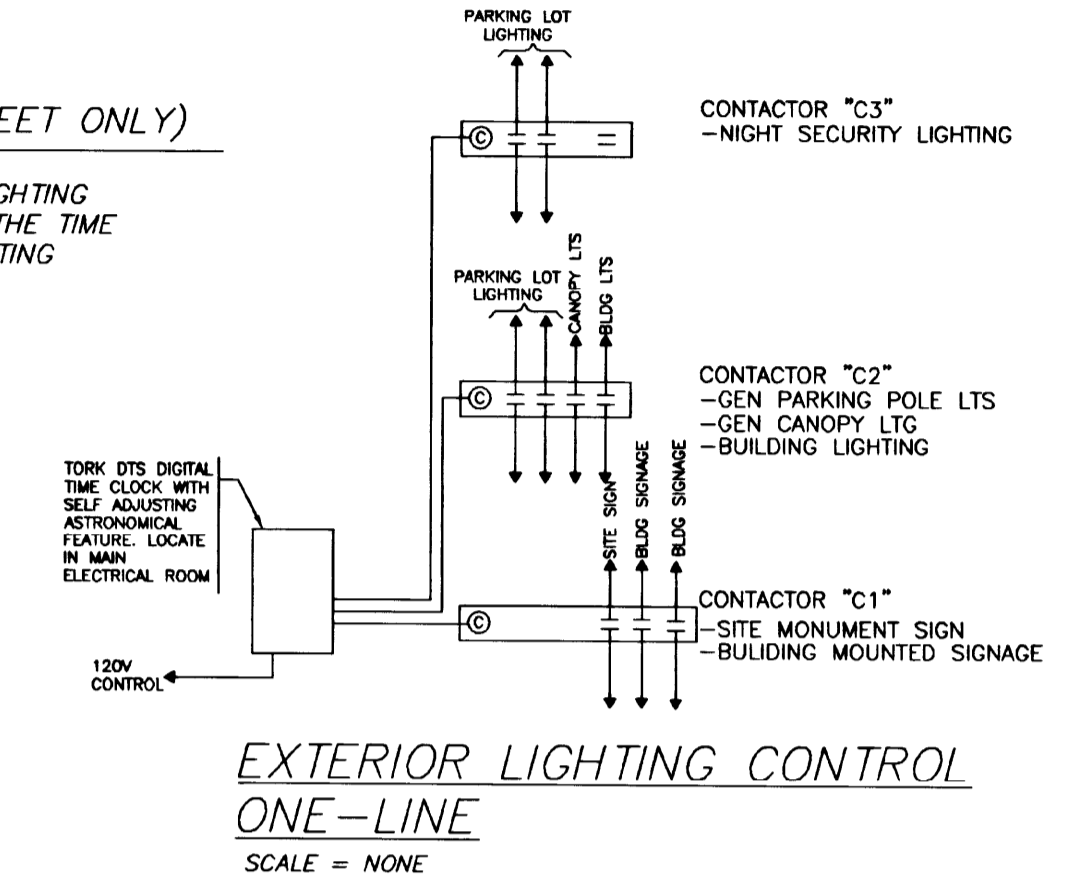
ELECTRICAL PHOTOMETRIC PLAN GROUND LEVEL
SCALE: 1" = 20'

LIGHTING FIXTURE SCHEDULE									
TYPE	LAMPS	LUMENS	LLF	DESCRIPTION	FINISH	MOUNTING	MANUFACTURER	CAT. NO.	VOLTS
AA	1-42W CF	1-3,200	1.0	42-WATT COMPACT FLUORESCENT TRAPEZOID WALL SCNCE	DARK BRONZE	WALL MOUNT 10' AFG	LITHONIA	WST-42TRT-MD	XXX
BB	1-250 MH	1-20,500	1.0	250-WATT METAL HALIDE LARGE SCALE POLE LIGHT, TYPE 3 DISTRIBUTION, 22'-0" POLE.	DARK BRONZE	POLE MOUNT (SEE DETAIL)	LITHONIA	KAD-250M-R3-SCWA	XXX
CC	1-100 MH	1-7,500	1.0	1-100-WATT METAL HALIDE CUTOFF PEDESTRIAN SCALE LIGHT 10'-0" POLE.	DARK BRONZE	POLE MOUNT (SEE DETAIL)	SELUX	SA2-SP-1-H100-XXX-BZ	XXX

NUMERIC SUMMARY						
LABEL	CLAC TYPE	UNITS	AVG.	MAX	MIN	MAX/MIN
OVER ALL GRID CALC	ILLUMINANCE	Fc	1.48	9.6	0	0

REFERENCE NOTES (THIS SHEET ONLY)

EXTERIOR SITE LIGHTING SHALL BE CONTROLLED VIA AN EXTERIOR LIGHTING CONTROL SYSTEM SIMILAR TO THE DETAIL SHOWN ON THIS SHEET. THE TIME CLOCK SHALL BE PROGRAMED TO COMPLY WITH FORT COLLINS LIGHTING STANDARDS REQUIREMENTS.



NOTICE: DUTY OF COOPERATION - Release of these plans constitutes further cooperation among the owner, his contractor, and the architect. Design and construction are complex. Although the architect and his consultants have performed their services with due care and diligence, they cannot guarantee perfection of construction. A failure to cooperate by a timely notice to the architect shall relieve the architect from responsibility for all consequences. Changes made from the plans without the consent of the architect are unauthorized and shall create the architect's responsibility for all consequences arising out of such changes. THIS SET IS IN FULL & VOID SINGLE SHEET A-1 ON THE COVER SHEET. BE OBTAINED FROM THIS SET. © 2006 Kenney & Associates LLC

PHOTOMETRIC 12/05/05
 PHOTOMETRIC 03/10/06
 PHOTOMETRIC 06/09/06
 PHOTOMETRIC 06/29/06
 PHOTOMETRIC 07/13/06
 PHOTOMETRIC 09/19/06
 (970) 663-0548

kenney associates ARCHITECTS LLC
 COLORADO

CAMPUS WEST REDEVELOPMENT
 FORT COLLINS
 Colorado

date 09/19/2006
 drawn CMP/JMP
 checked CMP
 job no. 05-XXX

sheet P-1 of

APS, INC. ELECTRICAL ENGINEERS
 8321 N. BROADWAY DENVER, CO 80221 303-287-8091
 400 HEMINGTON, SUITE FORT COLLINS, CO 80524 970-690-0233