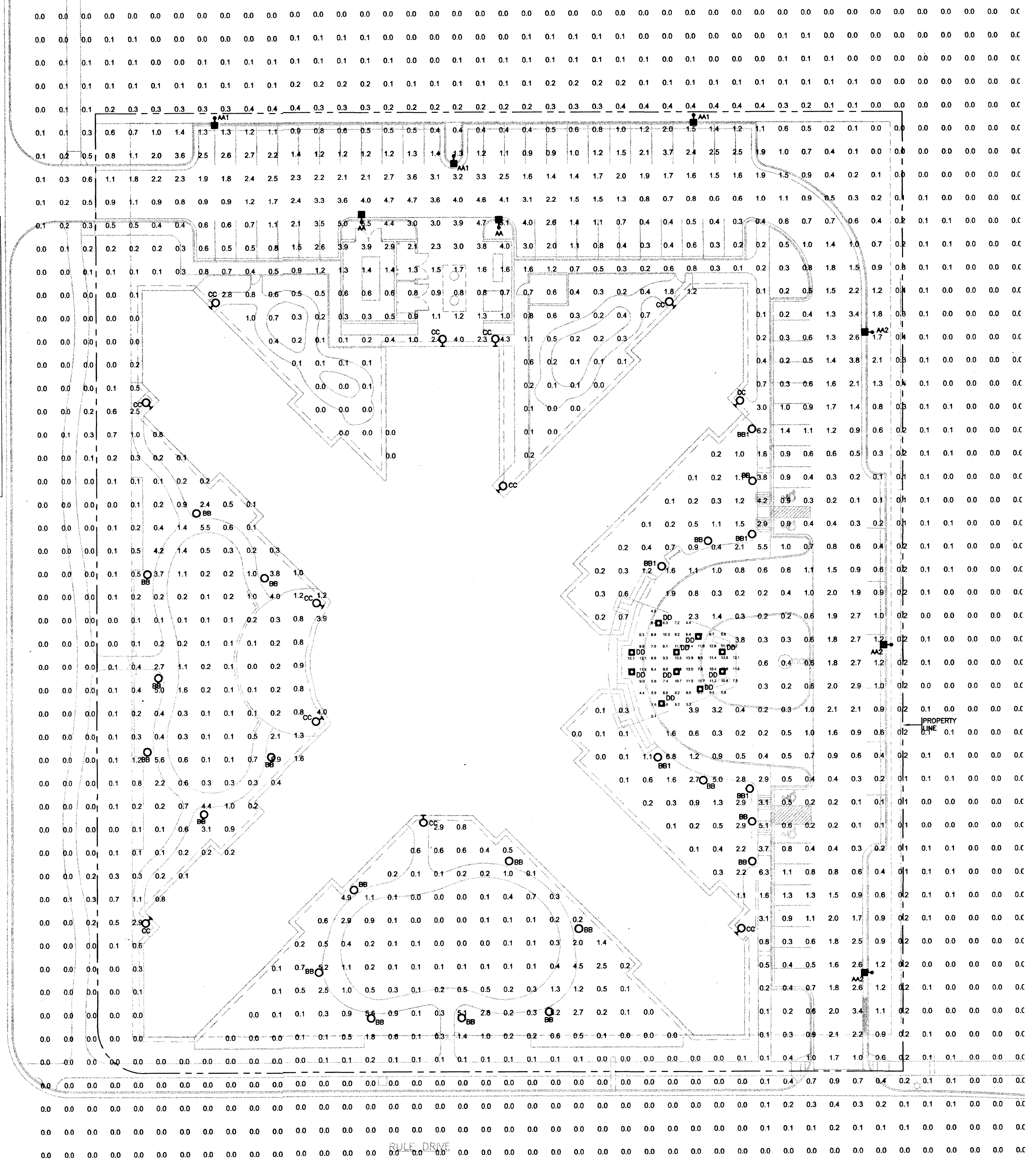
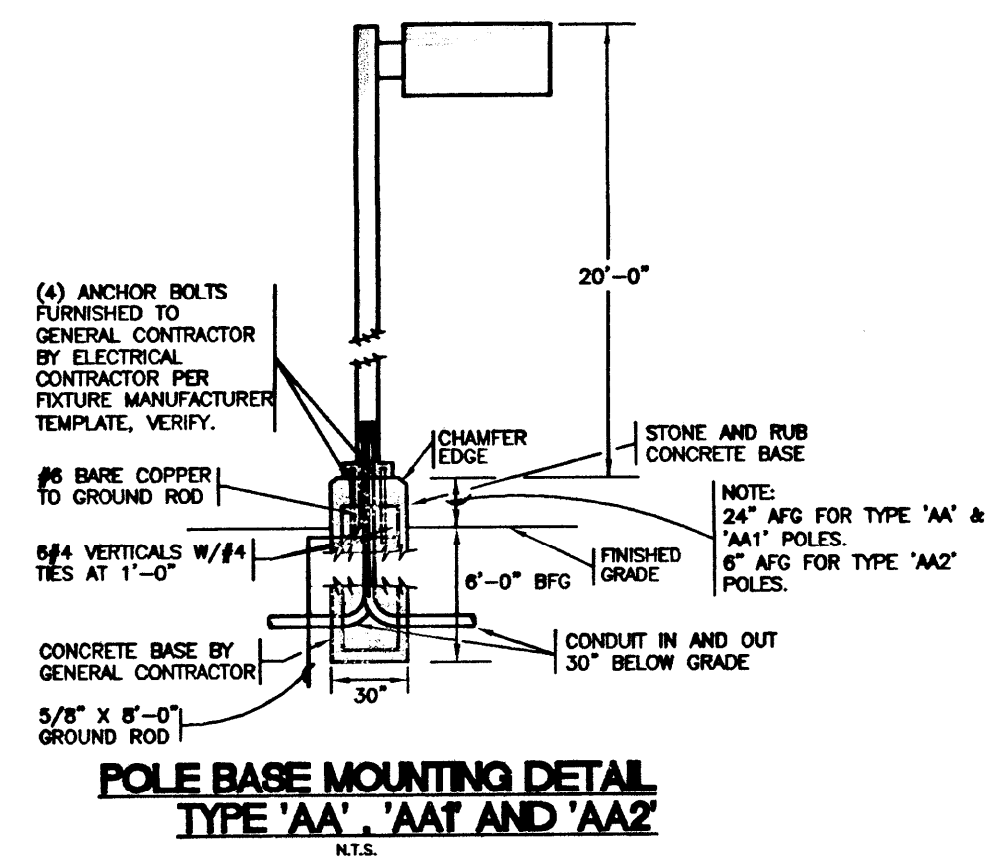
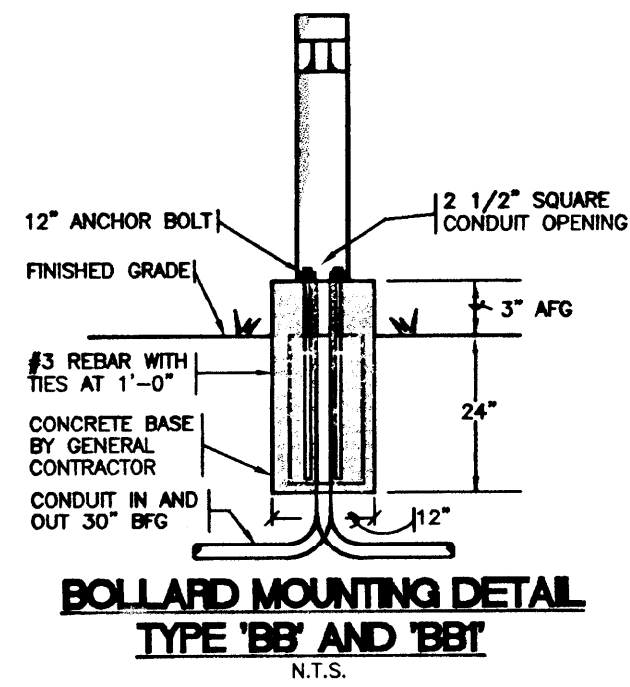


LIGHTING FIXTURE SCHEDULE							
TYPE	LAMPS	DESCRIPTION	FINISH	MOUNTING	MANUFACT.	CATALOG#	QUANTITY
AA	1-LU200	200 WATT HIGH PRESSURE SODIUM LUMINAIRE WITH TYPE III DISTRIBUTION WITH FLAT CLEAR LENS MULTI-TAP BALLAST 20"-0" SQUARE STRAIGHT STEEL POLE, 100MPH EPA WIND LOADING WITH 1.5 GUST FACTOR, BOLT COVERS, FACTORY PAINT POLE TO MATCH LIGHT FIXTURE, WET LISTED	BRONZE	22 FEET SEE DETAIL	LITHONIA	KAD200S-R3-208 SPD04-LPI-HS/SS204C-11 DM19-BZ	208 2
AA1	1-LU250	SAME FIXTURE & POLE AS TYPE 'AA' EXCEPT 250 WATT WITH HOUSE SIDE SHIELD.	BRONZE	22 FEET SEE DETAIL	LITHONIA	KAD250S-R3-208 SPD04-LPI-HS/SS204C-11 DM19-BZ	208 3
AA2	1-LU200	200 WATT SAME AS TYPE 'AA' WITH HOUSE SIDE SHIELD	BRONZE	20'-6" SEE DETAIL	LITHONIA	KAD200S-R3-208 SPD04-LPI-HS/SS204C-11 DM19-BZ	208 3
BB	1-LU100	42" X 7 1/2" DEEP HPS ROUND FLAT TOP BOLLARD WITH EXTERNAL LOUVER, TYPE 5 DISTRIBUTION	BRONZE	SEE DETAIL	LITHONIA	KBR8-100S-RS-LV-120	120 19
BB1	1-LU100	SAME AS TYPE 'BB' EXCEPT WITH WP/GFI RECEPTACLE	BRONZE	SEE DETAIL	LITHONIA	KBR8-100S-RS-LV-120-FG	120 5
CC	1-LU50	50 WATT HIGH PRESSURE SODIUM FULL CUT OFF WALL BRACKET FLAT LENS WITH EXTRA DM CIRCUITRY LAMP WET LISTED, BOTH HPS LAMP AND 25 WATT ON EM CIRCUIT.	BRONZE	WALL 4'-8"-0" AFG	LITHONIA	WST-50S-WT-120-DBBT	120 12
DD	1-70WMH	70 WATT METAL HALIDE DOWNLIGHT WITH CLEAR ALZAK REFLECTOR, FLUSH MOUNT DAMP LISTED.	WHITE TRIM RING	RECESSED IN CANOPY FLUSH MOUNT	LITHONIA	LPH8-70M-608A	120 10

CANOPY MAX. = 13.9 fc
 CANOPY AVERAGE = 9.3 fc
 CANOPY MIN. = 4.4 fc
 SITE MAX. = 6.8 fc
 SITE AVERAGE = 0.6 fc



PHOTOMETRIC PLAN
 SCALE 1" = 30'-0"



NE CORNER OF
 LEMAY AVENUE & RULE DRIVE
 FORT COLLINS, COLORADO

VAUGHT • FRYE



ARCHITECTURE - INTERIOR DESIGN
 401 West Mountain Ave. Suite 200 Fort Collins, CO 80521
 ph (970) 224-1662 fax (970) 224-1191 www.vaughtfrye.com

drahota

In association with:

RNF Consultants Structural Engineer
 11290 West Alameda
 Lakewood, CO 80236
 ph (303) 986-1546
 f (303) 986-1548

AE Associates Inc. Mechanical Engineer
 5587 West 190 St.
 Greeley, Co. 80634
 ph (970) 330-5587
 f (970) 330-3040

RJ McHurt and Associates Electrical Engineer
 5587 West 190 St.
 Greeley, Co. 80634
 ph (970) 686-5678
 f (970) 330-3667

VF Ripley Landscape Design
 401 West Mountain Ave Suite 201
 Fort Collins, CO 80521
 ph (970) 224-0826
 f (970) 224-1662

TST Civil Engineer
 748 Whalers Way Unit D
 Fort Collins, CO 80525
 ph (970) 226-0557
 f (970) 226-0204

No.	Description	Date

No.	Description	Date

1	REVISION	8/28/05
2	REVISION	8/28/05

PDP SUBMITTAL

Seal

PHOTOMETRIC PLAN

Project No.: 2455-44 Drawn by: LK
 Reviewed by: AJM

Scale Accordingly if Reduced

Drawing Number
1 OF 1

