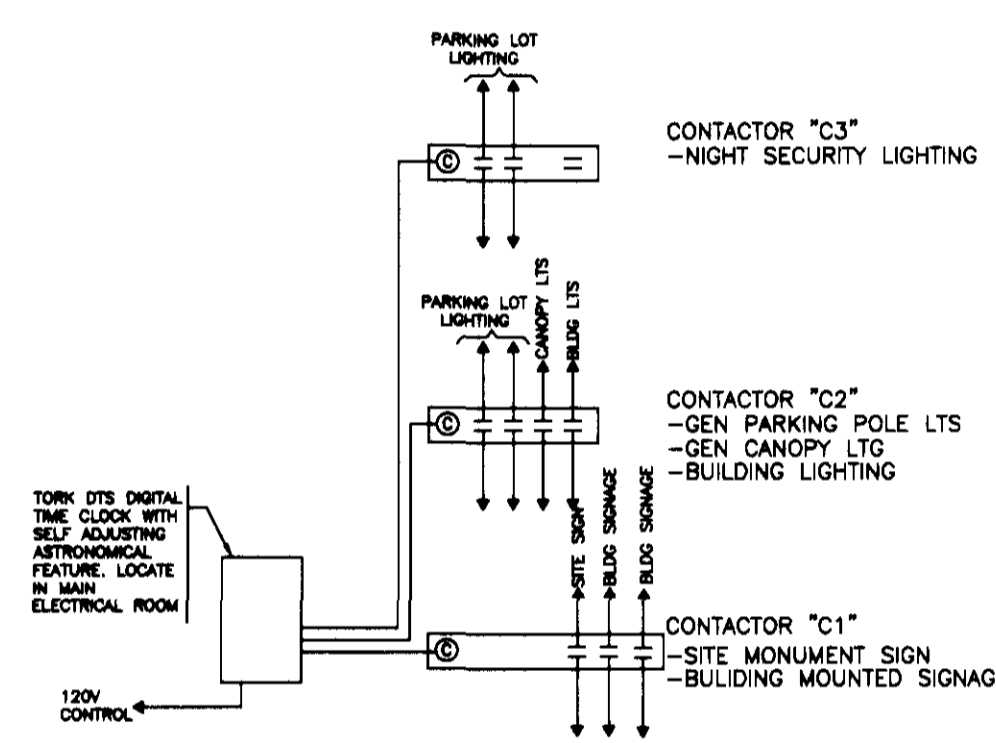


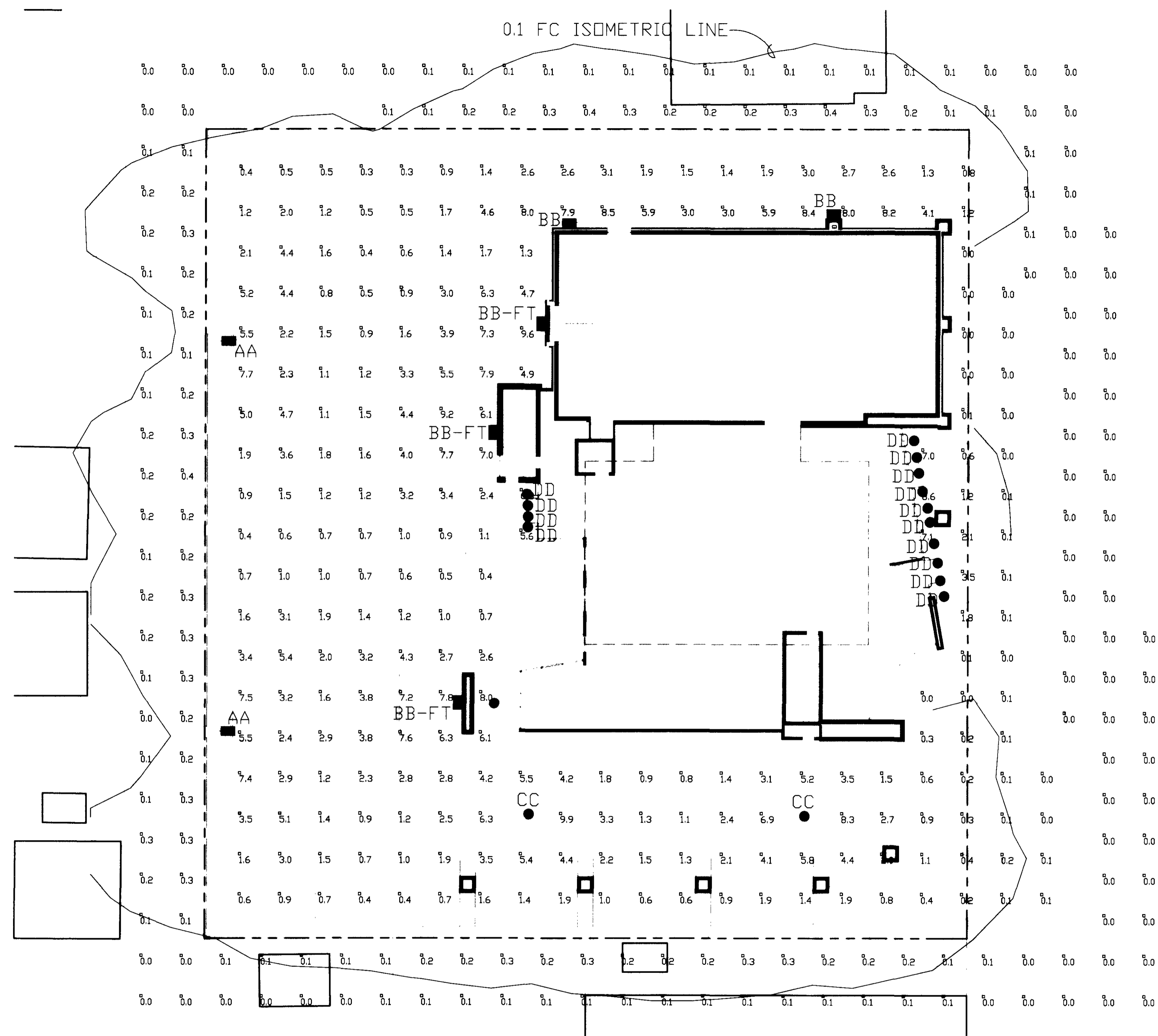
POLE BASE MOUNTING DETAIL
FIXTURE TYPE "AA"
SCALE = NONE



EXTERIOR LIGHTING CONTROL
ONE-LINE

REFERENCE NOTES (THIS SHEET ONLY)

EXTERIOR SITE LIGHTING SHALL BE CONTROLLED VIA AN EXTERIOR LIGHTING CONTROL SYSTEM SIMILAR TO THE DETAIL SHOWN ON THIS SHEET. THE TIME CLOCK SHALL BE PROGRAMMED TO COMPLY WITH FORT COLLINS LIGHTING STANDARDS REQUIREMENTS.



ELECTRICAL PHOTOMETRIC PLAN GROUND LEVEL

SCALE: 1/16" = 1'-0"

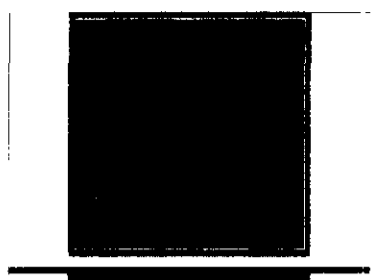
NUMERIC SUMMARY

LABEL	CLAC TYPE	UNITS	AVG.	MAX	MIN	MAX/MIN
PROPERTY DRIVE/PARKING GRID CALC	ILLUMINANCE	Fc	2.57	9.9	0	0

LIGHTING FIXTURE SCHEDULE

TYPE	LAMPS	LUMENS	LLF	DESCRIPTION	FINISH	MOUNTING	MANUFACTURER	CAT. NO.	VOLTS
AA	150 PSMH	1-14,000	1.0	150 WATT ARCHITECTURAL ARM-MOUNTED CUTOFF PARKING LOT POLE FIXTURE, TYPE 3 DISTRIBUTION HOUSE SIDE SHIELD, 12' POLE	DARK BRONZE	POLE MOUNT (SEE DETAIL)	LITHONIA	KV91-150M-R3 ASY-XXX-SCWA-SPD09-EHS	XXX
BB	150 PSMH	1-14,000	1.0	150 WATT ARCHITECTURAL BUILDING MOUNT CUTOFF WALL PACK FIXTURE, WIDE THROW DISTRIBUTION.	DARK BRONZE	BUILDING MOUNT 15'-0"AFG	LITHONIA	WSR 150M WT XXX SCWA	XXX
BB-FT	150 PSMH	1-14,000	1.0	150 WATT ARCHITECTURAL BUILDING MOUNT CUTOFF WALL PACK FIXTURE, FORWARD THROW DISTRIBUTION.	DARK BRONZE	BUILDING MOUNT 15'-0"AFG	LITHONIA	WSR 150M FT XXX SCWA	XXX
CC	150 PSMH	1-14,000	1.0	150 WATT RECESSED MOUNT GARAGE CUTOFF LIGHTING TYPE 3 ASYMETRIC DISTRIBUTION	DARK BRONZE	RECESSED	LITHONIA	KPSRMG 150M R3 XXX SCWA DDB	XXX
DD	LED	1-480	1.0	LED RECESSED CAN WITH BLACK BAFFLE TRIM	WHITE	RECESSED	GOETHAM	ECSR 35/10 4 MB XXX	XXX

ARCHITECT:



The ARCHITECTS' STUDIO, Inc.
151 West Mountain Avenue
Fort Collins, Colorado
80524

TEL: (970) 482-8125
FAX: (970) 482-8450

CONSULTANT:

APS, INC. ELECTRICAL ENGINEER



8837 N. BROADWAY
DENVER, CO 80221
303-287-8061

OTTER BOX

TENANT IMPROVEMENTS
FORT COLLINS, COLORADO

PHOTOMETRIC
SCHEDULE

SEAL:

ISSUE DATE: 11/03/2009
PROJECT #: XXX-XX

REVISIONS:

NO.	DESCRIPTION	DATE
1	PHOTOMETRIC	11/03/2009

DRAWING TITLE:

SITE
PHOTOMETRIC
PLAN

SHEET:

PH1.0