

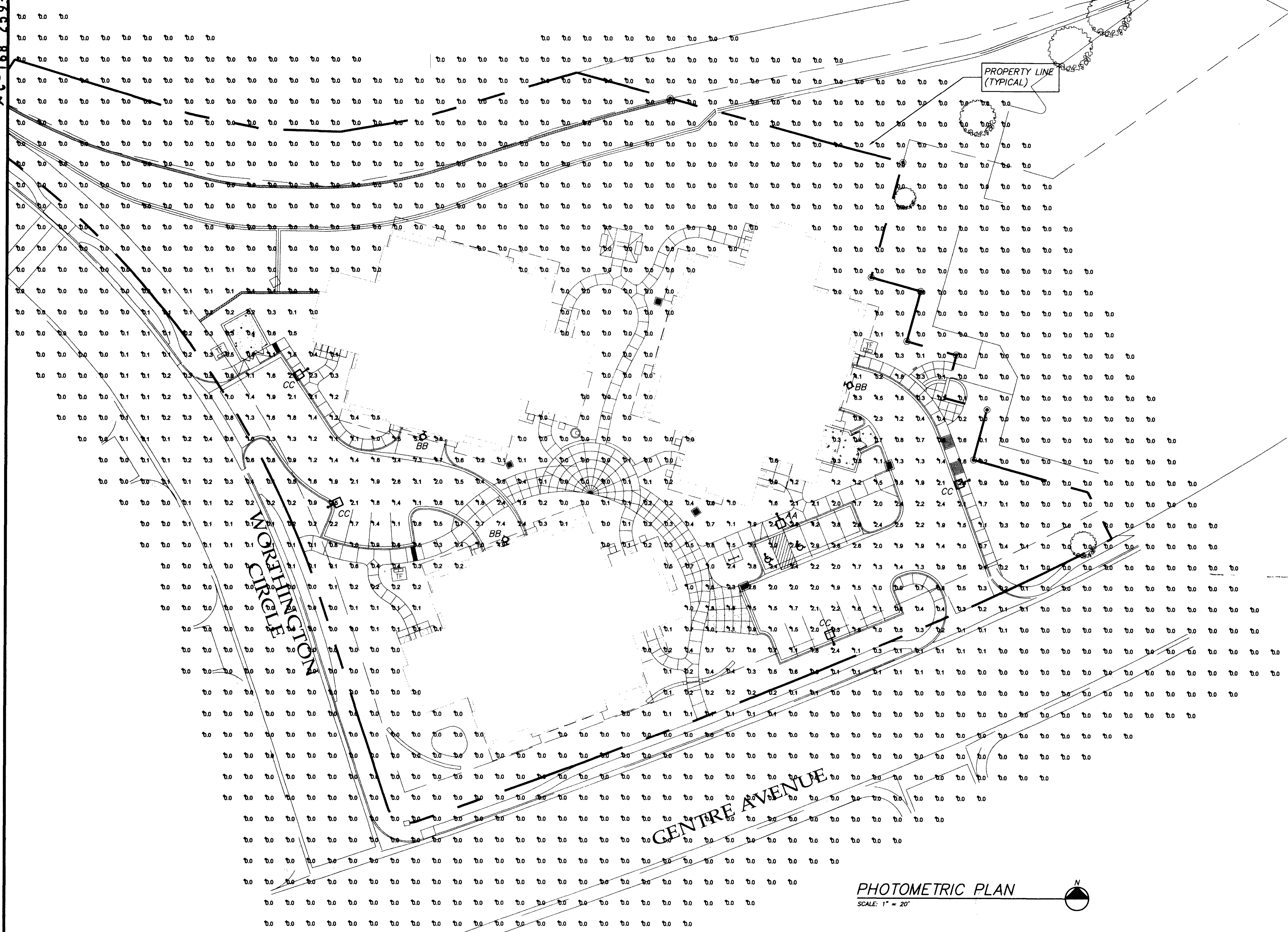
X C-168 2593

# CENTRE AVENUE RESIDENCES



architecture • land planning  
landscape architecture • interior design  
401 West Mountain Avenue Suite 200 Fort Collins, CO 80521  
tel: 970/224.1862 phone 970/224.1191 www.vfrdesign.com  
In association with:

In association with:  
APS, INC. ELECTRICAL ENGINEERS  
7750 PARK RIDGE DRIVE  
FORT COLLINS, CO 80521  
970-224-0288



PHOTOMETRIC PLAN  
SCALE: 1" = 20'

No.	Description	Date
1	PHOTOMETRIC DESIGN	07-14-09
2	PHOTOMETRIC DESIGN	08-27-09
3	"MYLARS"	10-20-09

No.	Description	Date

Project No.: 509-08 Drawn by: SJM, ARB  
Reviewed by: RJB, CP

## PHOTOMETRICS PLAN

Scale Accordingly if Reduced

Drawing Number  
**PM.1**

DRAWINGS, SPECIFICATIONS, GENERAL NOTES AND OUTLINE SPECIFICATIONS ARE INSTRUMENTS OF SERVICE AND SHALL REMAIN THE PROPERTY OF ADONAI PROFESSIONAL SERVICES, INC. (A.K.A. APS, INC.). COPIES OF THESE DOCUMENTS RETAINED BY THE CLIENT ARE FOR THE CLIENTS USE IN THE CONSTRUCTION OF THE PROJECT FOR WHICH THESE DOCUMENTS WERE PREPARED. ANY USE OF THESE DOCUMENTS, IN WHOLE OR IN PART, BY ANY MEANS AND FOR ANY PURPOSE OTHER THAN THAT AUTHORIZED BY THE INSTRUMENTS OF SERVICE IS STRICTLY PROHIBITED, EXCEPT WITH THE SPECIFIC WRITTEN CONSENT OF APS, INC.

Symbol	Label	Qty	Category Number	Description	Lamp	File	Lumens	LLF	Watts
☐	AA	1	KAD 250M SR3	AREA LIGHT WITH HIGH PERFORMANCE SR3 OPTICS, CLEAR FLAT GLASS.	lumens for 250w pulse start	189495.lss	22000	0.72	297
☐	BB	3	WFL2 100M FT	ARCHITECTURAL BUILDING MOUNTED LUMINAIRE, FT DISTRIBUTION, 100W MH, W CLEAR LAMP.	ONE 100-WATT CLEAR ED-17 METAL HALIDE, HORIZONTAL POSITION.	L18706.lss	8500	0.72	140
☐	CC	4	KAD 250M SR4C	AREA LIGHT WITH HIGH PERFORMANCE SR4C OPTICS, CLEAR FLAT GLASS.	ONE 250-WATT CLEAR ED-17 METAL HALIDE, HORIZONTAL POSITION.	189495.lss	22000	0.72	297

No.	Label	X	Location Y	Z	MH	Orientation	Tilt	X	Y	Z
1	CC	-56.4	161.6	25.0	25.0	234.2	0.0	-57.5	160.8	0.0
2	CC	-52.5	96.3	25.0	25.0	66.2	0.0	-51.2	96.9	0.0
3	AA	167.8	90.8	25.0	25.0	156.0	0.0	168.2	89.5	0.0
4	CC	194.7	29.6	25.0	25.0	-22.6	0.0	194.1	30.9	0.0
5	CC	258.7	110.5	25.0	25.0	247.6	0.0	256.4	110.0	0.0
6	BB	198.6	156.0	12.0	12.0	103.7	0.0	198.6	156.0	0.0
7	BB	35.8	81.4	12.0	12.0	-21.8	0.0	35.8	81.4	0.0
8	BB	-3.4	131.5	12.0	12.0	193.3	0.0	-3.4	131.5	0.0

Description	Symbol	Avg	Max	Min	Max/Min	Avg/Min
Calc Zone #1	+	0.2 fc	7.4 fc	0.0 fc	N/A	N/A

NOTES  
1. Refer to all drawings for details.

**Architectural**  
**WST/WSR/WSQ**

**NEW**

**Ordering Information**

Qty	Part No.	Description	Notes
100	WST-100	100-watt metal halide lamp	
100	WSR-100	100-watt metal halide reflector	
100	WSQ-100	100-watt metal halide reflector	

**Example: WST 1700M FT 120 BP LPI**

**Arm-Mounted Drop or Flat Lens Cutoff**  
**KAD KAC**

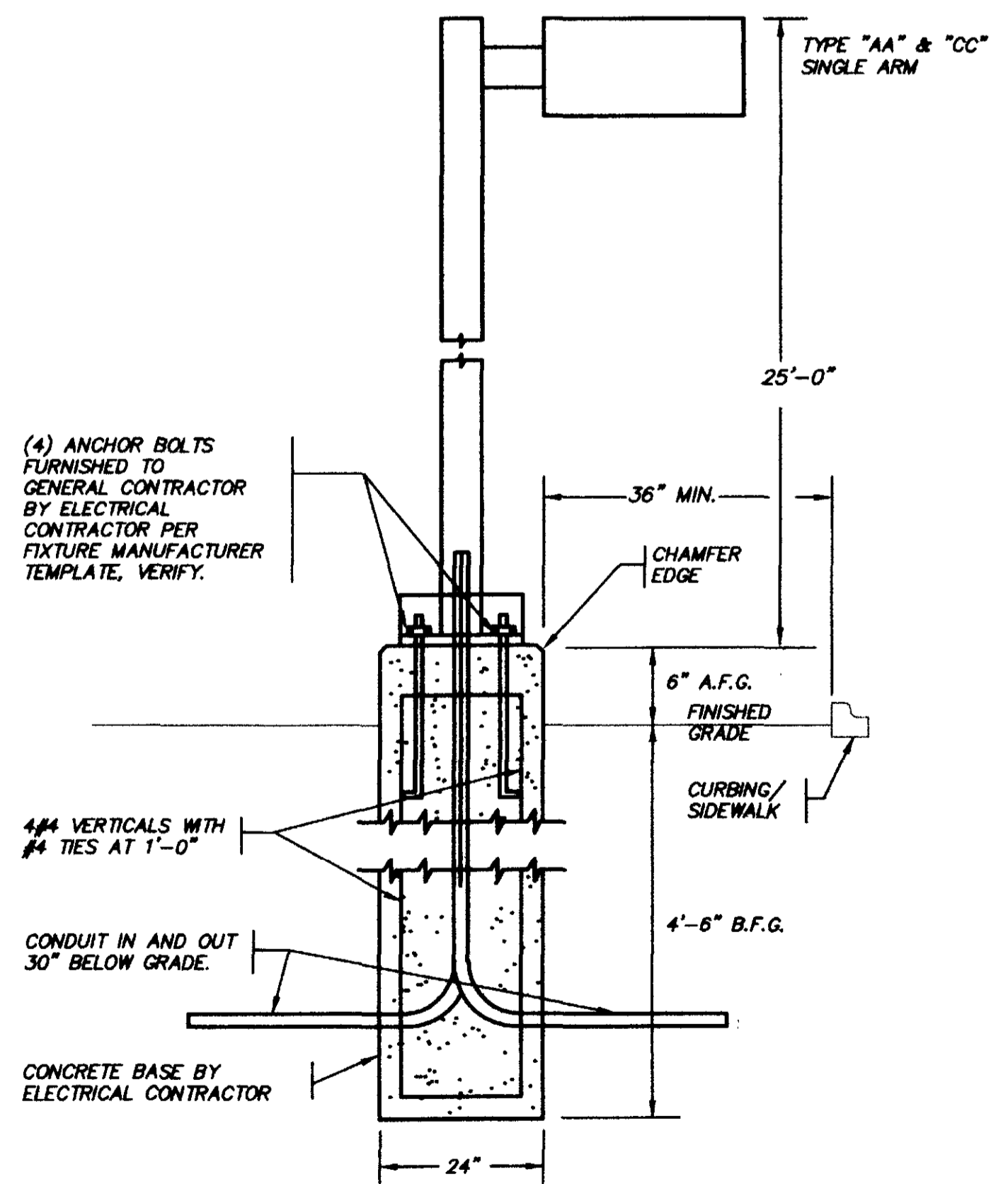
**Contour\***

**Ordering Information**

Qty	Part No.	Description	Notes
100	KAD-100	100-watt metal halide lamp	
100	KAC-100	100-watt metal halide reflector	

**Example: KAD 400M 80 120 SP000 LPI**

TYPE	LAMPS	DESCRIPTION	FINISH	MOUNTING	MANUFACTURER	CAT. NO.	VOLTS
AA	1-250W P.S.M.H.	SINGLE HEAD CUT-OFF TYPE AREA LIGHT WITH TYPE THREE OPTICS	BRONZE	25'-0" POLE (SEE DETAIL)	LITHONIA	KAD 250M-SR3-TB-SP004-LPI-SCWA	208
BB	1-100W P.S.M.H.	WALL MOUNTED CUT OFF TYPE AREA LIGHT WITH FORWARD THROW OPTICS	BRONZE	WALL @ +12'-0"	LITHONIA	WFL2-100M-FT-TB-LPI-SCWA-DOB	208
CC	1-250W P.S.M.H.	SINGLE HEAD CUT-OFF TYPE AREA LIGHT WITH TYPE FOUR OPTICS AND HOUSE SIDE SHEILD	BRONZE	25'-0" POLE (SEE DETAIL)	LITHONIA	KAD 250M-SR4SC-TB-SP004-LPI-SCWA	208



**POLE BASE MOUNTING DETAIL**  
**FIXTURE TYPE "AA" & "CC"**  
SCALE = NONE

**CENTRE AVENUE RESIDENCES**



architecture ■ land planning  
landscape architecture ■ interior design

401 West Mountain Avenue Suite 200 Fort Collins, CO 80521  
tel: 970/224-1862 phone 970/224-1191 www.vfrdesign.com

in association with:  
**APS, INC. ELECTRICAL ENGINEERS**



820 N. Broadway Denver, CO 80202 303-557-1800  
7728 Park Drive Circle Fort Collins, CO 80521 970-356-0288

No.	Description	Date
1	PHOTOMETRIC DESIGN	07-14-00
2	PHOTOMETRIC DESIGN	08-27-00
3	"MYLARS"	10-20-00

No.	Description	Date

Scale

Project No.: 509-08 Drawn by: SJM, ARB  
Reviewed by: RJB, CP

**PHOTOMETRICS PLAN**

Scale Accordingly if Reduced

Drawing Number  
**PM.2**

Drawings, specifications, general notes and outline specifications are instruments of service and shall remain the property of Adonai Professional Services, Inc. (A.K.A. APS, Inc.). Copies of these documents retained by the client are for the client's use in the construction of the project for which these documents were prepared. Any use of these documents, in whole or in part, by any means whatsoever to construct any other project or the use of these documents, in whole or in part, as stock plans or prototype design for multiple building projects is strictly prohibited, except with the specific written consent of APS, Inc.