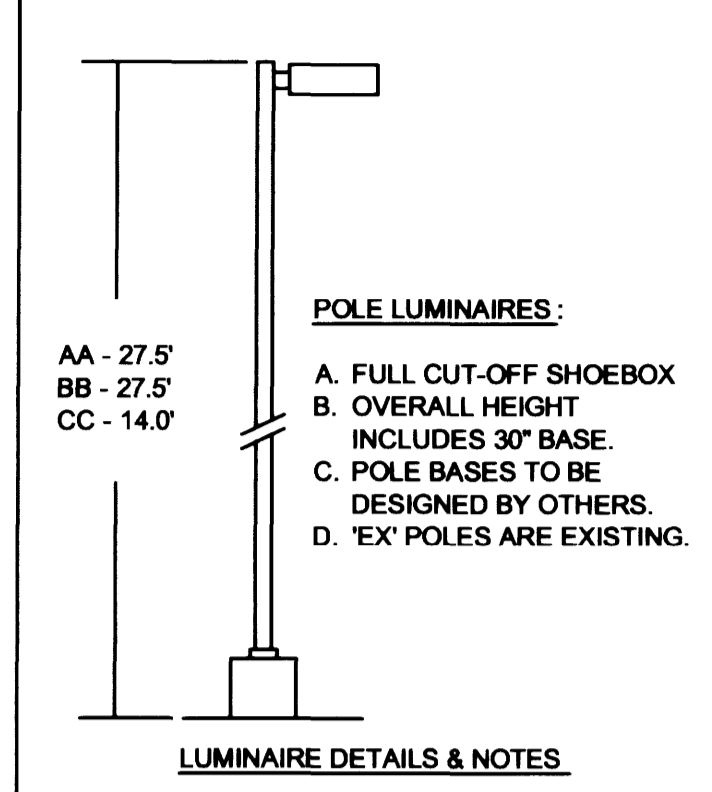
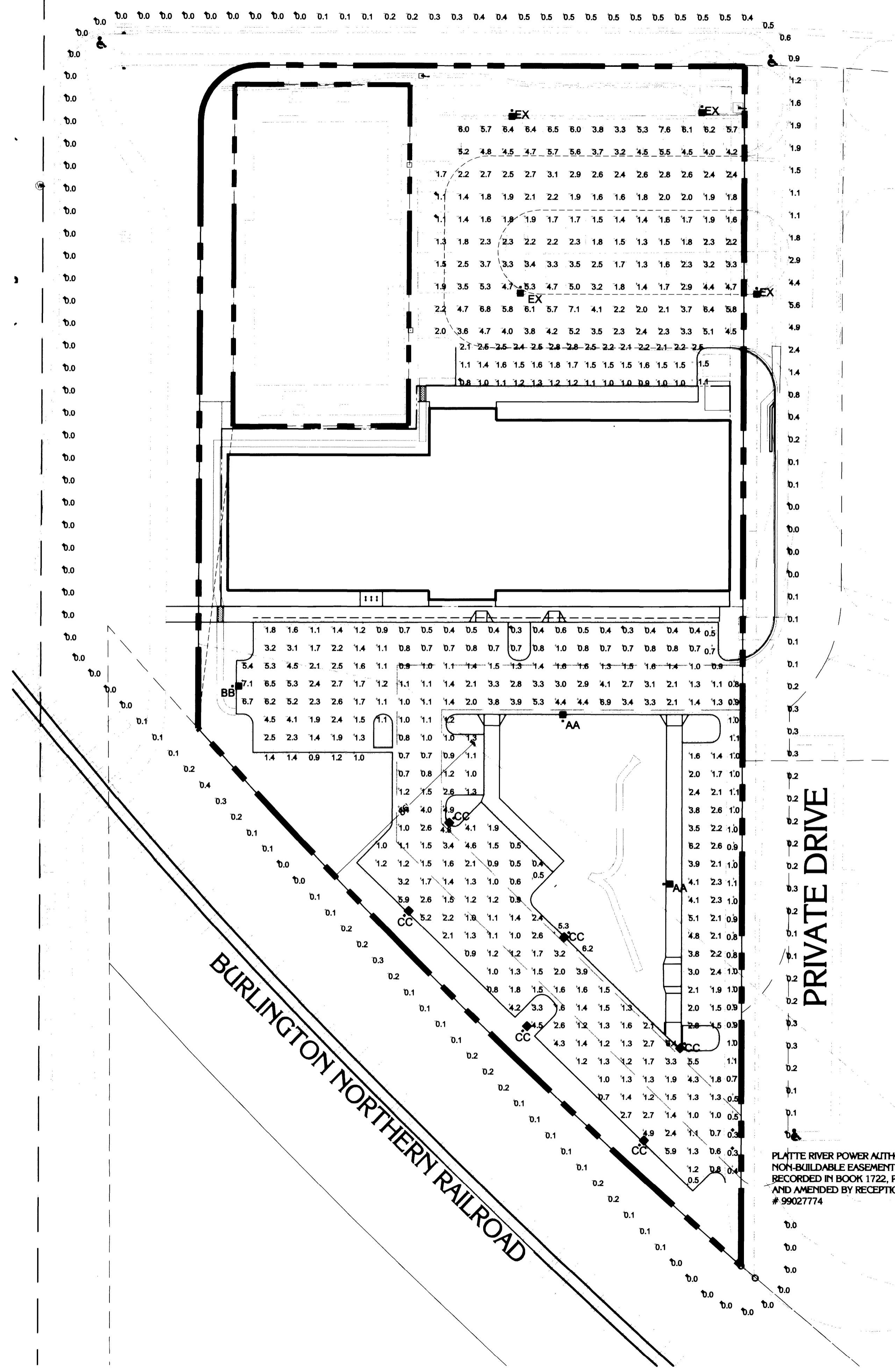


MIDPOINT DR (Industrial Collector)

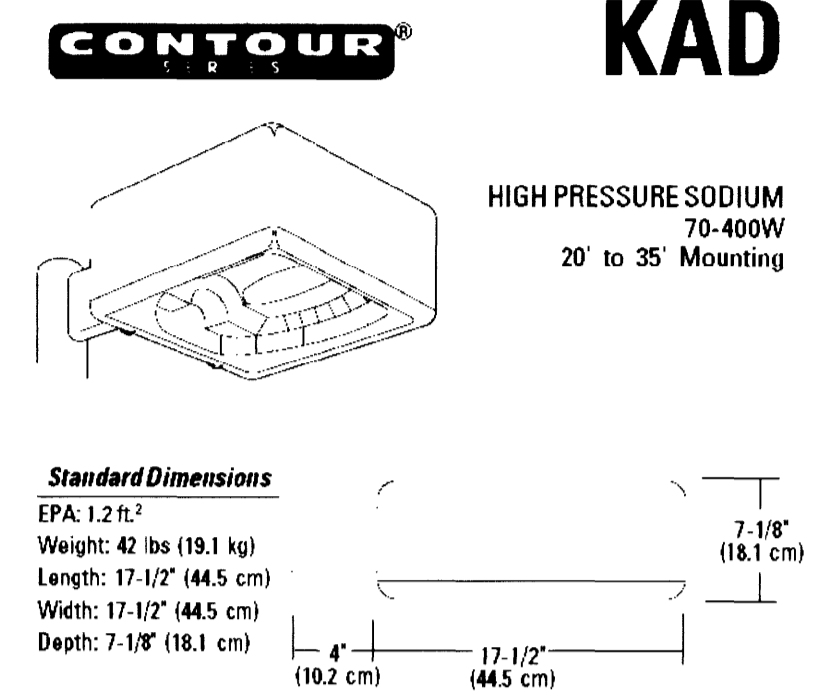


LITHONIA LIGHTING

FEATURES & SPECIFICATIONS
 INTENDED USE: Ideal for parking areas, street lighting, walkways and car lots.
 CONSTRUCTION: Rugged, die-cast, soft corner aluminum housing with 0.12" nominal wall thickness. Extruded 4" soft corner arm for pole or wall mounting is standard. Die cast door frame has impact-resistant, tempered glass lens that is fully gasketed with one-piece tubular silicone.
 FINISH: Standard finish is dark bronze (DOB) polyester powder, with other architectural colors available.
 OPTICAL SYSTEM: Anodized, aluminum hydroformed reflectors: IES full cutoff distributions R2 (asymmetric), R3 (asymmetric), R4 (forward throw) and RSS (square). High-performance anodized, segmented aluminum reflectors IES full cutoff distributions SR2 (asymmetric), SR3 (asymmetric) and SR4SC (forward throw, sharp cutoff). Segmented reflectors attach with tool-less fasteners and are rotatable and interchangeable.
 ELECTRICAL SYSTEM: High reactance, high power factor ballast for 70/100/150W. Constant-wattage autotransformer for 250/400W. Ballast is copper-wound and 100% factory-tested. Porcelain, horizontally oriented, mogul-base socket with copper alloy, nickel-plated screw shell and center contact. UL listed 1500W, 600V, 4KV pulse-rated.
 LISTING: UL Listed (standard). CSA Certified (see Options). UL listed for wet locations. IP65 rated in accordance with standard IEC 529.

ORDERING INFORMATION
 Choose the boldface catalog nomenclature that best suits your needs and write it on the appropriate line. Order accessories as separate catalog number.

Example: **KAD 400S R2 120 SPD04 LPI**



LUMINAIRE LOCATIONS

Label	MH	Tilt
EX	29.0	0.0
AA	27.0	0.0
BB	27.0	0.0
CC	14.0	0.0

Series	Wattage	Voltage	Mounting	Options
KAD	70S 100S 150S 200S 250S 300S 400S	120 200 240 277 347 480 TB ²	SPDM Square pole (4' arm) (standard) SPDM Square pole (6' arm) RPM Round pole (4' arm) RPM Round pole (6' arm) WVWD Wood pole or wall (4' arm) WVWD Wood pole or wall (6' arm) WVWD Wall bracket (4' arm) WVWD Wall bracket (6' arm) LAM (When ordering KMA, DAD, TB) Shipped, separately IMA Mast arm adapter KMB Twin mounting bar DAD/2P Degree arm (Pole) DAD/2W Degree arm (Wall)	Shipped installed in fixture SF Single fuse (120, 277, 347V, via TB) DF Double fuse (200, 240, 480V, via TB) LPI Lamp included as standard LPL Less lamp PER NEMA twist-lock receptacle only (no photocell) ORS Quartz retractor system (250W maximum, lamp not included) R Power Tray WTB Terminal Wiring Block ⁴ CSA CSA Certified Shipped, separately ⁴ PE1 NEMA twist-lock PE (120, 200, 240V) PE3 NEMA twist-lock PE (347V) PE4 NEMA twist-lock PE (480V) PE7 NEMA twist-lock PE (277V) HS House-side shield (R2, R3, R4) KADG Vandal guard KADWG Wire guard KADWA Decorative wall bracket

Accessories: Tenon Mounting Slipfitter
 Order as separate catalog number:
 Number of fixtures
 Tenon O.D. Qty Two @ 180° Two @ 90° Three @ 120° Three @ 90° Four @ 90°
 2-3/8" T20-190 T20-280 T20-290* T20-320* T20-390* T20-490*
 2-7/8" T25-190 T25-280 T25-290* T25-320 T25-390* T25-490*
 4" T35-190 T35-280 T35-290* T35-320 T35-390* T35-490*

Sheet #: KAD-S AL-380

MH - MOUNTING HEIGHTS TO INCLUDE POLE BASE

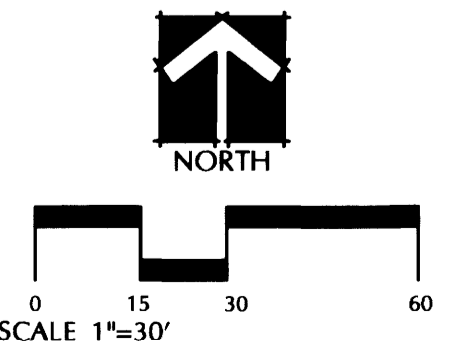
LUMINAIRE SCHEDULE

Symbol	Label	Qty	Catalog Number	Description	Lamp	File	Lumens	LLF	Watts
■	AA	2	LITHONIA KAD 250S SR3 XXX SPD04 SSS25-4C (ON 30" BASE)	AREA LIGHT WITH HIGH PERFORMANCE SR3 OPTICS, CLEAR FLAT GLASS.	ONE 250-WATT CLEAR ET-18 HIGH PRESSURE SODIUM, HORIZONTAL POSITION.	l89497.ies	29000	1.00	310
■	BB	1	LITHONIA KAD 250S R4 XXX SPD04 SSS25-4C (ON 30" BASE)	DIECAST TYPE IV SHOEBOX CUTOFF LUMINAIRE, CLEAR FLAT GLASS.	ONE 250-WATT CLEAR ET-18 HIGH PRESSURE SODIUM, HORIZONTAL POSITION.	91120302.IES	30000	1.00	310
■	CC	6	LITHONIA KAD 100S R3 XXX SPD04 SSS13.5-4C (ON 30" BASE)	DIECAST TYPE III SHOEBOX CUTOFF LUMINAIRE, CLEAR FLAT GLASS.	ONE 70-WATT CLEAR ET-23.5 HIGH PRESSURE SODIUM, HORIZONTAL POSITION.	93111903.IES	6300	1.00	94
■	EX	4	EXISTING LITHONIA KAD 250S R3, 25' POLE ON 4' BASE	DIECAST CUTOFF LUMINAIRE, CLEAR FLAT GLASS.	ONE 250-WATT CLEAR ET-18 HIGH PRESSURE SODIUM, HORIZONTAL POSITION.	92042801.IES	30000	1.00	310

STATISTICS

Description	Symbol	Avg	Max	Min	Max/Min	Avg/Min
20' OFF PROPERTY LINE	+	0.3 fc	5.6 fc	0.0 fc	N / A	N / A
EXISTING NORTH LOT	+	3.2 fc	7.6 fc	1.1 fc	6.9:1	2.9:1
NEW NORTH PARKING	+	1.7 fc	2.8 fc	0.8 fc	3.5:1	2.1:1
NEW SOUTH LOT	+	1.9 fc	7.1 fc	0.3 fc	23.7:1	6.3:1

LIGHTING PLAN
 SCALE 1"=30'



CENTERPOINT PLAZA
FIRST REPLAT
 FINAL DEVELOPMENT PLANS
 FOR COLLINS, COLORADO

JOB NO: 61508
 ACAD FILE: 61508FDP02
 DRAWN: TCH
 CHECKED: TCH
 ISSUE DATE: MAY 16, 2007

REVISIONS DATE
 _____ 08/14/07
 _____ 10/29/08
 _____ 12/16/08
 MYLARS 2/17/09

SHEET TITLE:
 LIGHTING PLAN

SHEET NO:
4 OF **6**

This unofficial copy was downloaded on Jul-21-2019 from the City of Fort Collins Public Records Website: http://citydocs.fcgov.com
 For additional information or an official copy, please contact Engineering Office 281 North College Fort Collins, CO 80521 USA