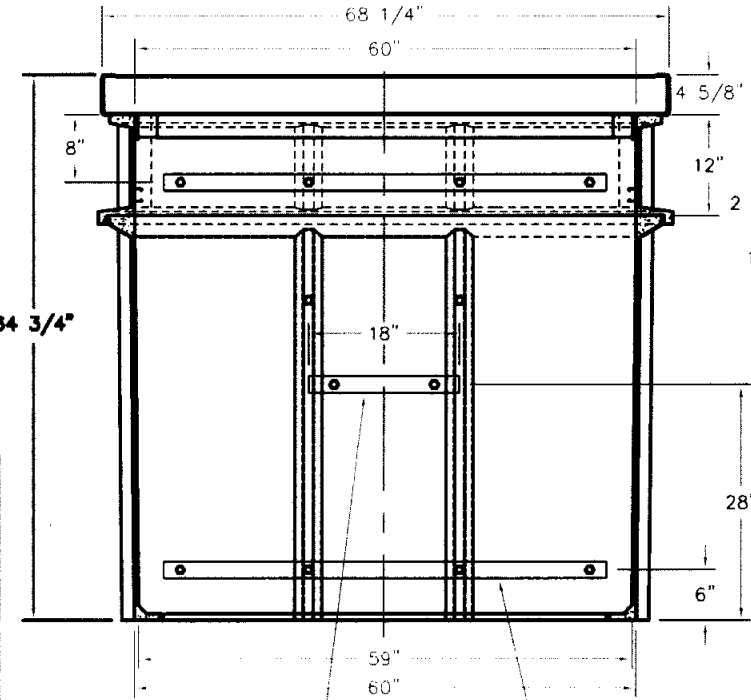
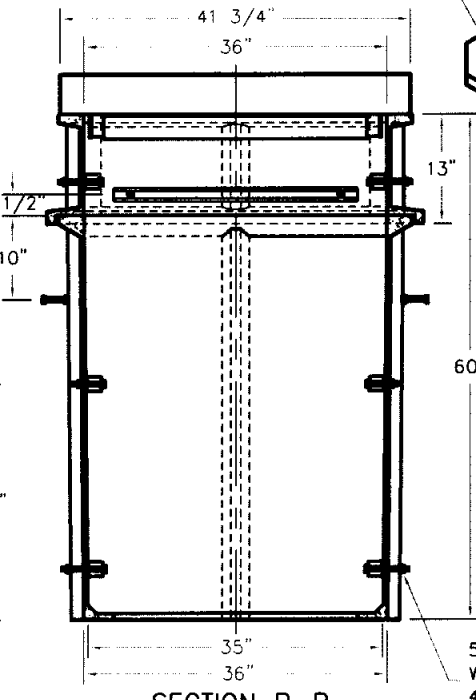


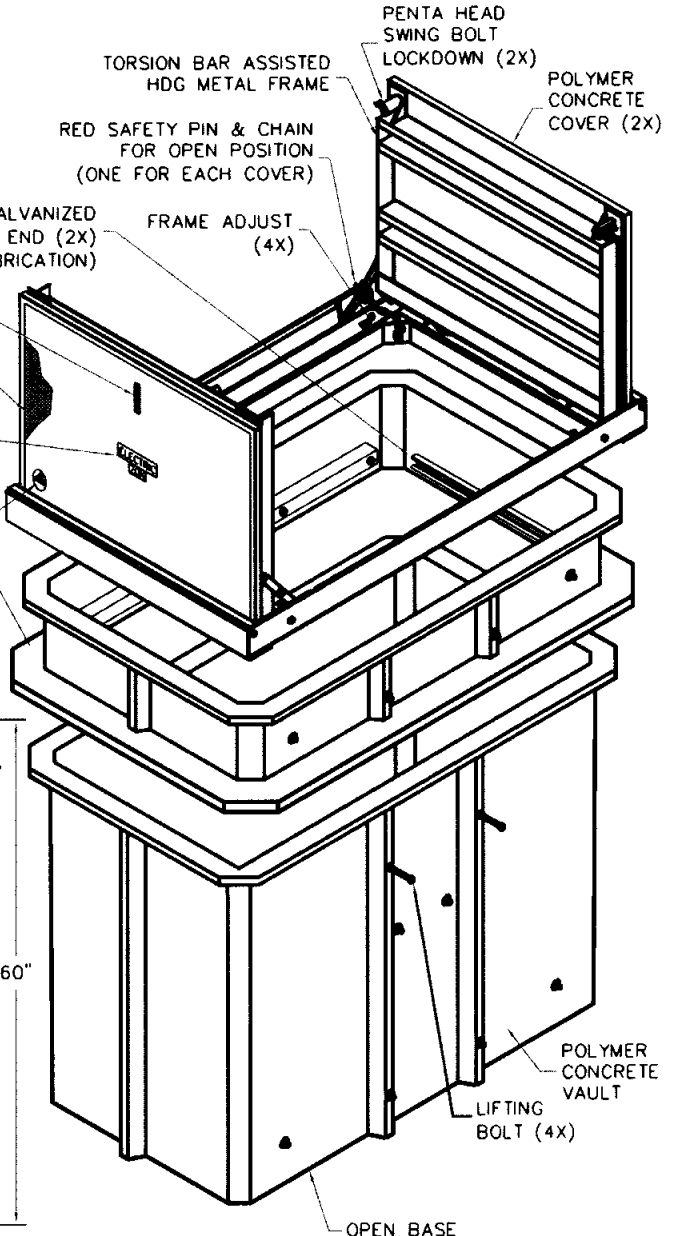
TOP VIEW W/OUT THE COVER



SECTION A-A



SECTION B-B



2"X 2"X 1/4"X 18" LONG FIBERGLASS SQUARE TUBING (2X)

2"X 2"X 1/4"X 53" LONG FIBERGLASS SQUARE TUBING (4X)

5/8" BOLTS W/NUT & WASHER 4 EACH SIDE (20X)

A6-1833TA60MT-FORT COLLINS

		13230 Salford Street, North Hollywood, CA 91605 (818) 982-3800		PART DESCRIPTION 36" X 60" X 60" RPM VAULT ASSEMBLY W/TORSION ASSIST COVER	
CUSTOMER FORT COLLINS UTILITIES				MAX LOAD 20K	
DRAWN OA	DATE 1/04	SCALE NONE	DRAWING NUMBER A6-1833TA60FCU		
<small>THE INFORMATION IN THIS DRAWING IS CONFIDENTIAL. THE DRAWING IS NOT TO BE REPRODUCED OR ITS CONTENTS ENLARGED IN ANY MANNER WHATSOEVER EXCEPT WITH THE PRIOR WRITTEN APPROVAL OF ARMORCAST PRODUCTS COMPANY. IT IS THE PROPERTY OF ARMORCAST PRODUCTS COMPANY.</small>					