



Administrative Services
Purchasing Division

Post-it [®] Fax Note	7671	Date	7/15/02	No. of Pages	3
To	DENNIS BRUNNEN	From	ED BONNETTE		
Co./Dept.	FERGLUSON	Co.	CITY OF FT. COLLINS		
Phone #	482-1722	Phone #	416-2247		
Fax #	482-1729	Fax #	221-6707		

Date: 7/15/02
 Ref #: 13375

THIS IS A PRICE QUOTATION -- NOT AN ORDER

Please supply pricing and delivery information, all items to be quoted FOB Fort Collins, Colorado, as requested below; and respond via FAX BY 7/18/02 3:00 p.m. to:

Ed Bonnette, C.P.M.
 (970) 221-6707

Any questions regarding this inquiry should be directed to Ed Bonnette, (970) 416-2247.

QUANTITY:

DESCRIPTION:

10 each

6 x 7.5" short solid sleeve, Sleeve, solid, M.J., 6 x 7.5 (short) complete with followers, rings & bolts, cement lined, ductile iron, ASTM A536, AWWA C-153, City of Fort Collins #0510-7933, Nappco #1273-0606D, Tyler Pipe Co. #5-644S

\$ 38.00 Ea. \$ 380.00 Total

Mfr. TYLER Mfr. # 081876

Delivery: 4-6 WORKING DAYS

Items being bid meet the above specifications without exception. Yes ___ No ___ If not, please list exceptions, specifying paragraph reference number, on a separate sheet and attach to your bid.

10 each

5 1/4" x 2 1/4" riser for valve box, City of Fort Collins #0512-0705, Tyler Pipe Co. #6850

\$ 13.00 Ea. \$ 130.00 Total

Mfr. TYLER Mfr. # 145547

Delivery: 4-6 WORKING DAYS

Items being bid meet the above specifications without exception. Yes ___ No ___ If not, please list exceptions, specifying paragraph reference number, on a separate sheet and attach to your bid.

90 each

16" valve box top, valve box, 5.25, top section only, screw type 16 (no lid), City of Fort Collins #0512-1363, Tyler #6850-60

\$ 13.00 Ea. \$ 1170.00 Total

Mfr. TYLER Mfr. # 376927

Delivery: 4-6 WORKING DAYS

Items being bid meet the above specifications without exception.
Yes ___ No ___ If not, please list exceptions, specifying paragraph reference number, on a separate sheet and attach to your bid.

25 each

1" I.P. Corp. Stop, Corporation Stop, 1, inlet-I.P. thread, outlet copper, City of Fort Collins #0645-0226, Mueller #H-15028, Ford #F11004-Q, A.Y. McDonald #4704-T1

\$ 15.00 Ea. \$ 375.00 Total

Mfr. AY McDONALD Mfr. # 4704T1

Delivery: 3-4 WORKING DAYS

Items being bid meet the above specifications without exception.
Yes ___ No ___ If not, please list exceptions, specifying paragraph reference number, on a separate sheet and attach to your bid.

20 each

4" Plug, City of Fort Collins #0715-6830, Certainteed #58401, Johns-Manville #0949693, GPK #112-0004, (for bell ends) Vassallo #32671

\$ 1.25 Ea. \$ 25.00 Total

Mfr. GPK Mfr. # 112-0004

Delivery: 2 DAYS

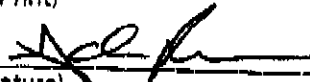
Items being bid meet the above specifications without exception.
Yes X No ___ If not, please list exceptions, specifying paragraph reference number, on a separate sheet and attach to your bid.

Vendor Name: FERGUSON ENTERPRISES

Address: 2321 DONELLA CT. FORT COLLINS, CO 80524

Telephone # 482-1722 FAX # 482-1729

Respondent Name: ADAM ROSEN
(Please Print)

By: 
(Signature)

2 d 1-01 v 1.



2321 DONELLA CT
FORT COLLINS, CO. 80524
970-482-1722
FAX: 970-482-1729

TO: ED Bonnett

FROM: Dean McCracken

DATE: 7/23/02

SUBJECT: YOUR BID # 13375

DATE REQUIRED: _____

THIS SHOULD HELP TO SORT OUT YOUR
QUESTIONS ON THE TYER PARTS. ANY QUESTIONS
PLEASE CALL ME THANKS

Handwritten signature

ADAM'S E-MAIL

ADAM.ROSEN @ FERGUSON.COM

NUMBER OF PAGES INCLUDING COVER: 4

WHOLESALE PLUMBING-PVF-HEATING-BUILDER PRODUCTS*****WWW.FERGUSON.COM

MJ COMPACT

Tyler/Union C153 Mechanical Joint Fittings

LP-5021

UPC #	Ship Code	Size	Less Accessories	With Accessories	Weight	UPC #	Ship Code	Size	Less Accessories	With Accessories	Weight
-------	-----------	------	------------------	------------------	--------	-------	-----------	------	------------------	------------------	--------

MJxPExMJ TEE

385501#	S	6	\$230.00	\$270.00	57
382775#	N	8x6	315.00	359.00	79
382782#	S	8	245.00	293.00	83
382799#	N	10	470.00	534.00	133

MJxSWIVEL TEE (Includes Swivel Gland)

076981	S	6	\$184.00	\$224.00	77
076001	S	8x6	227.00	275.00	99
076025	S	8	265.00	313.00	116
076049	S	10x6	321.00	385.00	113
076063	S	10x8	374.00	438.00	129
076087	S	12x6	393.00	463.00	128
076100	S	12x8	456.00	526.00	149
076124	N	14x6	796.00	940.00	211
076148	S	16x6	890.00	1054.00	248
076162	S	18x6	1760.00	2076.00	278
076186	S	20x6	1658.00	1992.00	358
076209	S	24x6	2566.00	2928.00	458

UPC #	Ship Code	Size	Pallet Quantity	Less Accessories	Weight
VALU-PAK MJxSWIVEL TEE					
383147	S	6	36	\$6425.00	2772
383154	S	8x6	30	6606.00	2970

MJ TEE TAPPED (2" IPT Only) SEE NOTE

080701	S	3	\$74.00	\$106.00	19
080848	S	4	72.00	104.00	23
080985	S	6	90.00	130.00	37
081142	S	8	131.00	179.00	53
081289	S	10	166.00	230.00	68
081425	S	12	212.00	282.00	88
081647	S	16	656.00	820.00	164

PLUG SOLID

082972	S	3	\$21.00	N/A	8
082989	S	4	22.00	N/A	10
082996	S	6	37.00	N/A	18
083009	S	8	53.00	N/A	26
083016	S	10	76.00	N/A	36
083023	S	12	97.00	N/A	46
083030	S	14	255.00	N/A	79
083047	S	16	330.00	N/A	100
083054	S	18	534.00	N/A	130
083061	S	20	574.00	N/A	153
083078	S	24	920.00	N/A	202

PLUG TAPT (2" IPT Only) SEE NOTE

083122	S	3-2	\$38.00	N/A	8
083207	S	4-2	39.00	N/A	10
083283	S	6-2	56.00	N/A	18
083375	S	8-2	70.00	N/A	26
083436	S	10-2	92.00	N/A	36
083504	S	12-2	114.00	N/A	46
083566	N	14-2	284.00	N/A	79
083627	S	16-2	358.00	N/A	100
083665	S	18-2	607.00	N/A	135
083702	N	20-2	685.00	N/A	161
083733	N	24-2	1073.00	N/A	217

SOLID SLEEVE SHORT

081852	S	3	\$38.00	\$70.00	13
081869	S	4	40.00	72.00	17
081876	S	6	58.00	98.00	28
081883	S	8	77.00	125.00	38
081890	S	10	104.00	168.00	49
081906	S	12	118.00	188.00	62
081913	S	14	291.00	435.00	111
081920	S	16	356.00	520.00	137
365556#	S	18	767.00	1083.00	160
365563#	N	20	851.00	1185.00	212
365570#	S	24	1218.00	1580.00	272

SOLID SLEEVE LONG

081937	S	3	\$53.00	\$85.00	19
081944	S	4	55.00	87.00	25
081951	S	6	81.00	121.00	39
081968	S	8	106.00	154.00	53
081975	S	10	134.00	198.00	64
081982	S	12	168.00	238.00	82
081999	S	14	382.00	526.00	141
082002	S	16	449.00	613.00	172
082019	S	18	954.00	1270.00	200
082026	S	20	985.00	1299.00	269
082033	S	24	1352.00	1714.00	368

UPC #	Ship Code	Size	Pallet Quantity	Less Accessories	Weight
VALU-PAK SOLID SLEEVE LONG					
374633	S	4	144	\$7682.00	3600
374640	S	6	64	5028.00	2496
374657	S	8	48	4935.00	2544
374664	S	10	36	4679.00	2304
374671	S	12	24	3911.00	1968

NOTE - For Tapped Tees, Plugs and Caps Only:
 For taps of other location, size or type, add \$50.00 to the tapped list price. All taps other than 2" IPT are UFCO special order, non-cancellable and non-returnable. We stock 2" IPT taps only. Contact CSR for taps above 3".

#Manufactured at UFCO or Clow

S - From Stock to 2 weeks N - Non-Stock; Check for availability. All weights exclude accessories.

TYLER PIPE/UTILITIES DIVISION • BOX 2027 • TYLER, TEXAS 75710 • (800) 527-8478 • FAX ORDERS TO (800) 248-8637
 UNION FOUNDRY COMPANY • BOX 309 • ANNISTON, ALABAMA 38202 • (800) 226-7601 • FAX ORDERS TO (800) 228-0806

Tyler / Union
 Tyler Pipe / Union Foundry
 Tyler TX / Anniston AL

LP-5021
6850 SERIES

CAST IRON TWO-PIECE VALVE BOXES
 5 1/4" shaft, screw-type

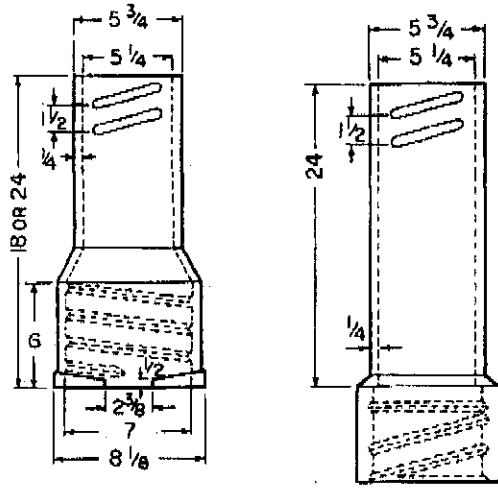
LEVEL TWO-Parts Not Assembled/Less Lids

Practical Ways To Control Inventory

TOPS & BOTTOMS

Box (Components)	Tops (less lids)					Bottoms				Extensions	
	Assy Height	UPC No. 670610	Lgt	Wt	List Each	UPC No. 670610	Lgt	Wt	List Each	UPC No. 670610	List Each
461-S(10T+15B)	19-22	144939	10T	22	20.75	145004	15B	27	25.10		
462-S(10T+24B)	27-32	144939	10T	22	20.75	145011	24B	35	36.05		
562-S(16T+24B)	27-37	144946	16T	36	29.50	145011	24B	35	36.05		
563-S(16T+30B)	33-43	144946	16T	36	29.50	144991	30B	42	39.30		
564-S(16T+36B)	39-50	144946	16T	36	29.50	145028	36B	49	45.85		
662-S(26T+30B)	36-52	144953	26T	51	49.15	144991	30B	42	39.30		
664-S(26T+36B)	39-60	144953	26T	51	49.15	145028	36B	49	45.85		
666-S(26T+24B+#60 Ext)	51-71	144953	26T	51	49.15	145011	24B	35	36.05	145059	40.40
668-S(26T+36B+#60 Ext)	62-82	144953	26T	51	49.15	145028	36B	49	45.85	145059	40.40

LIDS & RISERS:
 All Lidspage 42
 All Riserspage 43



58 & 59 Extension 60 Extension

EXTENSIONS

Item/Description	UPC No. 670610	Height Increase	Wt	List Price
#58 Screw-Type	145141	14	29	32.75
#59 Screw-Type	145158	18	30	38.20
#60 Screw-Type	145059	24	37	40.40

LEVEL THREE

Valu-Pak crates of tops and bottoms, not assembled, less lids. Lowest unit cost/easy to handle/ships from stock.

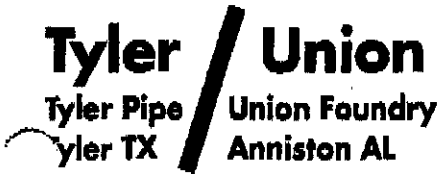
TOPS OR BOTTOMS

Box (Components)	Tops (less lids)						Bottoms				
	Assy Height	UPC No. 670610	Lgt	Wt	Qty	List Crate	UPC No. 670610	Lgt	Wt	Qty	List Crate
461-S(10T+15B)	19-22	376910	10T	1760	80	1577.00	376941	15B	1080	40	954.00
462-S(10T+24B)	27-32	376910	10T	1760	80	1577.00	376958	24B	1050	30	1028.00
562-S(16T+24B)	27-37	376927	16T	2160	60	1682.00	376958	24B	1050	30	1028.00
563-S(16T+30B)	33-43	376927	16T	2160	60	1682.00	376965	30B	1260	30	1120.00
564-S(16T+36B)	39-50	376927	16T	2160	60	1682.00	376972	36B	1470	30	1307.00
662-S(26T+30B)	36-52	376934	26T	1530	30	1401.00	376965	30B	1260	30	1120.00
664-S(26T+36B)	39-60	376934	26T	1530	30	1401.00	376972	36B	1470	30	1307.00
666-S(26T+24B+#60 Ext)	*51-71	376934	26T	1530	30	1401.00	376958	24B	1050	30	1028.00
668-S(26T+36B+#60 Ext)	*62-82	376934	26T	1530	30	1401.00	376972	36B	1470	30	1307.00

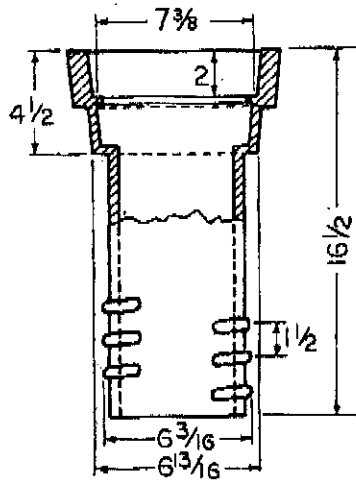
*Extensions (Required on 666-5 & 668-5)

#60 Screw-Type
 24" Height Increase 376989 1080 30 1151.00

NOTES: To get equal numbers, order two crates of bottoms for each crate of tops for 461, 562, 563 and 564. Order lids separately, see above.

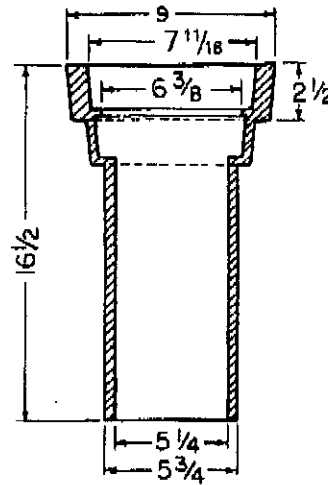


**LP-5021
FIXED & ADJUSTABLE RISERS**



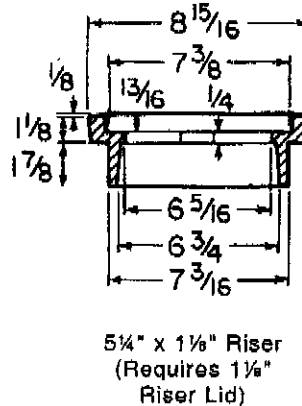
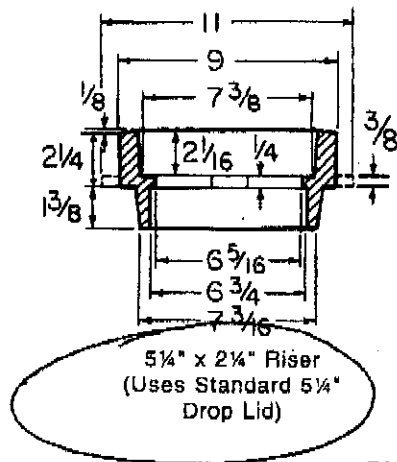
**#69 SCREW TYPE ADJUSTABLE RISER FOR
6850/60 SERIES
(Uses Standard Drop Lid)**

UPC No	Ship Code	Height Increase	Weight	List Price
670610				
48197	S	2 1/2"-9"	29	38.20



**#69-A SLIP TYPE ADJUSTABLE RISER FOR
6855 SERIES
(Uses Standard Drop Lid)**

UPC No	Ship Code	Height Increase	Weight	List Price
670610				
148241	S	2 1/2"-12"	29	38.20



RISERS

Item/Description	UPC No.	Height Increase	Weight	List Price
5 1/4 x 1 1/8 Slip-In*	145554	1 1/8"	9	25.10
5 1/4 x 2 1/4 Slip-In	145547	2 1/4"	16	25.10

*Use with 1 1/8" Lid Only.



FEI FORT COLLINS #112
 IN THE CITY LIMITS
 2321 DONELLA COURT
 FORT COLLINS, CO 80524

Deliver To: ED BONNETTE
From: Adam Rosen
Comments: ED,
 THANKS AGAIN.....HOW ARE YOU DOING ON YOUR
 DFW PITS. LET ME KNOW IF YOU NEED #'S.

13:40:59 JUL 18 2002

FERGUSON ENTERPRISES, INC.

FEI # 109

Price Quotation

Page # 1

Phone : 970-482-1722

Fax : 970-482-1729

Bid No.....: B00051

Bid Date.....: 07/15/02

Quoted By..: AJR

Cust Phone: 970-416-2273

Terms.....: NET 10TH PROX

Customer: CITY OF FORT COLLINS
 P.O. BOX 580
 FORT COLLINS, CO 80521

Ship To: CITY OF FORT COLLINS
 P.O. BOX 580
 FORT COLLINS, CO 80521

Cust PO#....: ED BONNETTE

Job Name: BID #13375

Item	Description	Quantity	Net Price	UM	Total
PROJECT: BID #13375 SPEC: PROVIDED BY ED B. BID EXPIRES: 08/30/02 ----- --- --- MATERIAL LIST - -----					
MJSSU	6 MJ C153 SHORT SLV W/A SUBTOTAL	10	38.000	EA	380.00 380.00
DVBR214	5-1/4X2-1/4 VLV BX RSR SUBTOTAL	10	13.000	EA	130.00 130.00
DVBSTS16	16 SC VLV BX TOP SECT SUBTOTAL	90	13.000	EA	1170.00 1170.00
M4704TG	1 MPT X CTS COMP CORP ST SUBTOTAL	25	15.000	EA	375.00 375.00
PSPP	4 PVC SWR PLUG SUBTOTAL	20	1.250	EA	25.00 25.00
Net Total:					2080.00
Tax:					0.00
Total:					2080.00



FERGUSON ENTERPRISES, INC.

FEI # 109

Price Quotation

Page # 2

Phone : 970-482-1722

Fax : 970-482-1729

13:40:59 JUL 18 2002

Reference No: B00051

Quoted prices are based upon receipt of the total quantity for immediate shipment or shipments within thirty (30) days of a bid opening only, and are offered contingent upon the Buyer's acceptance of Seller's terms and conditions. Seller objects to all other terms and conditions. Future shipments subject to price changes. Seller not responsible for delays by causes beyond our control. Purchaser's sole warranties, if any, are those provided by the manufacturer. SELLER DISCLAIMS ALL EXPRESS OR IMPLIED WARRANTIES, INCLUDING ALL IMPLIED WARRANTIES OF MERCHANTABILITY AND FITNESS OR FITNESS FOR A PARTICULAR PURPOSE. IN NO EVENT WILL SELLER BE LIABLE FOR ANY INCIDENTAL, PUNITIVE, SPECIAL OR CONSEQUENTIAL DAMAGES ARISING DIRECTLY OR INDIRECTLY FROM THE OPERATION OR USE OF THE PRODUCT. SELLER'S LIABILITY, IF ANY, SHALL BE LIMITED TO THE NET SALES PRICE RECEIVED BY SELLER. Complete Terms and Conditions are available upon request or can be viewed on the web at www.ferguson.com/salesterms.html.